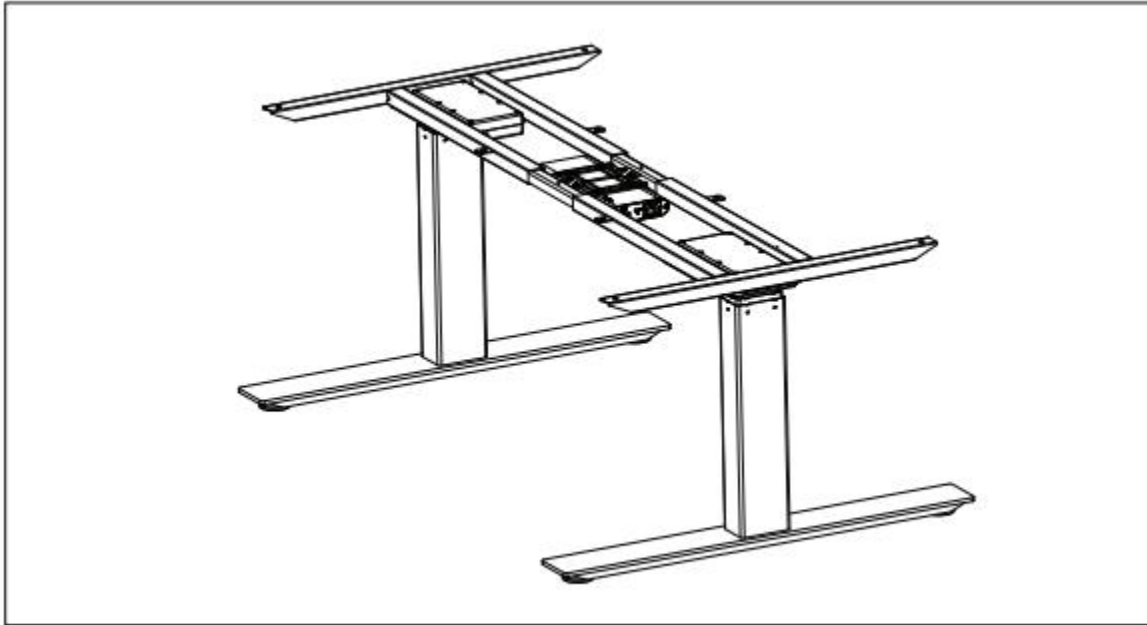




TITAN
FITNESS



OWNER'S MANUAL

MPN(s): A6FRAME

SKU(s): 403022

UPC(s): 049008262331



Please provide this operation to any users, installer, or support personnel operating the product.
Inappropriate use of this product may cause property or bodily injury. Do not move around, crawl or lie under the desk frame. Do not sit or stand on the desk frame.
Check that no cables can get jammed.
The desk height is adjustable so that it can be positioned at the most ergonomically suitable height. The desk are designed only for the purposes included in this manual. They should not be used in environments with high humidity or dampness.

A6 series parameter instruction

Electric Control Part:

Input Voltage: 100-240V can be use

Output Voltage: 24V DC

Duty cycle: 10% MAX 2min on 18 min off

Switch power supply, low energy consumption

Manual device can move and long press

Desk frame part:

built-in limit switch

Dynamic load: 120KG

The maximum static load: 140KG

Load speed: 30mm/s

Lift range: 620mm---1270mm

The length of the adjusting range: 1100mm~1600mm

Other part:

Packing Size : 1080*270*325mm 1Set

Gross weight: 45KG

Safety and warnings

This appliance can be used by children aged from 8 years and above and persons with reduced physical, sensory or mental capabilities or lack of experience and knowledge if they have been given supervision or instruction concerning use of the appliance in a safe way and understand the hazards involved. Children shall not play with the appliance. Cleaning and user maintenance shall not be made by children without supervision.

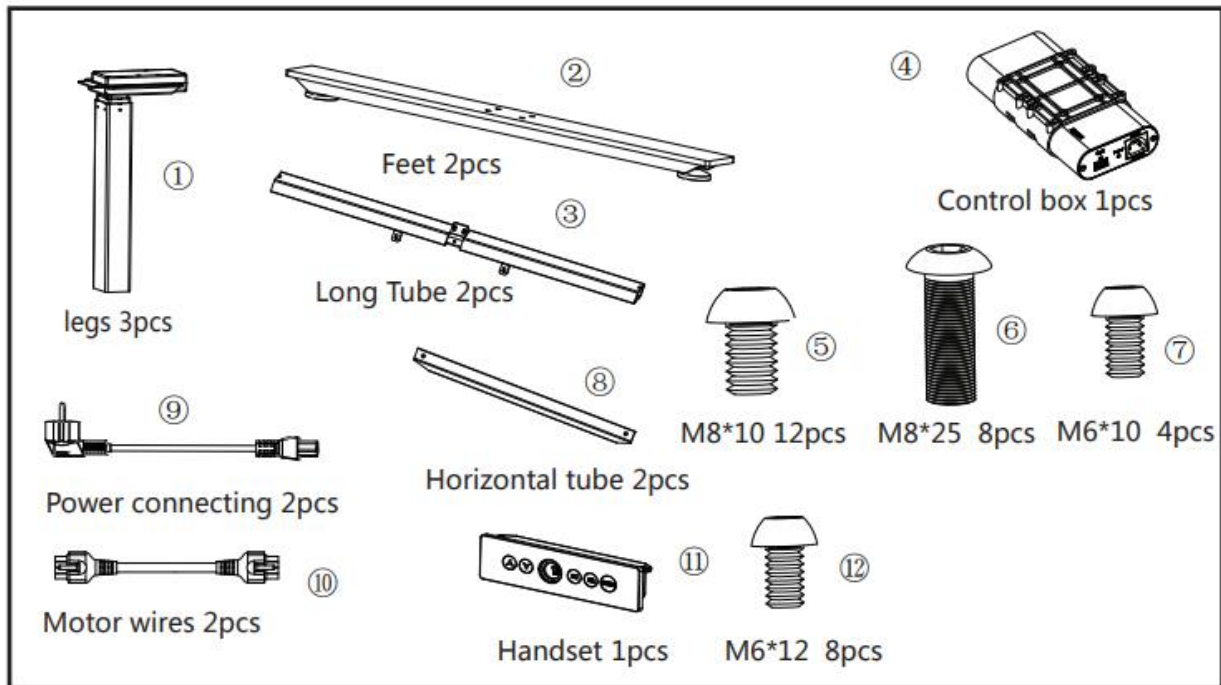
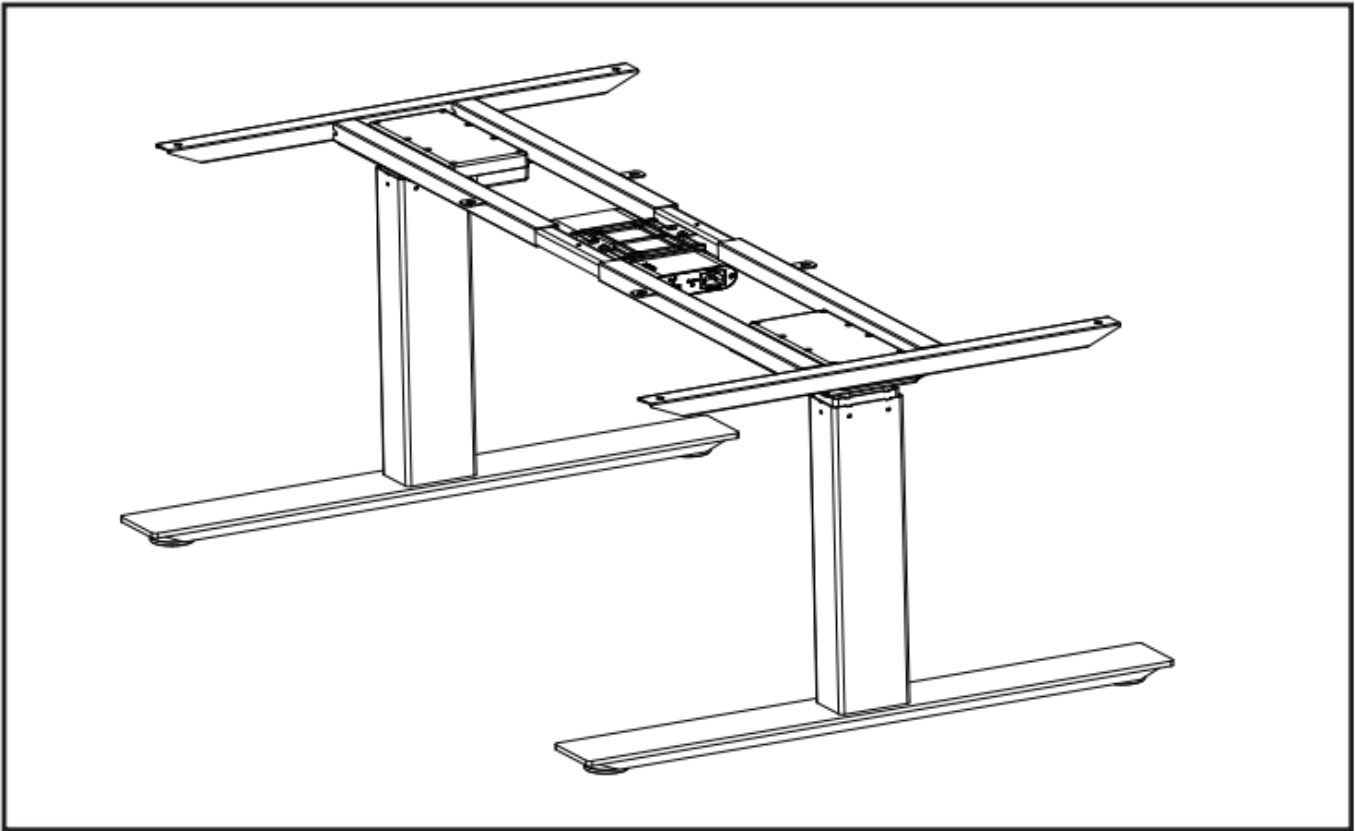


Correct Disposal of this product



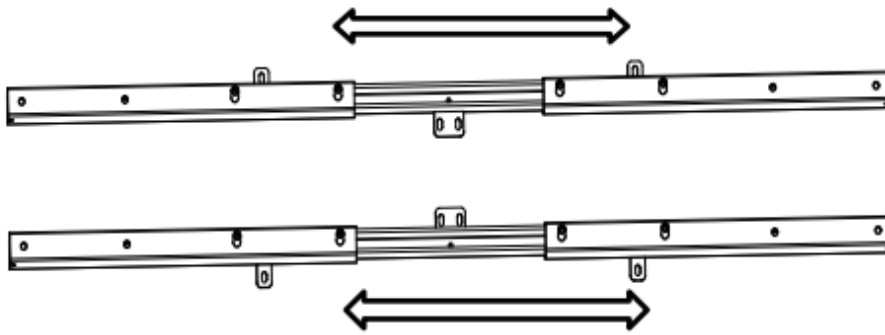
This marking indicates that this product should not be disposed with other household wastes throughout the EU. To prevent possible harm to the environment or human health from uncontrolled waste disposal, recycle it responsibly to promote the sustainable reuse of material resources. To return your used device, please use the return and collection systems or contact the retailer where the product was purchased. They can take this product for environmental safe recycling.

PARTS DIAGRAM / EXPLODED VIEW



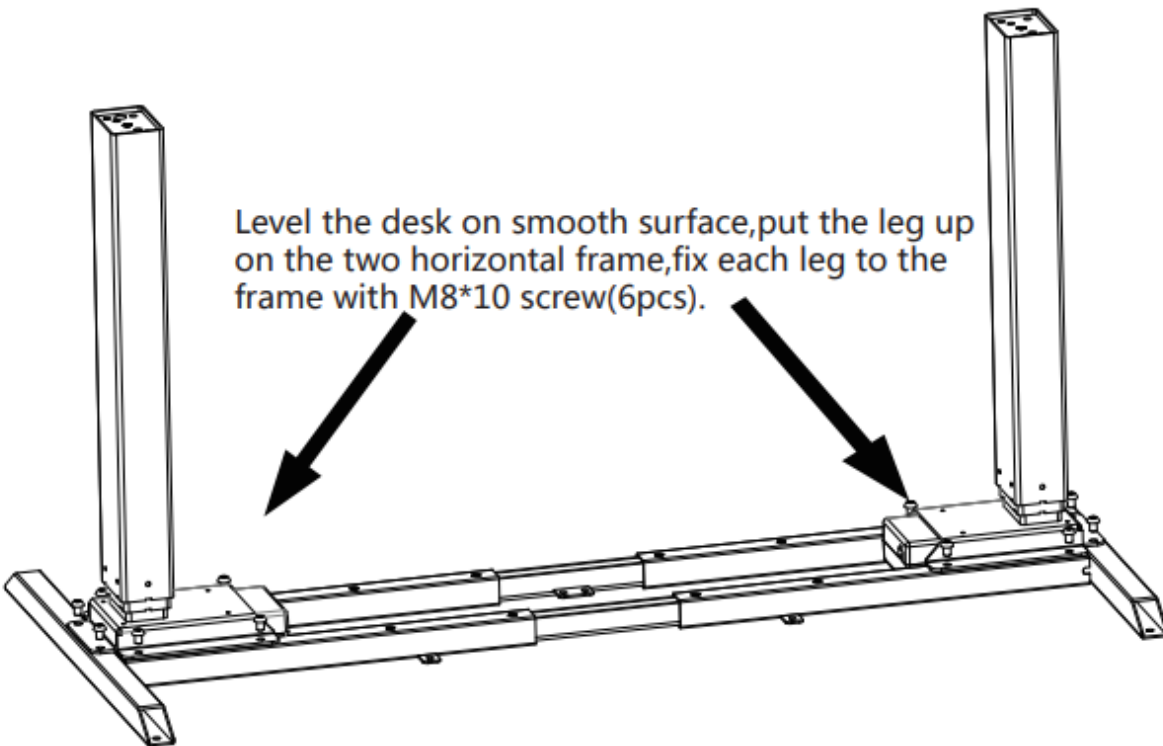
ASSEMBLY INSTRUCTIONS

Loose the eight screw and adjust to the target length then screw up.



1. Adjust the frame length according the desktop size.

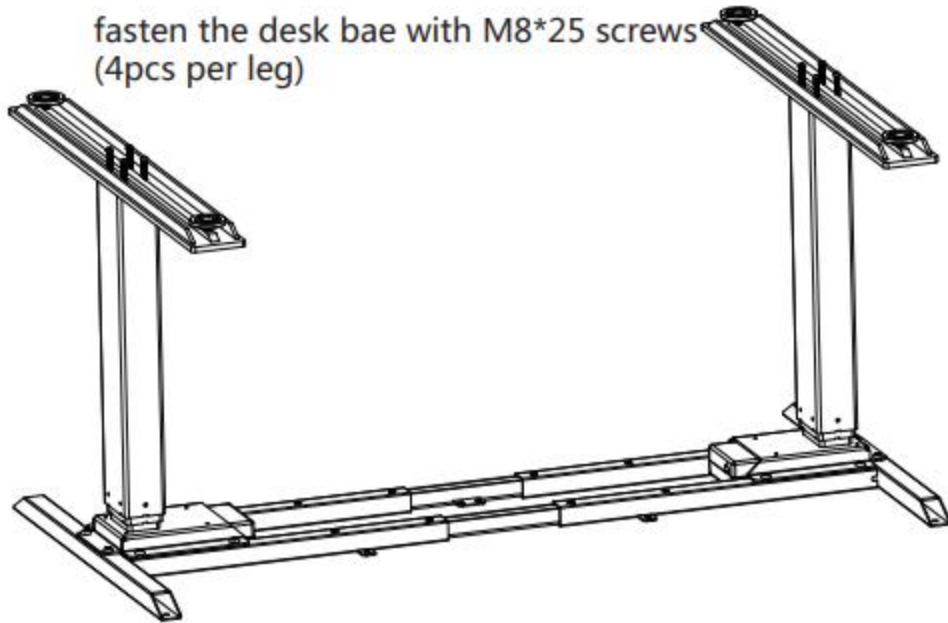
Level the desk on smooth surface, put the leg up on the two horizontal frame, fix each leg to the frame with M8*10 screw(6pcs).



2. Install table legs(2pcs) and horizontal tube(2pcs)

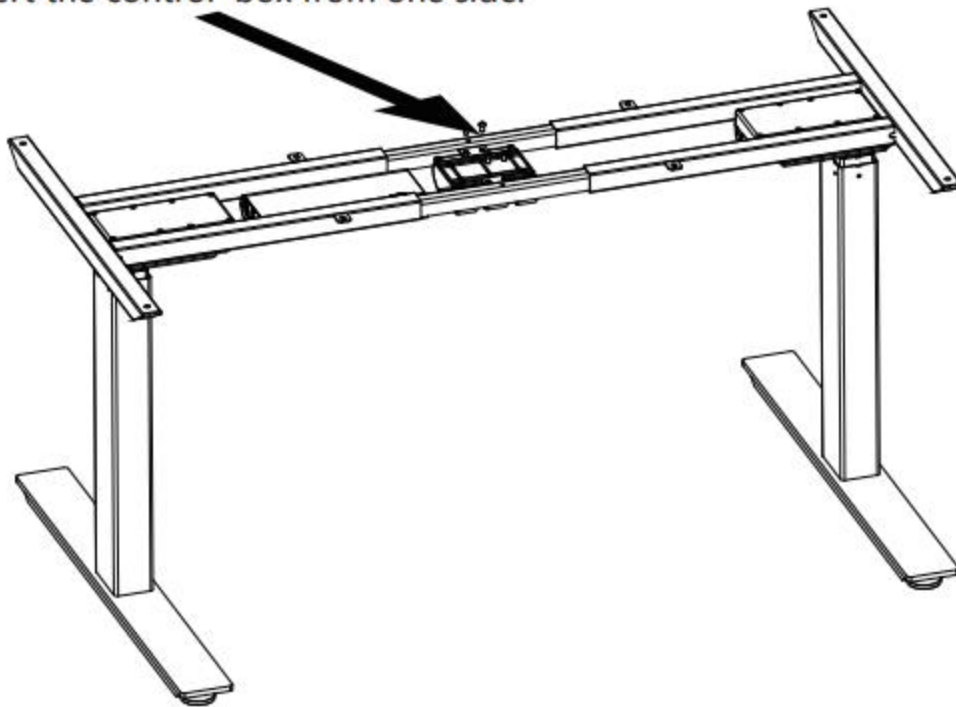


fasten the desk base with M8*25 screws
(4pcs per leg)



3.Install desk feet(2pcs)

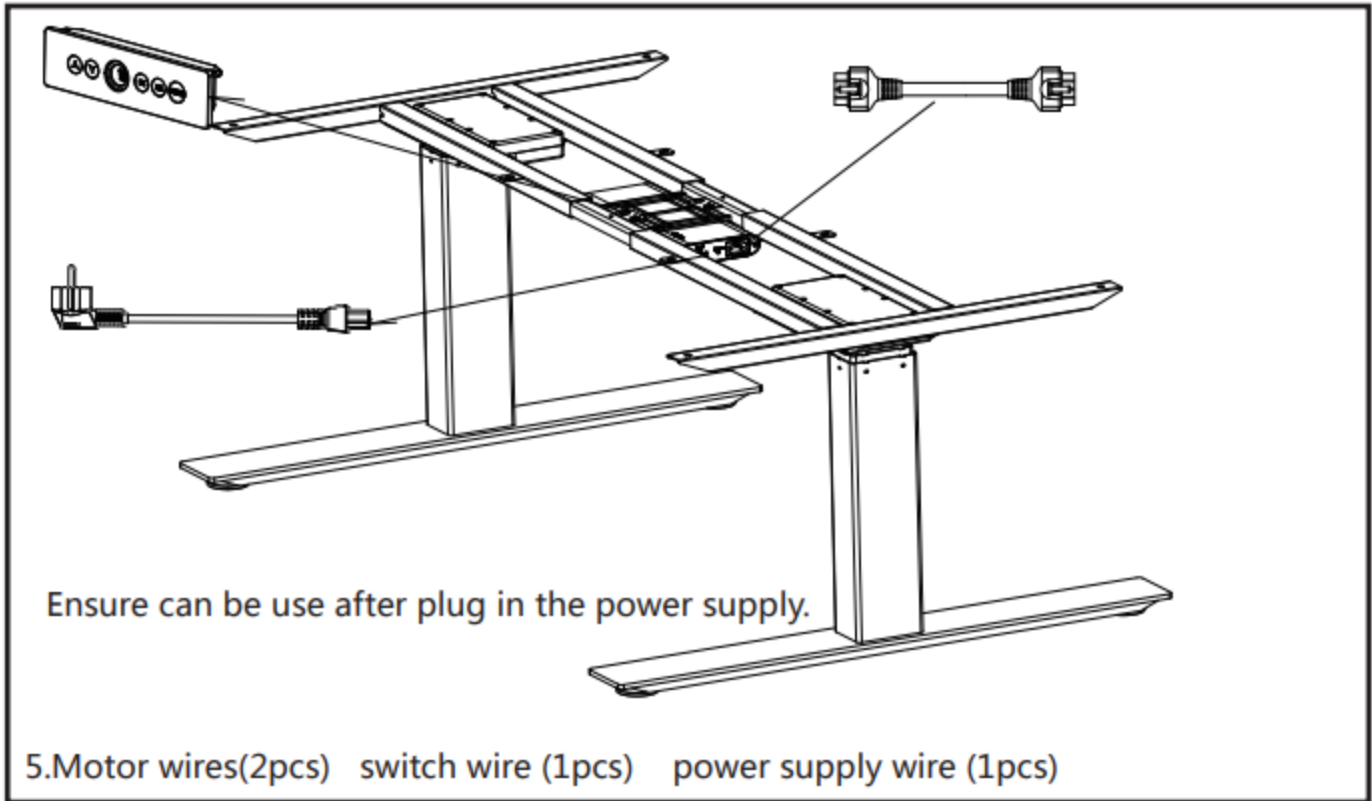
Firstly install, the controller bracket with M6*10 screw(4pcs)
then insert the control box from one side.



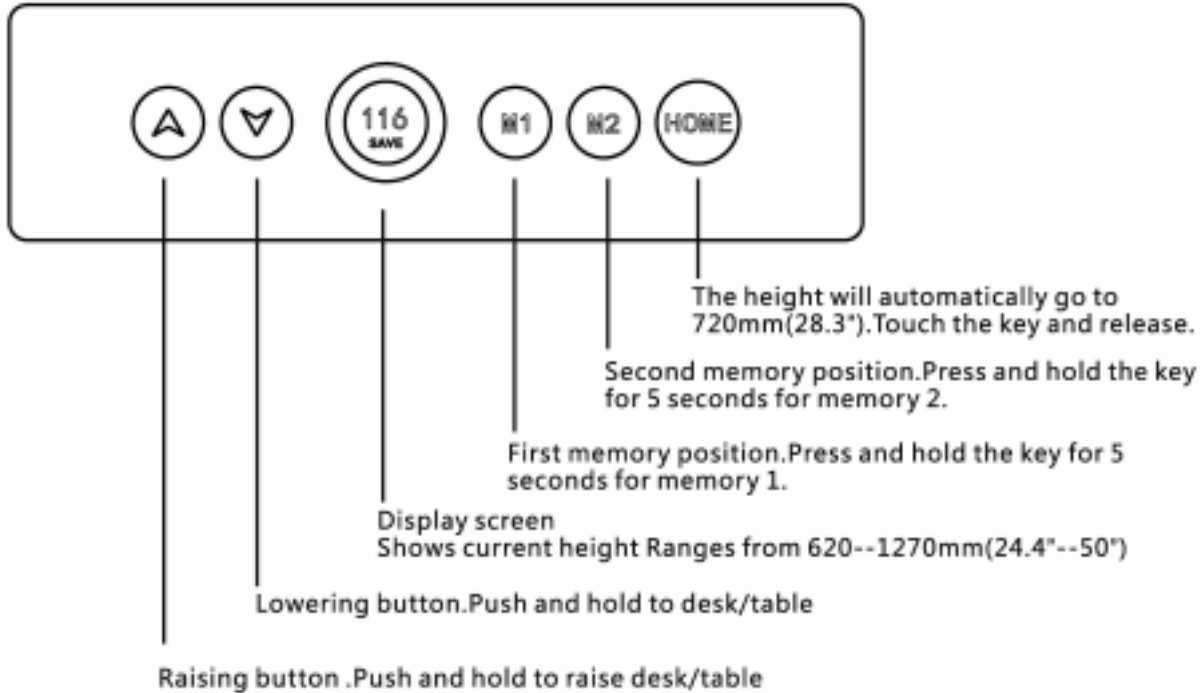
4.Installation controller bracket



OPERATION INSTRUCTIONS



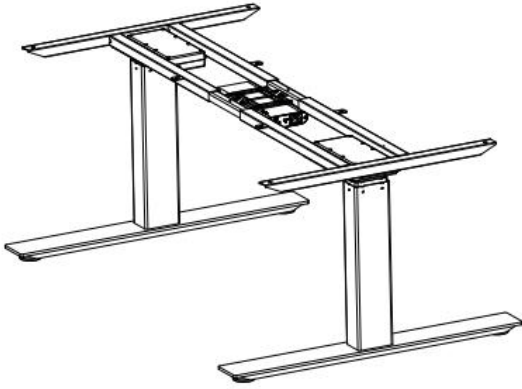
Handset Usage Instructions



Mode of operation

- 1.Lightly touch up/down button and hold the key to rise and low the desk height
- 2.Press HOME button and quickly release to move the base height(without work surface) to a normal desk height of 28.3".
- 3.To set M1 and M2 height memories press and hold key in for 5 seconds.
Once set in memory,quickly press M1 or M2 to achieve programmed in height.
- 4.After 30 seconds of not touching the keypad,display screen lights will turn off.
- 5.To start keypad push either up or down to light up.





This concludes the A6FRAME Owner's Manual.

If applicable to your product, make sure to tighten all nut-and-bolt combinations before use.

Enjoy!

DISCLAIMER

This equipment must be used with care by capable and competent individuals under supervision, if necessary.

The use of any fitness equipment, including this one, involves the potential risk of injury. You accept and assume full responsibility for any and all injuries, damages (both economic and non-economic), and losses of any type, which may occur, and you fully and forever release and discharge Titan, its insurers, employees, officers, directors, associates, and agents from any and all claims, demands, damages, rights of action, or causes of action, present or future, whether the same be known or unknown, anticipated, or unanticipated, resulting from or arising out of the use of said equipment.

TITAN MAKES NO WARRANTY WHATSOEVER WITH RESPECT TO THE EQUIPMENT, INCLUDING ANY WARRANTY OF MERCHANTABILITY OR WARRANTY OF FITNESS FOR A PARTICULAR PURPOSE, WHETHER EXPRESS OR IMPLIED BY LAW, COURSE OF DEALING, COURSE OF PERFORMANCE, USAGE OF TRADE OR OTHERWISE. BUYER ASSUMES ALL LIABILITY IN USE OF THE EQUIPMENT.

NEED HELP?

CONTACT US FIRST.

1 (800) 605-8241

info@titandistributorsinc.com / www.titan.fitness

Business Hours: Monday–Friday • 8:00 a.m.–5:00 p.m. (CT)

