



TITAN
FITNESS



OWNER'S MANUAL


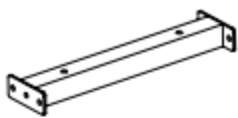




MPN(s): SQTRLR

SKU(s): 409010





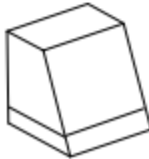
UPC(s): 719318367506

PARTS DIAGRAM / EXPLODED VIEW

PARTS LIST

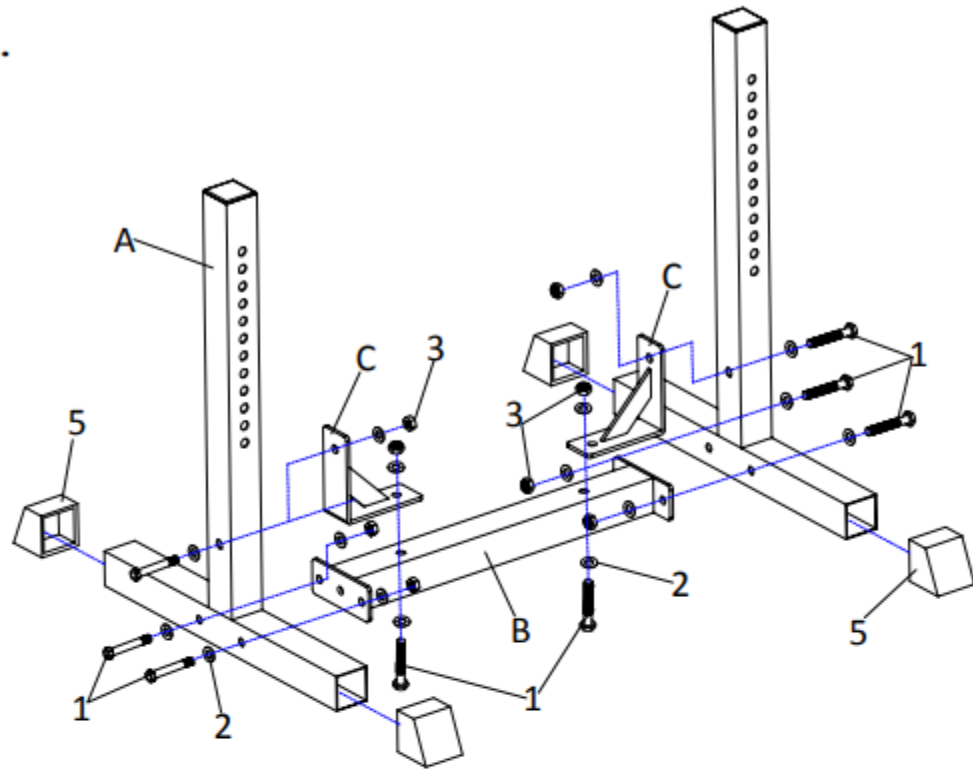
A STAND FRAME 2PCS 	B CONNECT TUBE 1PC 	C SUPPORT PLATE 2PCS 
D ADJUSTABLE FRAME 2PCS 	E FOAM TUBE 1PC 	F FOAM 1PC 

HARDWARE LIST

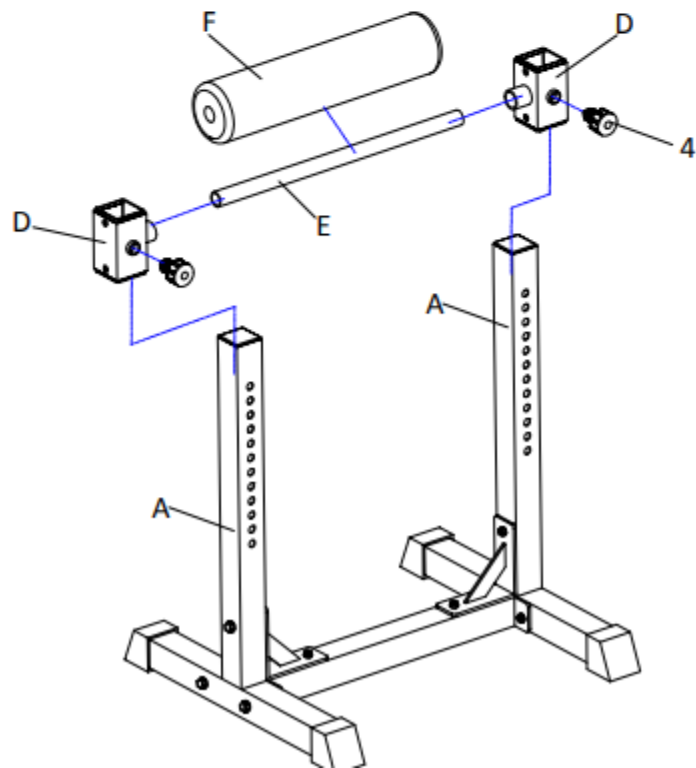
1 BOLT(M10*70) 8PCS 	2 WASHER(M10) 16PCS 	3 NYLON NUT(M10) 8PCS 
4 QUICK PIN 2PCS 	5 FOOT CAP 4PCS 	

ASSEMBLY INSTRUCTIONS

STEP 1.



STEP 2.





This concludes the SQTRLR Owner's Manual.

If applicable to your product, make sure to tighten all nut-and-bolt combinations before use.

Enjoy!

DISCLAIMER

This equipment must be used with care by capable and competent individuals under supervision, if necessary.

The use of any fitness equipment, including this one, involves the potential risk of injury. You accept and assume full responsibility for any and all injuries, damages (both economic and non-economic), and losses of any type, which may occur, and you fully and forever release and discharge Titan, its insurers, employees, officers, directors, associates, and agents from any and all claims, demands, damages, rights of action, or causes of action, present or future, whether the same be known or unknown, anticipated, or unanticipated, resulting from or arising out of the use of said equipment.

TITAN MAKES NO WARRANTY WHATSOEVER WITH RESPECT TO THE EQUIPMENT, INCLUDING ANY WARRANTY OF MERCHANTABILITY OR WARRANTY OF FITNESS FOR A PARTICULAR PURPOSE, WHETHER EXPRESS OR IMPLIED BY LAW, COURSE OF DEALING, COURSE OF PERFORMANCE, USAGE OF TRADE OR OTHERWISE. BUYER ASSUMES ALL LIABILITY IN USE OF THE EQUIPMENT.

NEED HELP?

CONTACT US FIRST.

1 (800) 605-8241

info@titandistributorsinc.com / www.titan.fitness

Business Hours: Monday–Friday • 8:00 a.m.–5:00 p.m. (CT)

