



TITAN
FITNESS



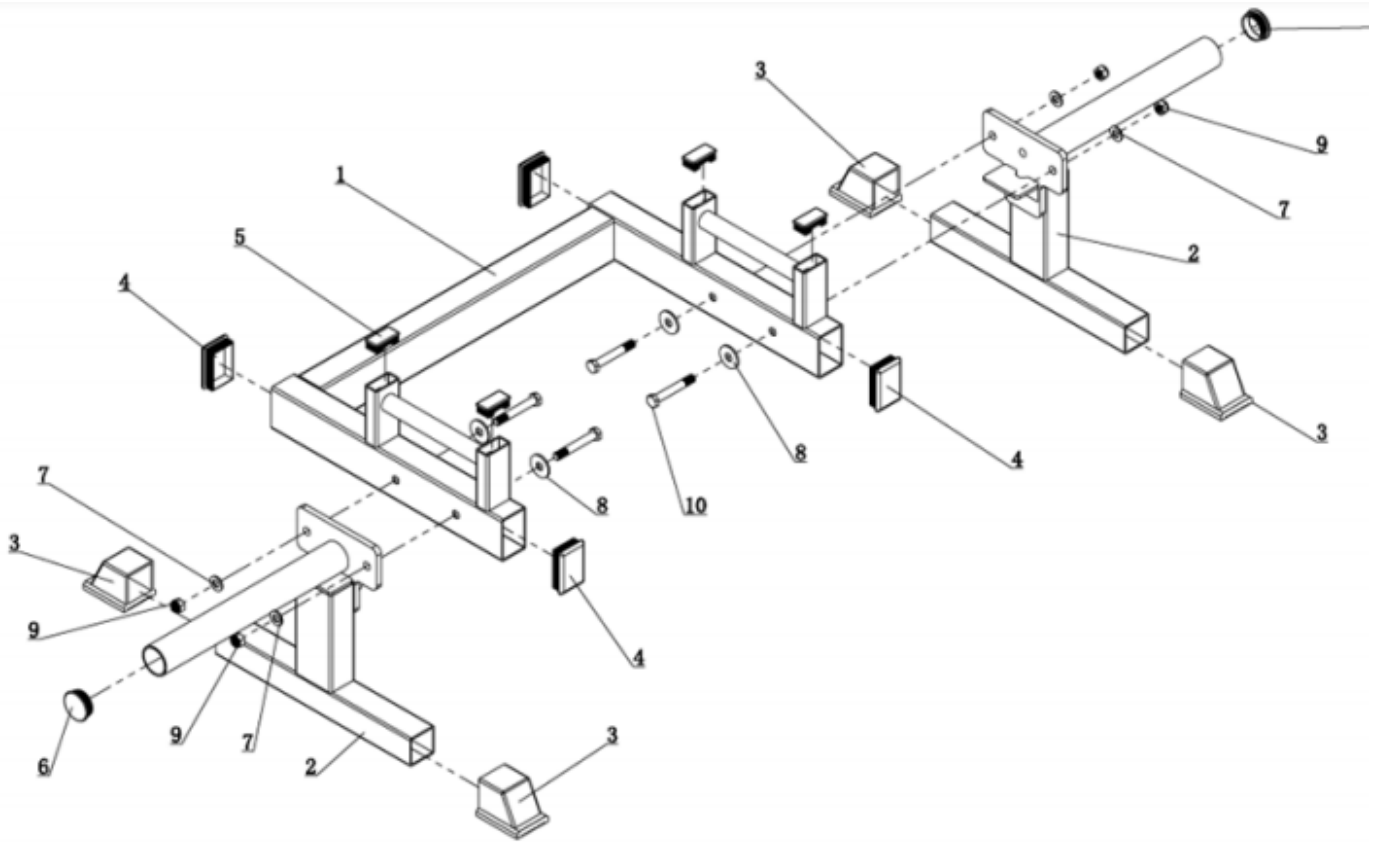
OWNER'S MANUAL

MPN(s): RCKSHW

SKU(s): 429993

UPC(s): 719318369111

PARTS DIAGRAM / EXPLODED VIEW



PARTS & HARDWARE LIST		
KEY #	DESCRIPTION	QTY
(1)	HANDLE BAR FRAME	x1
(2)	BUMPER PLATE	x2
(3)	50MM END CAP	x4
(4)	50*75MM END CAP	x4
(5)	25*50MM END CAP	x4
(6)	$\Phi 48*2$ END CAP	x2
(7)	$\Phi 13.5* \Phi 24*2.5$ FLAT WASHER	x4
(8)	$\Phi 13* \Phi 37*3$ FLAT WASHER	x4
(9)	M12 NUT	x4
(10)	M12*80 HEX BOLT	x4





This concludes the RCKSHW Owner's Manual.

If applicable to your product, make sure to tighten all nut-and-bolt combinations before use.

Enjoy!

DISCLAIMER

This equipment must be used with care by capable and competent individuals under supervision, if necessary.

The use of any fitness equipment, including this one, involves the potential risk of injury. You accept and assume full responsibility for any and all injuries, damages (both economic and non-economic), and losses of any type, which may occur, and you fully and forever release and discharge Titan, its insurers, employees, officers, directors, associates, and agents from any and all claims, demands, damages, rights of action, or causes of action, present or future, whether the same be known or unknown, anticipated, or unanticipated, resulting from or arising out of the use of said equipment.

TITAN MAKES NO WARRANTY WHATSOEVER WITH RESPECT TO THE EQUIPMENT, INCLUDING ANY WARRANTY OF MERCHANTABILITY OR WARRANTY OF FITNESS FOR A PARTICULAR PURPOSE, WHETHER EXPRESS OR IMPLIED BY LAW, COURSE OF DEALING, COURSE OF PERFORMANCE, USAGE OF TRADE OR OTHERWISE. BUYER ASSUMES ALL LIABILITY IN USE OF THE EQUIPMENT.

NEED HELP?

CONTACT US FIRST.

1 (800) 605-8241

info@titandistributorsinc.com / www.titan.fitness

Business Hours: Monday–Friday • 8:00 a.m.–5:00 p.m. (CT)

