



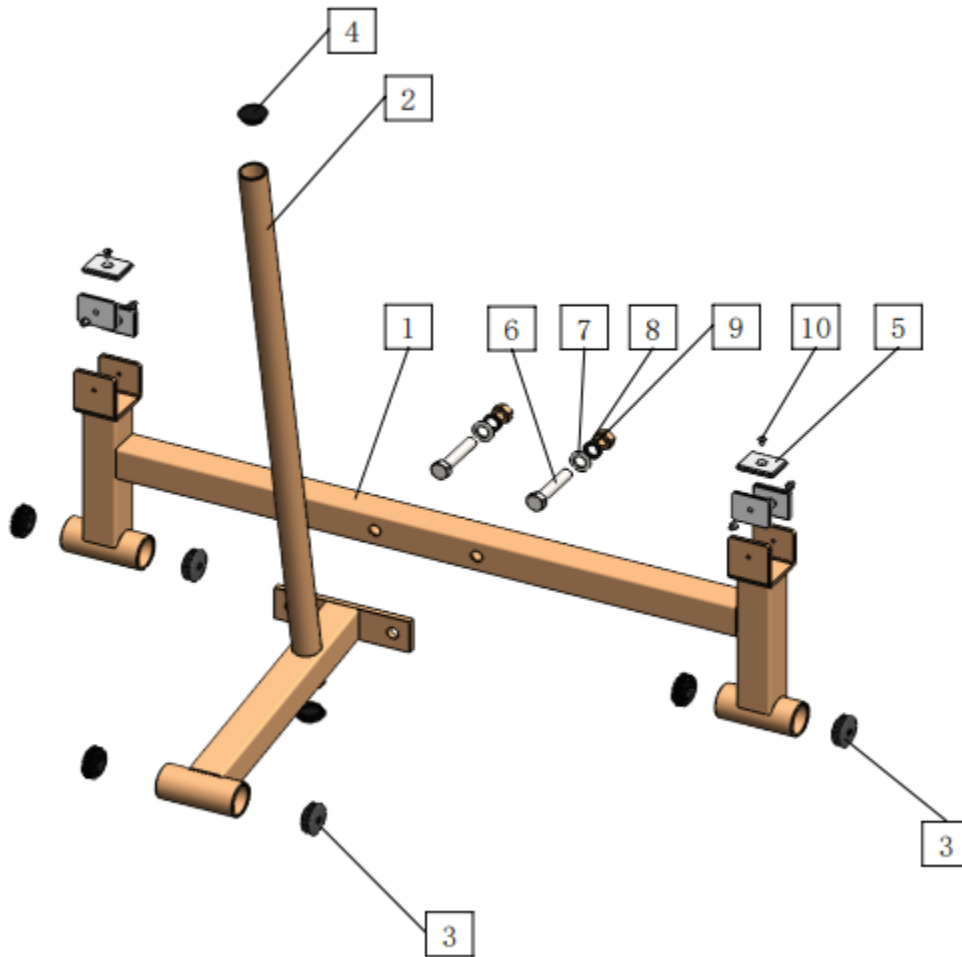
OWNER'S MANUAL

MPN(s): FBARJACK

SKU(s): 430017

UPC(s): 049008266742

PARTS DIAGRAM / EXPLODED VIEW



| KEY | BOX | DESCRIPTION | QTY | KEY | BOX | DESCRIPTION | QTY |
|-----|-----|------------------|-----|------|-----|-------------------|-----|
| (1) | 1 | JACK TUBE | 1 | (6) | 1 | HEX BOLT M16X90 | 2 |
| (2) | 1 | URPGIHT BAR | 1 | (7) | 1 | FLAT WASHER M16 | 2 |
| (3) | 1 | TUBE CAP – LARGE | 6 | (8) | 1 | SPRING WASHER M16 | 2 |
| (4) | 1 | TUBE CAP – SMALL | 2 | (9) | 1 | HEXT NUT M16 | 2 |
| (5) | 1 | UHMW PAD | 6 | (10) | 1 | COUNTER SINK BOLT | 6 |





This concludes the FBARJACK

Owner's Manual.

*If applicable to your product, make sure to tighten
all nut-and-bolt combinations before use.*

Enjoy!

DISCLAIMER

This equipment must be used with care by capable and competent individuals under supervision, if necessary.

The use of any fitness equipment, including this one, involves the potential risk of injury. You accept and assume full responsibility for any and all injuries, damages (both economic and non-economic), and losses of any type, which may occur, and you fully and forever release and discharge Titan, its insurers, employees, officers, directors, associates, and agents from any and all claims, demands, damages, rights of action, or causes of action, present or future, whether the same be known or unknown, anticipated, or unanticipated, resulting from or arising out of the use of said equipment.

TITAN MAKES NO WARRANTY WHATSOEVER WITH RESPECT TO THE EQUIPMENT, INCLUDING ANY WARRANTY OF MERCHANTABILITY OR WARRANTY OF FITNESS FOR A PARTICULAR PURPOSE, WHETHER EXPRESS OR IMPLIED BY LAW, COURSE OF DEALING, COURSE OF PERFORMANCE, USAGE OF TRADE OR OTHERWISE. BUYER ASSUMES ALL LIABILITY IN USE OF THE EQUIPMENT.

NEED HELP?

CONTACT US FIRST.

1 (800) 605-8241

info@titandistributorsinc.com / www.titan.fitness

Business Hours: Monday–Friday • 8:00 a.m.–5:00 p.m. (CT)

