



TITAN
FITNESS



OWNER'S MANUAL

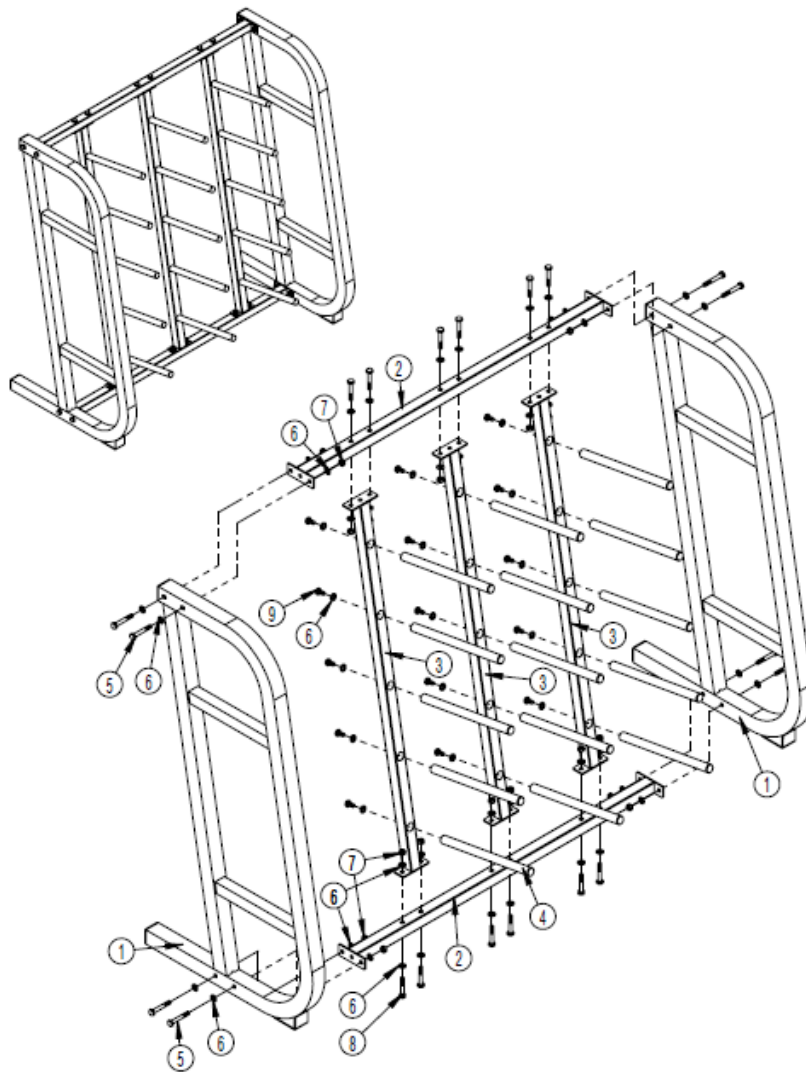
MPN(s): FTSTORAGE

SKU(s): 430140

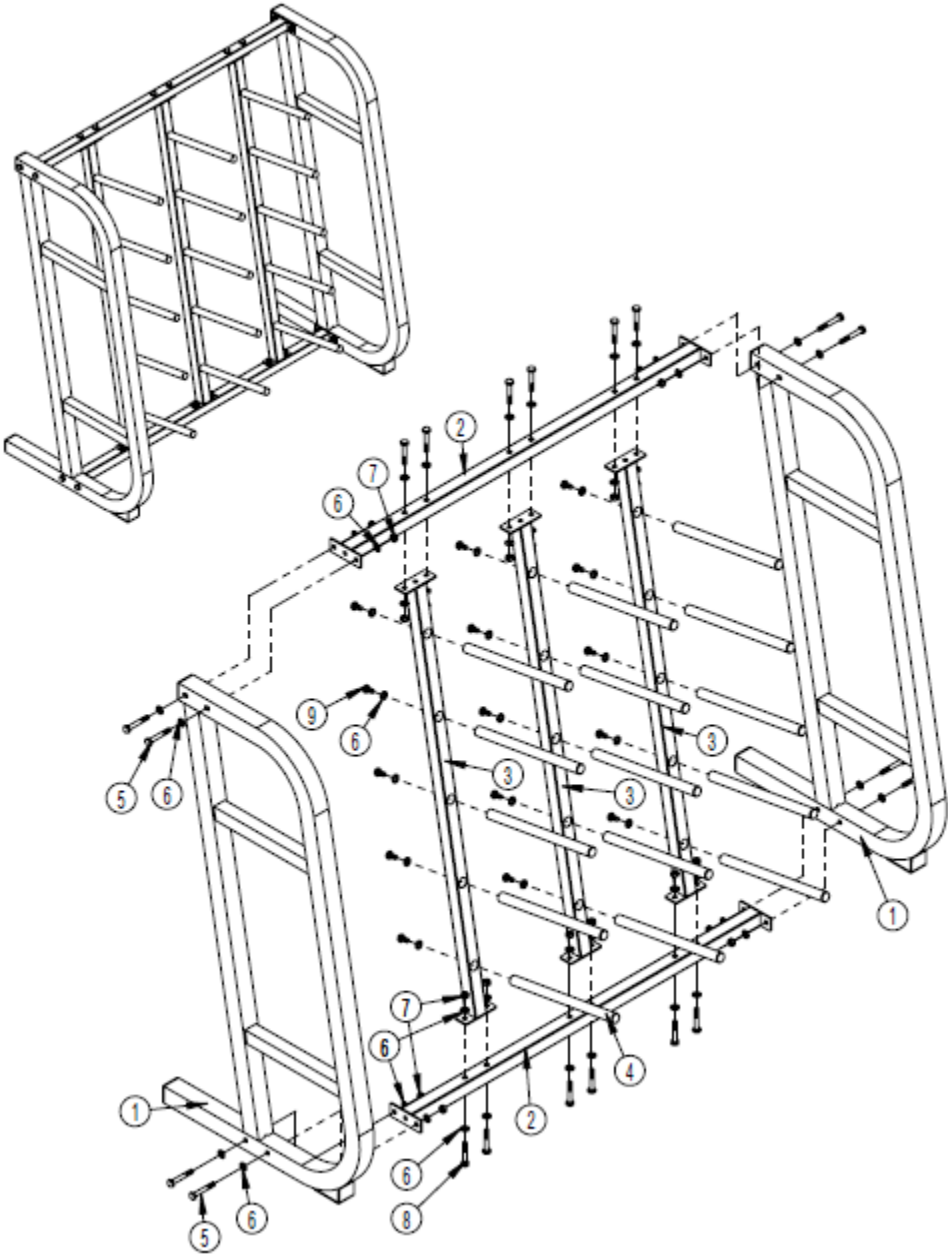
UPC(s): 840009208898

PARTS DIAGRAM / EXPLODED VIEW

ITEM NO.	DESCRIPTION	Q'TY	ITEM NO.	DESCRIPTION	Q'TY
1	MAIN FRAME	2	6	WASHER $\phi 10$	55
2	CONNECT TUBE 1	2	7	NYLON NUT M10	20
3	CONNECT TUBE 2	3	8	HEX BOLT M10*55	12
4	PLATE STORAGE	15	9	HEX BOLT M10*20	15
5	HEX BOLT M10*70	8			



ASSEMBLY INSTRUCTIONS





*This concludes the FTSTORAGE Owner's Manual.
If applicable to your product, make sure to tighten all
nut-and-bolt combinations before use.*

Enjoy!

DISCLAIMER

This equipment must be used with care by capable and competent individuals under supervision, if necessary.

The use of any fitness equipment, including this one, involves the potential risk of injury. You accept and assume full responsibility for any and all injuries, damages (both economic and non-economic), and losses of any type, which may occur, and you fully and forever release and discharge Titan, its insurers, employees, officers, directors, associates, and agents from any and all claims, demands, damages, rights of action, or causes of action, present or future, whether the same be known or unknown, anticipated, or unanticipated, resulting from or arising out of the use of said equipment.

TITAN MAKES NO WARRANTY WHATSOEVER WITH RESPECT TO THE EQUIPMENT, INCLUDING ANY WARRANTY OF MERCHANTABILITY OR WARRANTY OF FITNESS FOR A PARTICULAR PURPOSE, WHETHER EXPRESS OR IMPLIED BY LAW, COURSE OF DEALING, COURSE OF PERFORMANCE, USAGE OF TRADE OR OTHERWISE. BUYER ASSUMES ALL LIABILITY IN USE OF THE EQUIPMENT.

NEED HELP?

CONTACT US FIRST.

1 (800) 605-8241

info@titandistributorsinc.com / www.titan.fitness

Business Hours: Monday–Friday • 8:00 a.m.–5:00 p.m. (CT)

