



TITAN

ATTACHMENTS

1 Ton Shop Crane


Owner's Manual




MPN: 1SHOP1-1SHOP2
SKU: 840010



Titan Distributors Inc.
141 Eastley St. Ste. 113
Collierville, TN 38017

 1 800-605-8241

 info@titandistributorsinc.com

 www.palletforks.com

General Comments:

Congratulations on the purchase of your new TITAN product! This product was carefully designed and manufactured to give you many years of dependable service. Only minor maintenance (such as cleaning and lubricating) is required to keep it in top working condition. Be sure to observe all maintenance procedures and safety precautions in this manual and on any safety decals located on the product and on any equipment that you use in conjunction with this product.

This manual is designed to help you do a better, safer job. Read this manual carefully and become familiar with its contents. **SAVE THIS MANUAL FOR FUTURE REFERENCE!**

UNPACKING

INSTRUCTIONS

When unpacking the tool:

- Carefully remove the tool and accessories from the box.
- Make sure that all items listed in the packing list are included.
- Inspect the tool carefully to make sure no breakage or damage occurred during shipping.
- Do not discard the packing material until you have carefully inspected and successfully operated the tool.

WARNINGS

Safety, performance, and dependability have been given top priority in the design of this TITAN product making it easy to maintain and operate.

WARNING:

Do not attempt to use this product until you thoroughly read and completely understand the operator's manual. Pay close attention to the safety rules, including Dangers, Warnings, and Cautions. If you use your product properly and only as intended, you will enjoy years of safe, reliable service.

WARNING:

The operation of any tool can result in foreign objects being thrown into your eyes, which can result in severe eye damage. Before beginning operation, always wear ANSI-approved safety goggles and heavy-duty work gloves.

WARNING:

When using the tool basic safety precautions should always be followed to reduce the risk of personal injury and damage to equipment!

WARNING:

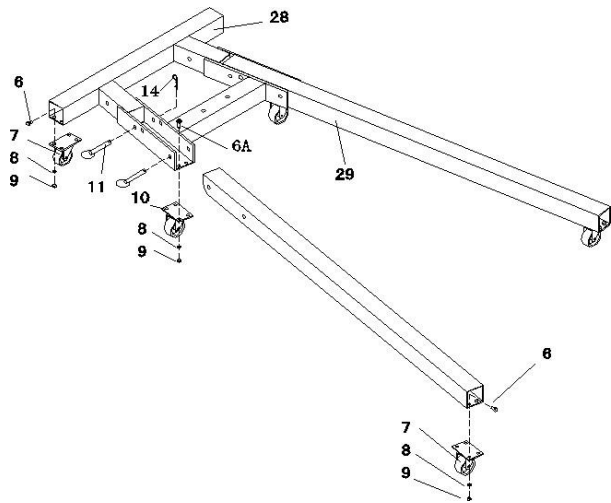
The warnings, cautions, and instructions discussed in this instruction manual cannot cover all possible conditions and situations that may occur. It must be understood by the operator that common sense and caution are factors which cannot be built into this product, but must be supplied by the operator.

GENERAL SAFETY RULES

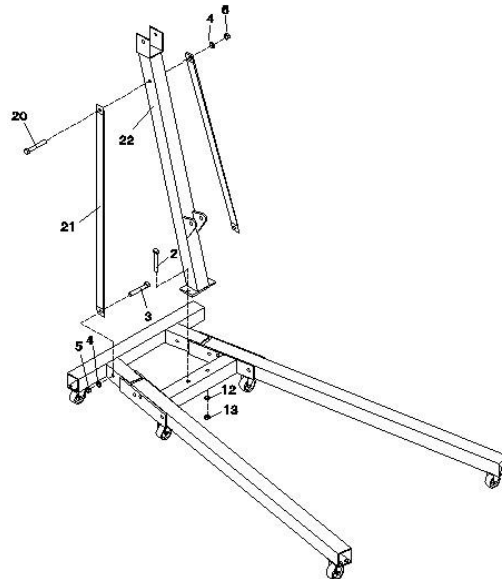
- **Work area conditions.** Cluttered areas invite injuries.
- **Additional work area conditions.** Do not use machines or power tools in damp or wet locations. Do not expose to rain. Keep work area well lit.
- **Keep children away.** Children must never be allowed in the work area. Do not let them handle machines, tools or extension cords.
- **Store idle equipment.** When not in use tools must be stored in a dry location to inhibit rust. Always lock up tools and keep them out of the reach of children.
- **Use the right tool for the job.** Do not attempt to force a small tool or attachment to do the work of a larger industrial tool. There are certain applications for which this tool was designed. It will do the job better and safer at the rate for which it was intended. Do not modify this tool and do not use this tool for a purpose for which it was not intended.
- **Dress properly.** Do not wear loose clothing or jewelry as they can get caught in moving parts. Protective, electrically non-conductive clothing and non-skid footwear are recommended when working. Wear restrictive hair covering to contain long hair.
- **Use eye protection.** Always wear ANSI-approved impact safety glasses underneath a full face shield during use. Also wear heavy duty work gloves.
- **Do not over reach.** Keep proper footing and balance at all times. Do not reach over or across running machines.
- **Maintain tools with care.** Keep tools sharp and clean for better and safer performance. Follow instructions for lubricating and changing accessories. The handles must be kept clean, dry and free from oil and grease at all times.
- **Remove adjusting keys and wrenches.** Check that keys and adjusting wrenches are removed from the tool or machine work surface before starting work.
- **Stay alert.** Watch what you are doing. Use common sense. Do not operate any tool when you are tired.
- **Check for damaged parts.** Before using any tool, any parts that appear damaged should be carefully checked to determine that it will operate properly and perform its intended function. Any part that is damaged should be replaced.
- **Replacement parts and accessories.** When servicing use only identical replacement parts. Use of any other parts will void the warranty. Only use accessories intended for use with this tool. Approved accessories are available from our company.
- **Do not operate tools if under the influence of alcohol or drugs.** Read warning labels on prescriptions to determine if your judgment or reflexes are impaired while taking drugs.

ASSEMBLY

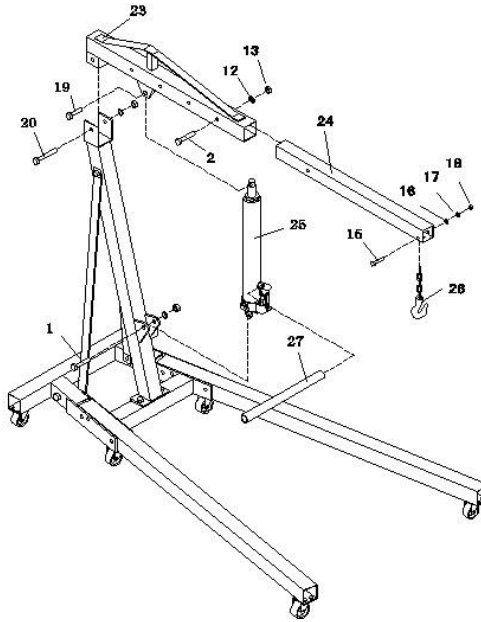
1. Install the 2-3.5" wheels (part 7) on the base (part 28) using the screws and nuts provided (part 6,8,9).
2. Install the 2-3" wheels (part 10) on the base (part 28) using the screws and nuts provided (part 8,9,10).
3. Install the 2-3.5" wheels (part 7) on the 2 legs (part 29) using the screws and nuts provided (part 6,8,9).
4. Insert the lock pins (part 11).



5. Fix vertical column (part 22) to the base (part 28) using the screws and nuts provided (part 2,12,13).
6. Assemble and fasten the 2 supports (part 21) through the bottom of the vertical column (part 22) using the screws and nuts provided (part 3,4,5).
7. Assemble and fasten the 2 supports (part 21) through the top of the vertical column (part 22) using the screws and nuts provided (part 20,4,5).



8. Assemble and fasten the vertical column (part 22) and boom (part 23) using the screws and nuts provided (part 20,4,5).
9. Attach the boom extension (part 24) to the boom (part 23) using screws and nuts provided (part 2,12,13).
10. Assemble and fasten the jack's bottom (part 25) and vertical column (part 22) using the screws and nuts provided (part 1,12,13).
11. Assemble and fasten the jack's top (part 25) and boom (part 23) using the screws and nuts provided (part 19,4,5).



PART	DESCRIPTION	QTY
1	Bolt M16X90	1
2	Bolt M14X100	3
3	Bolt M16X100	2
4	Ø16 washer	6
5	M16 nut	6
6	Bolt M8X16	16
6A	Bolt M8X18	8
7	3 1/2" wheel	4
8	Ø8 spring washer	24
9	M8 nut	24
10	3" wheel	2
11	Ø16 pin	4
12	Ø14 washer	3
13	M14 nut	3
14	" R " pin	4

PART	DESCRIPTION	QTY
15	Bolt M12X80	1
16	Ø12 washer	1
17	Ø12 spring washer	1
18	M12 nut	1
19	Bolt M16X80	1
20	Bolt M16X110	2
21	support	2
22	Vertical column	1
23	boom	1
24	boom extension	1
25	jack	1
26	chain	1
27	jack handle	1
28	base	1
29	leg	2



NEED HELP?
CONTACT US FIRST
1(800)-605-8241

info@titandistributorsinc.com / www.palletforks.com
Business hours: Monday - Friday • 8am - 5pm Central