

# 12 TON SHOP PRESS

12PRESS1-12PRESS2

840020



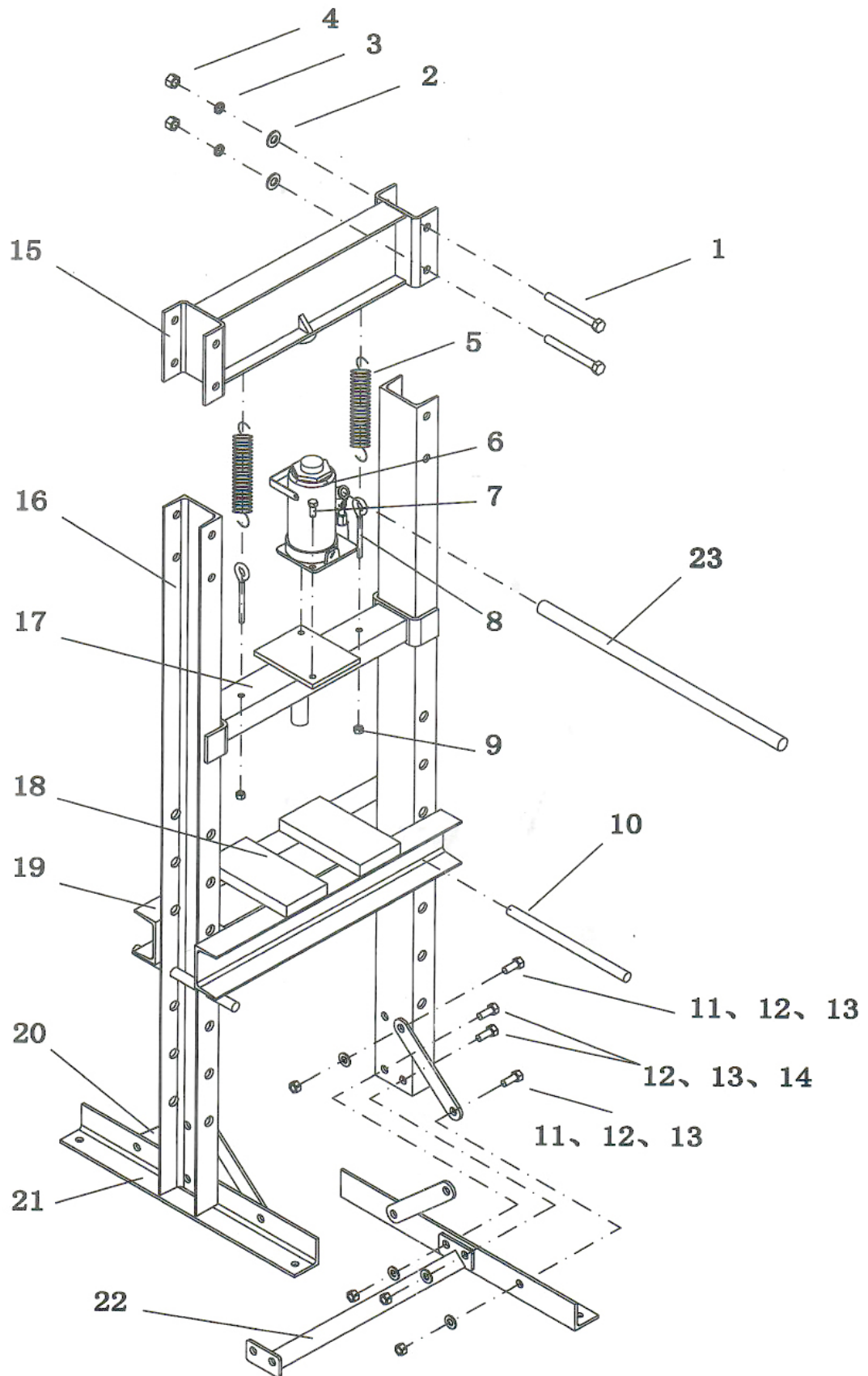
## Operator's Manual



Read the Operator's Manual entirely. When you see this symbol, the subsequent instructions and warnings are serious follow without exception. Your life and the lives of others depend on it!

Cover photo may show optional equipment not supplied with standard unit. For an Operator's Manual and Decal Kit in French or Spanish Language, please see your dealer.

PARTS DIAGRAM / EXPLODED VIEW



KEY	DESCRIPTION	QTY	KEY	DESCRIPTION	QTY
(1)	BOLT M12X110	4	(13)	M10 NUT	12
(2)	12 WASHER	4	(14)	BOLT M10X25	4
(3)	12 SPRING WASHER	4	(15)	UPPER BEAM	1
(4)	M12 NUT	4	(16)	POST	2
(5)	SPRING	2	(17)	PUMP BASE	1
(6)	PUMP	1	(18)	BLOCK	2
(7)	BOLT M8X20	2	(19)	FRAME	1
(8)	M8 BOLT	2	(20)	BASE SUPPORT	4
(9)	M8 NUT	2	(21)	BASE SECTION	2
(10)	LONG PIN	2	(22)	PLANK	1
(11)	BOLT M10X20	8	(23)	HANDLE	1
(12)	10 WAHSER	12			

## GENERAL COMMENTS

---

Congratulations on the purchase of your new TITAN product! This product was carefully designed and manufactured to give you many years of dependable service. Only minor maintenance (such as cleaning and lubricating) is required to keep it in top working condition. Be sure to observe all maintenance procedures and safety precautions in this manual and on any safety decals located on the product and on any equipment that you use in conjunction with this product.

This manual is designed to help you do a better, safer job. Read this manual carefully and become familiar with its contents. SAVE THIS MANUAL FOR FUTURE REFERENCE!

## UNPACKING INSTRUCTIONS

---

### INSTRUCTION WHEN UNPACKING THE TOOL:

- Carefully remove the tool and accessories from the box.
- Make sure that all items listed in the packing list are included.
- Inspect the tool carefully to make sure no breakage or damage occurred during shipping.
- Do not discard the packing material until you have carefully inspected and successfully operated the tool.

## **WARNING**

---

### **WARNINGS:**

Safety, performance, and dependability have been given top priority in the design of this TITAN product making it easy to maintain and operate.

### **WARNING:**

Do not attempt to use this product until you thoroughly read and completely understand the operator's manual. Pay close attention to the safety rules, including Dangers, Warnings, and Cautions. If you use your product properly and only as intended, you will enjoy years of safe, reliable service.

### **WARNING:**

The operation of any tool can result in foreign objects being thrown into your eyes, which can result in severe eye damage. Before beginning operation, always wear ANSI-approved safety goggles and heavy-duty work gloves. **WARNING:** When using the tool basic safety precautions should always be followed to reduce the risk of personal injury and damage to equipment!

### **WARNING:**

The warnings, cautions, and instructions discussed in this instruction manual cannot cover all possible conditions and situations that may occur. It must be understood by the operator that common sense and caution are factors which cannot be built into this product but must be supplied by the operator.

### **WARNING:**

NEVER operate this machine if the arbor plates are uneven – this can cause them to break. Any obstruction under the arbor plates can cause this to happen.

### **WARNING:**

ALWAYS align your items vertically prior to pressing them together, otherwise one or both items may eject itself sideways from your press at a high velocity and force.

### **WARNING:**

ALWAYS check your bottle jack to make sure it is working properly prior to actual use. If it does not appear to be working properly, troubleshoot prior to actual use. Bleeding the bottle jack is recommended when it does not appear to be working properly.

### **WARNING:**

Change your hydraulic fluid – we recommend a minimum of once every three years.

### **WARNING:**

DO NOT EXCEED the stated limit or operate the jack beyond its rated capacity

# **WARNING:**

NEVER USE THIS PRESS IF ANY PART  
OF IT SEEMS TO BE DAMAGED OR  
MALFUNCTIONING! THIS CAN BE  
HIGHLY DANGEROUS

## GENERAL SAFETY RULES

---

- **Work area conditions.** Cluttered areas invite injuries.
- **Additional work area conditions.** Do not use machines or power tools in damp or wet locations. Do not expose to rain. Keep work area well lit.
- **Keep children away.** Children must never be allowed in the work area. Do not let them handle machines, tools or extension cords.
- **Store idle equipment.** When not in use tools must be stored in a dry location to inhibit rust. Always lock up tools and keep them out of the reach of children.
- **Use the right tool for the job.** Do not attempt to force a small tool or attachment to do the work of a larger industrial tool. There are certain applications for which this tool was designed. It will do the job better and safer at the rate for which it was intended. Do not modify this tool and do not use this tool for a purpose for which it was not intended.
- **Dress properly.** Do not wear loose clothing or jewelry as they can get caught in moving parts. Protective, electrically non-conductive clothing and non-skid footwear are recommended when working. Wear restrictive hair covering to contain long hair.
- **Use eye protection.** Always wear ANSI-approved impact safety glasses underneath a full-face shield during use. Also wear heavy duty work gloves.
- **Do not over reach.** Always keep proper footing and balance. Do not reach over or across running machines.
- **Maintain tools with care.** Keep tools sharp and clean for better and safer performance. Follow instructions for lubricating and changing accessories. The handles must be kept clean, dry, and free from oil and grease always.
- **Remove adjusting keys and wrenches.** Check that the keys and adjusting wrenches are removed from the tool or machine work surface before starting work.
- **Stay alert.** Watch what you are doing. Use common sense. Do not operate any tool when you are tired.
- **Check for damaged parts.** Before using any tool, any parts that appear damaged should be carefully checked to determine that it will operate properly and perform its intended function. Any part that is damaged should be replaced.
- **Replacement parts and accessories.** When servicing use only identical replacement parts. Use of any other parts will void the warranty. Only use accessories intended for use with this tool. Approved accessories are available from our company.
- **Do not operate tools if under the influence of alcohol or drugs.** Read warning labels on prescriptions to determine if your judgment or reflexes are impaired while taking drugs.

## ASSEMBLY INSTRUCTIONS

---

**USE THE PARTS DIAGRAM AND TABLE AS YOUR GUIDE FOR THIS ASSEMBLY. ASSEMBLY WITH TWO OR MORE PEOPLE IS MUCH SAFER AND EASIER THAN ASSEMBLING THIS PRESS ALONE!**

1. Lay out all the pieces in front of you in an organized fashion so that you can easily access them throughout assembly.
2. Start at the bottom by assembling the base sections to the frame supports, followed by the bottom frame support and the base section supports. Use the bolts, washers, and nuts as numbered in the parts diagram.
3. At this stage, place the base of your press in the location where it will be used, and bolt it to the floor using appropriate hardware (not included) using the pre-drilled holes in the base sections. Appropriate hardware will be dependent on what type of floor you are. Ensure that your base is stable prior to proceeding with the assembly.
4. Next, install the upper beam using the bolts, washers, spring washers, and nuts as shown in the parts diagram. **BEFORE TIGHTENING FULLY:** check to make sure the assembly is square.
5. Put your support pins into the holes on the frame posts. Note: put them somewhere below the top holes in the initial set up so that you have room to install your jack plate.
6. Set the press apron on top of your support pins – you will have to angle the press apron to make it fit inside your frame posts, leveling it out as you lower it onto the support pins.
7. Secure the eye bolts to the jack plate PRIOR to installation of the jack plate. Then, put the jack plate (with eye bolts installed) onto the press apron – you will again have to angle it initially to make it fit between your frame posts, leveling it out as you lower it onto the press apron.
8. Hang your springs onto the spring hangers on the upper beam.
9. Be sure to check fluid levels, bleed, and fully test your bottle jack prior to installation.
10. Place the bottle jack on the center of the jack plate, aligning it with the two mounting holes. Secure it with the two bolts as shown in the parts diagram.
11. Now, slide your jack plate into place and secure the springs to the eye bolts. Note: the bottle jack will fit in the bracket on the bottom of the upper beam.

## ACKNOWLEDGEMENT OF RISK AND RELEASE OF LIABILITY

---

The use of any equipment, including this one, involves the potential risk of injury. Apart from any warranty claim that might be presented for a claimed defect in material or workmanship of the product, you accept and assume full responsibility for any and all injuries, damages (both economic and non-economic), and losses of any type, which may occur, and you fully and forever release and discharge Titan, its insurers, employees, officers, directors, associates, and agents from any and all claims, demands, damages, rights of action, or causes of action, present or future, whether the same be known or unknown, anticipated, or unanticipated, resulting from or arising out of the use of said equipment.

This equipment must be used with care by capable and competent individuals under supervision, if necessary.

## WARNING

---



**Do not overfill!** Mower should be level when checking oil in gear box.



some activities might be able to cause electric shock



Sharp objects may be involved.  
Use protective cover during maintenance.

## TITAN LIMITED WARRANTY: TERMS, EXCLUSIONS AND LIMITATIONS OF REMEDIES

---

This product comes with a one (1) year limited warranty that can be found at [www.palletforks.com/warranty.html](http://www.palletforks.com/warranty.html). Please review the same for all details regarding the Titan Limited Warranty.

**THE TITAN LIMITED WARRANTY FOUND AT [WWW.PALLETFORKS.COM/WARRANTY.HTML](http://WWW.PALLETFORKS.COM/WARRANTY.HTML) IS EXCLUSIVE AND IS IN LIEU OF ALL OTHER WARRANTIES, EXPRESS OR IMPLIED, INCLUDING ANY IMPLIED WARRANTY OF MERCHANTABILITY AND/OR FITNESS FOR A PARTICULAR PURPOSE, EACH OF WHICH IS HEREBY DISCLAIMED.**





**NEED HELP? CONTACT US FIRST.**

**1-800-605-7595**

[info@palletworks.com](mailto:info@palletworks.com)

[www.palletforks.com](http://www.palletforks.com)

© 2021 Titan Brands