

ADJUSTABLE GANTRY CRANE

05GANTRY, 1GANTRY, 2GANTRY

840041, 840042, 840043



Operator's Manual



Read the Operator's Manual entirely. When you see this symbol, the subsequent instructions and warnings are serious follow without exception. Your life and the lives of others depend on it!

Cover photo may show optional equipment not supplied with standard unit. For an Operator's Manual and Decal Kit in French or Spanish Language, please see your dealer.

GENERAL COMMENTS

Congratulations on the purchase of your new TITAN product! This product was carefully designed and manufactured to give you many years of dependable service. Only minor maintenance (such as cleaning and lubricating) is required to keep it in top working condition. Be sure to observe all maintenance procedures and safety precautions in this manual and on any safety decals located on the product and on any equipment that you use in conjunction with this product. This manual is designed to help you do a better, safer job. Read this manual carefully and become familiar with its contents. **SAVE THIS MANUAL FOR FUTURE REFERENCE!**

UNPACKING

INSTRUCTIONS

When unpacking the tool:

- Carefully remove the tool and accessories from the box.
- Make sure that all items listed in the packing list are included.
- Inspect the tool carefully to make sure no breakage or damage occurred during shipping.
- Do not discard the packing material until you have carefully inspected and successfully operated the tool.

WARNING

Safety, performance, and dependability have been given top priority in the design of this TITAN product making it easy to maintain and operate.

WARNING:

Do not attempt to use this product until you thoroughly read and completely understand the operator's manual. Pay close attention to the safety rules, including Dangers, Warnings, and Cautions. If you use your product properly and only as intended, you will enjoy years of safe, reliable service.

WARNING:

The operation of any tool can result in foreign objects being thrown into your eyes, which can result in severe eye damage. Before beginning operation, always wear ANSI-approved safety goggles and heavy-duty work gloves.

WARNING:

When using the tool basic safety precautions should always be followed to reduce the risk of personal injury and damage to equipment!

WARNING:

The warnings, cautions, and instructions discussed in this instruction manual cannot cover all possible conditions and situations that may occur. It must be understood by the operator that common sense and caution are factors which cannot be built into this product but must be supplied by the operator.

GENERAL SAFETY RULES

WORK AREA CONDITIONS. Cluttered areas invite injuries.

ADDITIONAL WORK AREA

CONDITIONS. Do not use machines or power tools in damp or wet locations. Do not expose to rain. Keep work area well lit.

KEEP CHILDREN AWAY. Children must never be allowed in the work area. Do not let them handle machines, tools, or extension cords.

STORE IDLE EQUIPMENT. When not in use tools must be stored in a dry location to inhibit rust. Always lock up tools and keep them out of the reach of children.

USE THE RIGHT TOOL FOR THE JOB. Do not attempt to force a small tool or attachment to do the work of a larger industrial tool. There are certain applications for which this tool was designed. It will do the job better and safer at the rate for which it was intended. Do not modify this tool and do not use this tool for a purpose for which it was not intended.

DRESS PROPERLY. Do not wear loose clothing or jewelry as they can get caught in moving parts. Protective, electrically non-conductive clothing and non-skid footwear are recommended when working. Wear restrictive hair covering to contain long hair.

USE EYE PROTECTION. Always wear ANSI-approved impact safety glasses underneath a full-face shield during use. Also wear heavy duty work gloves.

DO NOT OVER REACH. Keep proper footing and balance at all times. Do not reach over or across running machines.

MAINTAIN TOOLS WITH CARE. Keep tools sharp and clean for better and safer performance. Follow instructions for lubricating and changing accessories. The handles must be kept clean, dry, and free from oil and grease.

REMOVE ADJUSTING KEYS AND WRENCHES. Check that keys and adjusting wrenches are removed from the tool or machine work surface before starting work.

STAY ALERT. Watch what you are doing. Use common sense. Do not operate any tool when you are tired.

CHECK FOR DAMAGED PARTS. Before using any tool, any parts that appear damaged should be carefully checked to determine that it will operate properly and perform its intended function. Any part that is damaged should be replaced.

REPLACEMENT PARTS AND ACCESSORIES. When servicing use only identical replacement parts. Use of any other parts will void the warranty. Only use accessories intended for use with this tool. Approved accessories are available from our company.

DO NOT OPERATE TOOLS IF UNDER THE INFLUENCE OF ALCOHOL OR DRUGS. Read warning labels on prescriptions to determine if your judgment or reflexes are impaired while taking drugs.

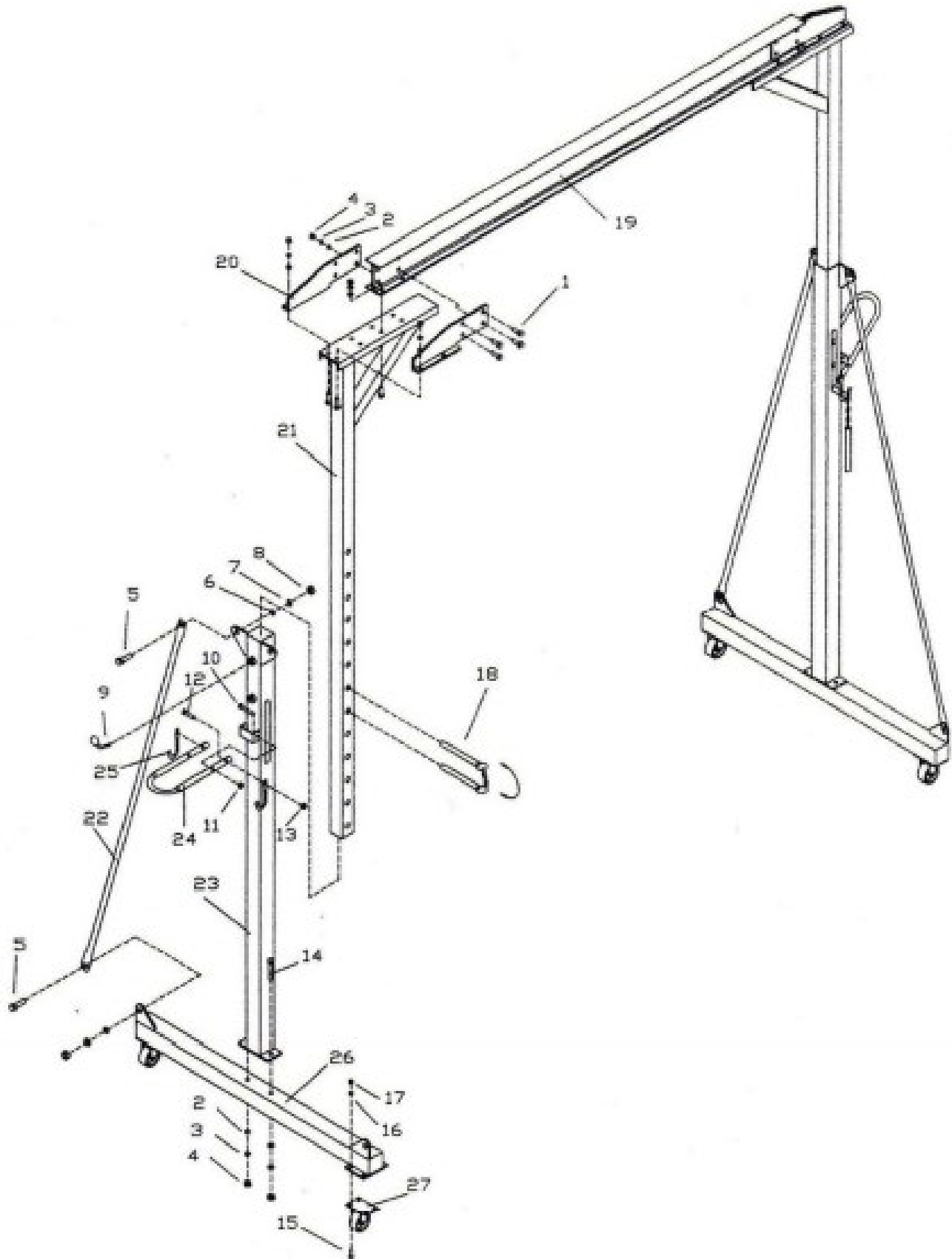
ASSEMBLY INSTRUCTIONS

USE THE PARTS DIAGRAM AND TABLE AS YOUR GUIDE FOR THIS ASSEMBLY. ASSEMBLY WITH TWO OR MORE PEOPLE IS MUCH SAFER AND EASIER THAN ASSEMBLING THIS PRESS ALONE!

Do not fully tighten bolts until entire assembly is complete and all parts are fitting properly. This is the best way to ensure ideal fit.

1. Attach two plates (#20) from two sides to the one end of Crossbeam (#19), secure by four bolts (#1), washers (#2), spring washers (#3), and nuts (#4). Repeat for another end.
2. Attach each Inner Vertical Post Assembly to the Crossbeam (#19), secure by 8 bolts (#1), washers (#2), spring washers (#3), nuts (#4).
3. Attach the four (4) Swivel Casters with brake (#27) to the Base Assembly (#26). Apply grease to the zerk in each caster.
4. Attach each Outer Vertical Post Assembly (#24) to each Base Assembly (#26) making certain that the slot at two sides of the Outer Vertical Post Assembly are facing to the castors direction. From the top, insert two (2) Bolts (#14) through the base of the Outer Vertical Post Assembly, and into the Base Assembly (#26). Slip on Washer (#2), Spring Washer (#3) and secure by tightening on Nuts (#4).
5. Attach two (2) Support Tubes (#22) to each Outer Vertical Post Assembly (#23). Insert the bolt (#5) through the top of the Support Tube, and through the eyelet. Slip on a Washer (#6), Spring Washer (#7) and secure with the Nut (#8). Attach the other end of support tube to the base assembly by bolts, washers, spring washers, and nuts. Repeat for all four (4) Support Tubes.
6. Insert the Inner Vertical Post (#21) into the Outer Vertical Post (#23). Insert one (1) pin of the Pins with Chain (part #18) through the slot and the Inner Vertical Post hole so that it goes all the way through, left the other pin. Attach the Handle (#24) to the bracket on the side of Outer Vertical Post, insert the Bolt (#10) from the inside, slip on the Washer (#14), Spring Washer (#15) and secure with the Nut (#11). Make sure the two (2) hooks of the handle hold the two ends of the Pin (#18). Repeat for another post assembly.
7. Tighten all the Bolts and Nuts securely and make certain that the entire Telescoping Gantry Crane Assembly is tight and secure.
8. Test crane according to manual and ANSI/ASME B30.17 standards

PARTS DIAGRAM



0.5 TON PARTS LISTS

KEY	DESCRIPTION	QTY	KEY	DESCRIPTION	QTY
(1)	BOLT M12 X 35	24	(15)	BOLT M8 X 16	16
(2)	Ø12 WASHER	28	(11)	Ø8 SPRING WASHER	16
(3)	Ø12 SPRING WASHER	28	(17)	M8 NUT	16
(4)	M12 NUT	28	(18)	PIN	4
(5)	BOLT M14 X 40	8	(19)	CROSS BEAM	1
(6)	Ø14 WASHER	8	(20)	PLATE	4
(7)	Ø14 SPRING WASHER	8	(21)	INNER VERTICAL POST	2
(8)	M14 NUT	8	(22)	SUPPORT TUBE	4
(9)	M12 BOLT	4	(23)	OUTER VERTICAL POST	2
(10)	BOLT M10 X 70	4	(24)	HANDLE	2
(11)	M10 NUT	4	(25)	PIN	4
(12)	BOLT M8 X 40	4	(26)	BASE ASSEMBLY	2
(13)	M8 NUT	4	(27)	WHEEL	4
(14)	BOLT M12 X 90	4			

1 TON PARTS LISTS

KEY	DESCRIPTION	QTY	KEY	DESCRIPTION	QTY
(1)	BOLT M12 X 35	24	(15)	BOLT M10 X 30	16
(2)	Ø12 WASHER	28	(11)	Ø10 SPRING WASHER	16
(3)	Ø12 SPRING WASHER	28	(17)	M10 NUT	16
(4)	M12 NUT	28	(18)	PIN	4
(5)	BOLT M14 X 40	8	(19)	CROSS BEAM	1
(6)	Ø14 WASHER	8	(20)	PLATE	4
(7)	Ø14 SPRING WASHER	8	(21)	INNER VERTICAL POST	2
(8)	M14 NUT	8	(22)	SUPPORT TUBE	4
(9)	M12 BOLT	4	(23)	OUTER VERTICAL POST	2
(10)	BOLT M10 X 60	4	(24)	HANDLE	2
(11)	M10 NUT	4	(25)	PIN	4
(12)	BOLT M8 X 40	4	(26)	BASE ASSEMBLY	2
(13)	M8 NUT	4	(27)	WHEEL	4
(14)	BOLT M12 X 100	4			

2 TON PARTS LISTS

KEY	DESCRIPTION	QTY	KEY	DESCRIPTION	QTY
(1)	BOLT M12 X 35	24	(15)	BOLT M10 X 30	16
(2)	Ø12 WASHER	28	(11)	Ø10 SPRING WASHER	16
(3)	Ø12 SPRING WASHER	28	(17)	M10 NUT	16
(4)	M12 NUT	28	(18)	PIN	4
(5)	BOLT M14 X 40	8	(19)	CROSS BEAM	1
(6)	Ø14 WASHER	8	(20)	PLATE	4
(7)	Ø14 SPRING WASHER	8	(21)	INNER VERTICAL POST	2
(8)	M14 NUT	8	(22)	SUPPORT TUBE	4
(9)	M12 BOLT	4	(23)	OUTER VERTICAL POST	2
(10)	BOLT M10 X 60	4	(24)	HANDLE	2
(11)	M10 NUT	4	(25)	PIN	4
(12)	BOLT M8 X 40	4	(26)	BASE ASSEMBLY	2
(13)	M8 NUT	4	(27)	WHEEL	4
(14)	BOLT M12 X 150	4			

OPERATION

Never force the tool or attachment to do the work of a larger industrial tool. It is designed to do the job better and more safely at the rate for which it was intended.

1. Move the Crane so that it is directly above the item to be lifted.
2. Securely fasten the item to the Crane with the appropriate trolley or hoist.
3. Raising and lowering the Crossbeam requires 2 people. There is a Handle (#27) on each of the Outer Vertical Post Assemblies. To raise the crossbeam, press the handle and the Inner Vertical Post will be up by one hole, insert the other Pin into this hole to hold the position. Pull out the original pin and make the handle to hook with the new positioned pin. Repeat it to reach the height you need. The Inner Vertical Post Assembly has thirteen (13) different stop positions.

MAINTENANCE

- The gantry crane should be maintained daily, monthly, and after overloading.
- The maintenance of the trolley and the hoist should be in accordance with relating manuals, ANSI/ASME B30.11 and B30.16.
- Only trained and qualified personnel should maintain the gantry crane.
- Clear a large enough area for maintenance, at least 1.5 times the Span (L) X 2.5 times the Height (H) of the gantry crane's dimensions.
- Lower the load back to the ground if it is attached to the crane.
- All controllers shall be placed in the OFF position. Place warning signs and barriers around maintenance area.
- Disassemble the gantry crane, inspect all parts of the gantry crane and maintain as instructed in this manual.
- Replace all roller pins used for locking, all damaged, worn, and bent parts, and lost parts, such as warning labels.
- After maintenance work is completed and before restoring the crane to normal operation, all replaced parts and loose material should be removed. Reassemble the crane and conduct tests according to this manual and ANSI/ASME B30.17

ACKNOWLEDGEMENT OF RISK AND RELEASE OF LIABILITY

The use of any equipment, including this one, involves the potential risk of injury. Apart from any warranty claim that might be presented for a claimed defect in material or workmanship of the product, you accept and assume full responsibility for any and all injuries, damages (both economic and non-economic), and losses of any type, which may occur, and you fully and forever release and discharge Titan, its insurers, employees, officers, directors, associates, and agents from any and all claims, demands, damages, rights of action, or causes of action, present or future, whether the same be known or unknown, anticipated, or unanticipated, resulting from or arising out of the use of said equipment.

This equipment must be used with care by capable and competent individuals under supervision, if necessary.

WARNING



Do not overfill! Mower should be level when checking oil in gear box.



some activities might be able to cause electric shock



Sharp objects may be involved.
Use protective cover during maintenance.

TITAN LIMITED WARRANTY: TERMS, EXCLUSIONS AND LIMITATIONS OF REMEDIES

This product comes with a one (1) year limited warranty that can be found at www.palletforks.com/warranty.html. Please review the same for all details regarding the Titan Limited Warranty.

THE TITAN LIMITED WARRANTY FOUND AT WWW.PALLETFORKS.COM/WARRANTY.HTML IS EXCLUSIVE AND IS IN LIEU OF ALL OTHER WARRANTIES, EXPRESS OR IMPLIED, INCLUDING ANY IMPLIED WARRANTY OF MERCHANTABILITY AND/OR FITNESS FOR A PARTICULAR PURPOSE, EACH OF WHICH IS HEREBY DISCLAIMED.



NEED HELP? CONTACT US FIRST.

1-800-605-7595

info@palletworks.com
www.palletforks.com

© 2021 Titan Brands