



WWW.PALLETFORKS.COM  
**TITAN**  
ATTACHMENTS



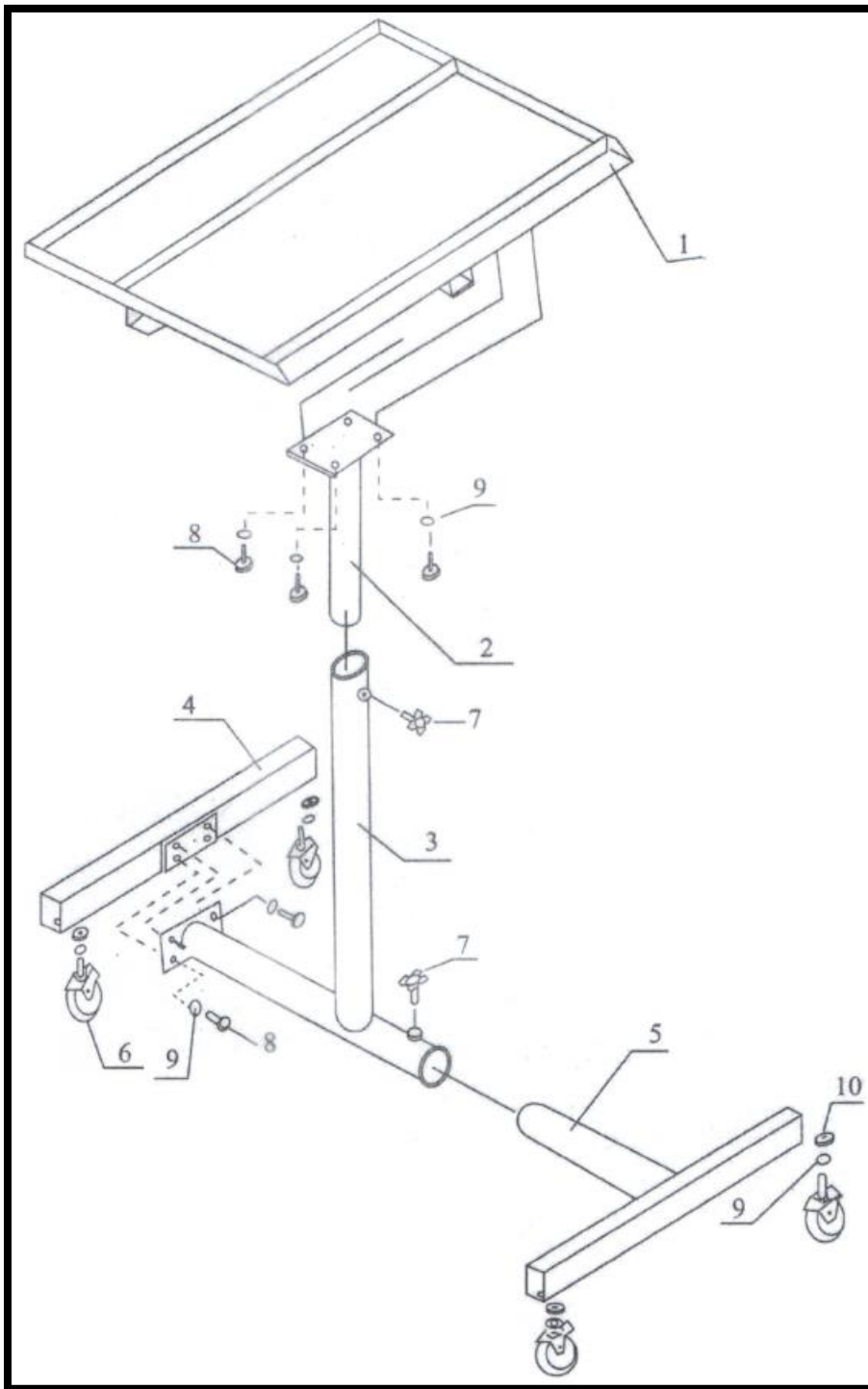
## OWNER'S MANUAL

---

**MPN(s):** WTC200, WTCD200

**SKU(s):** 840053, 840054

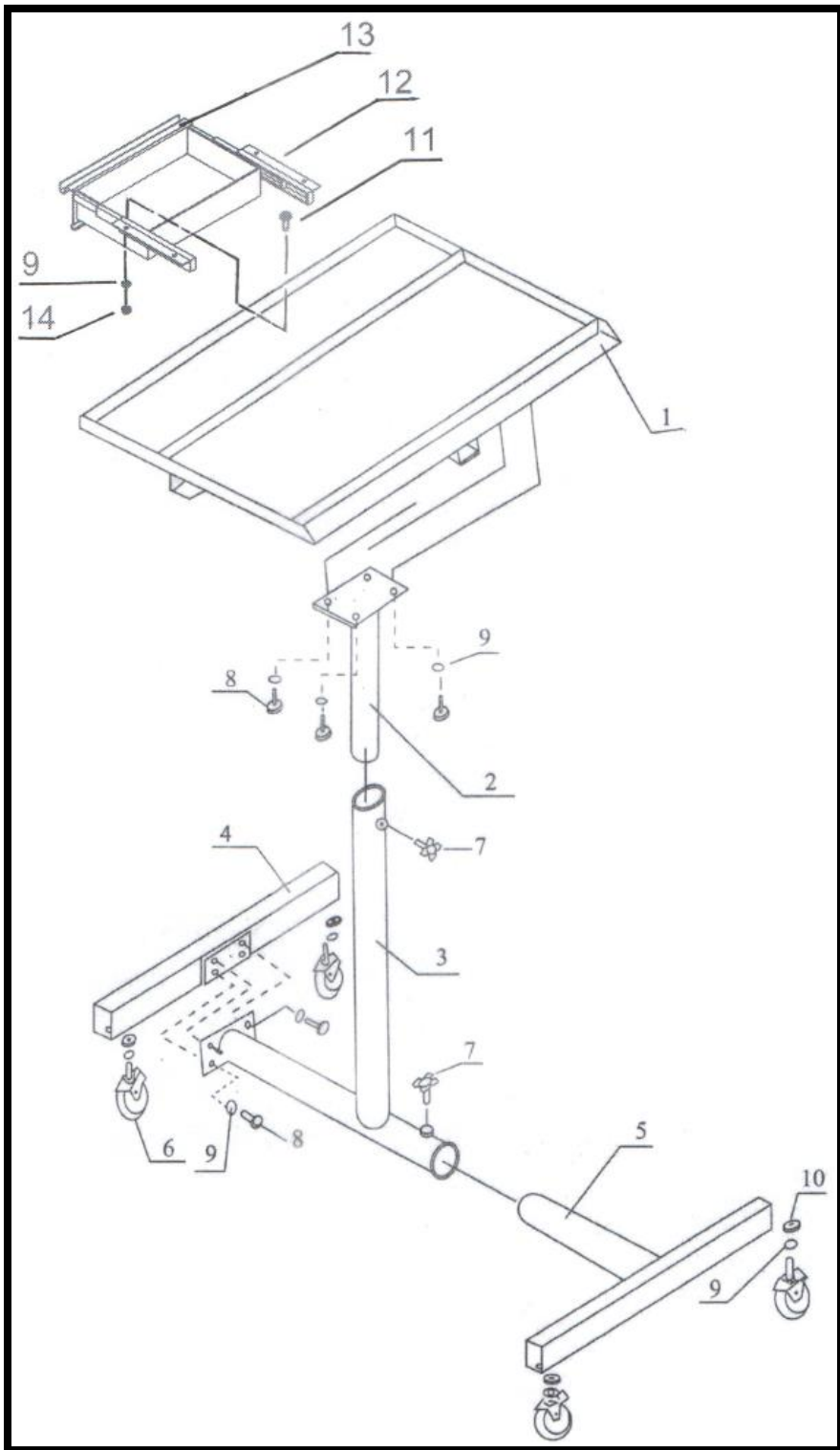
# PARTS DIAGRAM – WTC200



KEY	DESCRIPTION	QTY
(1)	TABLE BOARD	x1
(2)	ROTATING PLATE	x1
(3)	POST WELDMENT	x1
(4)	LEFT LEG	x1
(5)	RIGHT LEG	x1
(6)	2.5" CASTER	x4
(7)	SCREWROD	x2
(8)	BOLT M8x16	x8
(9)	LOCK WASHER M8	x12
(10)	NUT M8	x4



# PARTS DIAGRAM – WTCD200

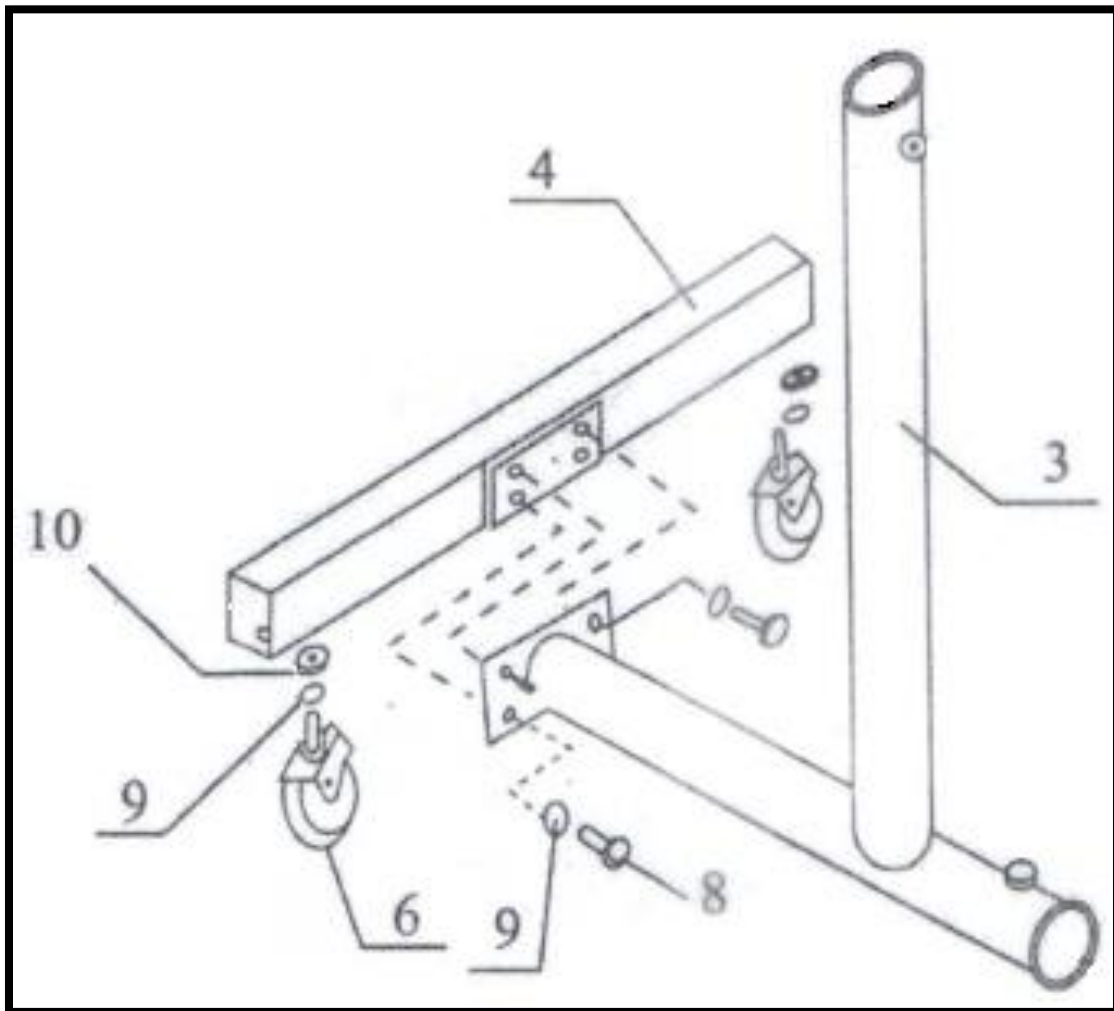


KEY	DESCRIPTION	QTY
(1)	TABLE BOARD	x1
(2)	ROTATING PLATE	x1
(3)	POST WELDMENT	x1
(4)	LEFT LEG	x1
(5)	RIGHT LEG	x1
(6)	2.5" CASTER	x4
(7)	SCREWROD	x2
(8)	BOLT M8x16	x8
(9)	LOCK WASHER M8	x12
(10)	NUT M8	x4
(11)	FLATHEAD BOLT M8	x4
(12)	DRAWER	x2
(13)	GUIDE	x1
(14)	NUT M8	x4

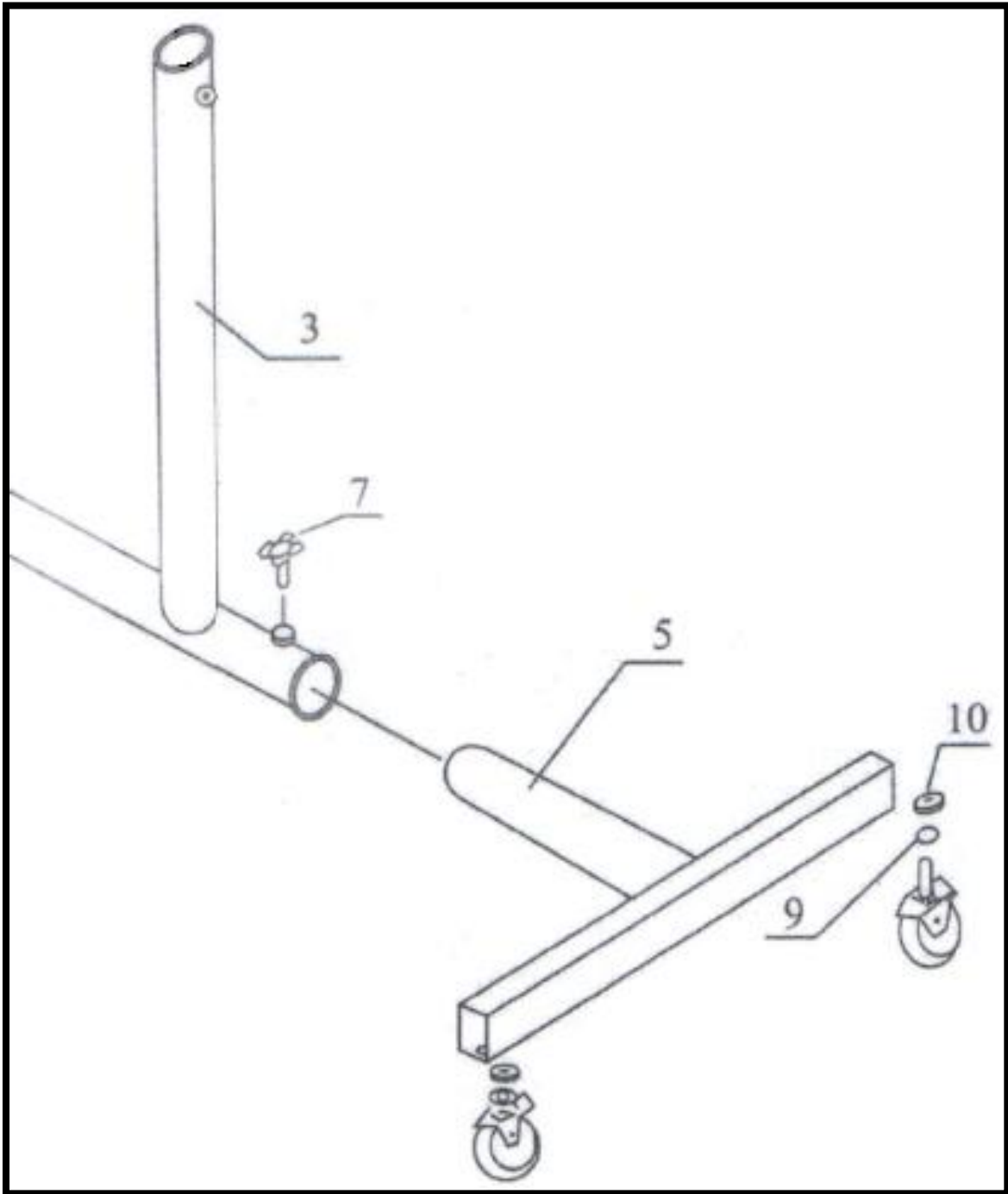
# ASSEMBLY INSTRUCTIONS

---

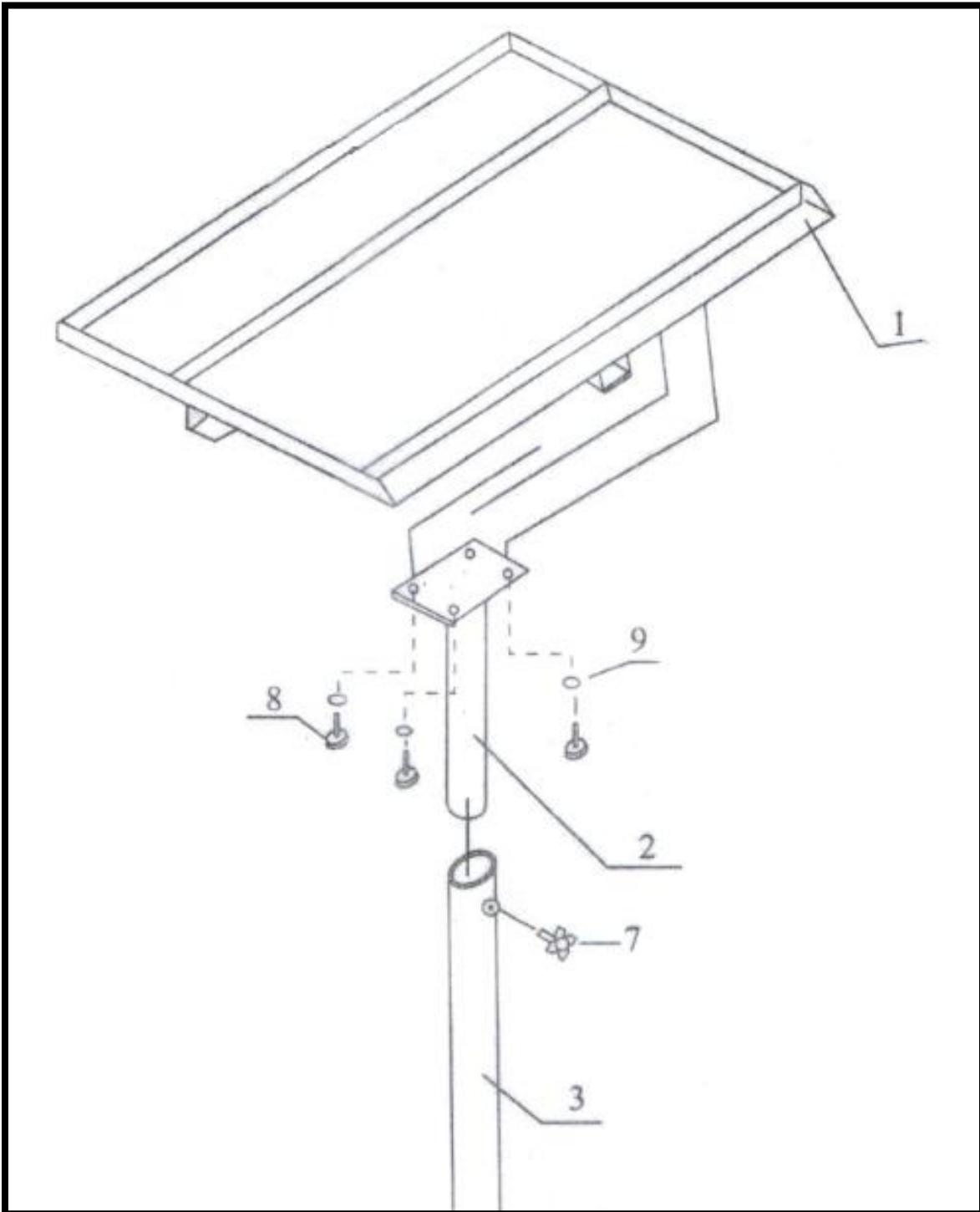
1. Attach the **LEFT LEG (4)** to the base of the **POST WELDMENT (3)** with **BOLTS M8x16 (8)** and **LOCK WASHERS M8 (9)** as seen in the illustration below.
2. Attach **2.5" CASTERS (6)** beneath the **LEFT LEG (4)** with **LOCK WASHERS (9)** and **NUTS M8 (10)**.



3. Insert the **RIGHT LEG (5)** into the base of the **POST WELDMENT (3)** and use a **SCREWROD (7)** to secure them together.
4. Attach **2.5" CASTERS (6)** beneath the **RIGHT LEG (5)** with **LOCK WASHERS (9)** and **NUTS M8 (10)**.



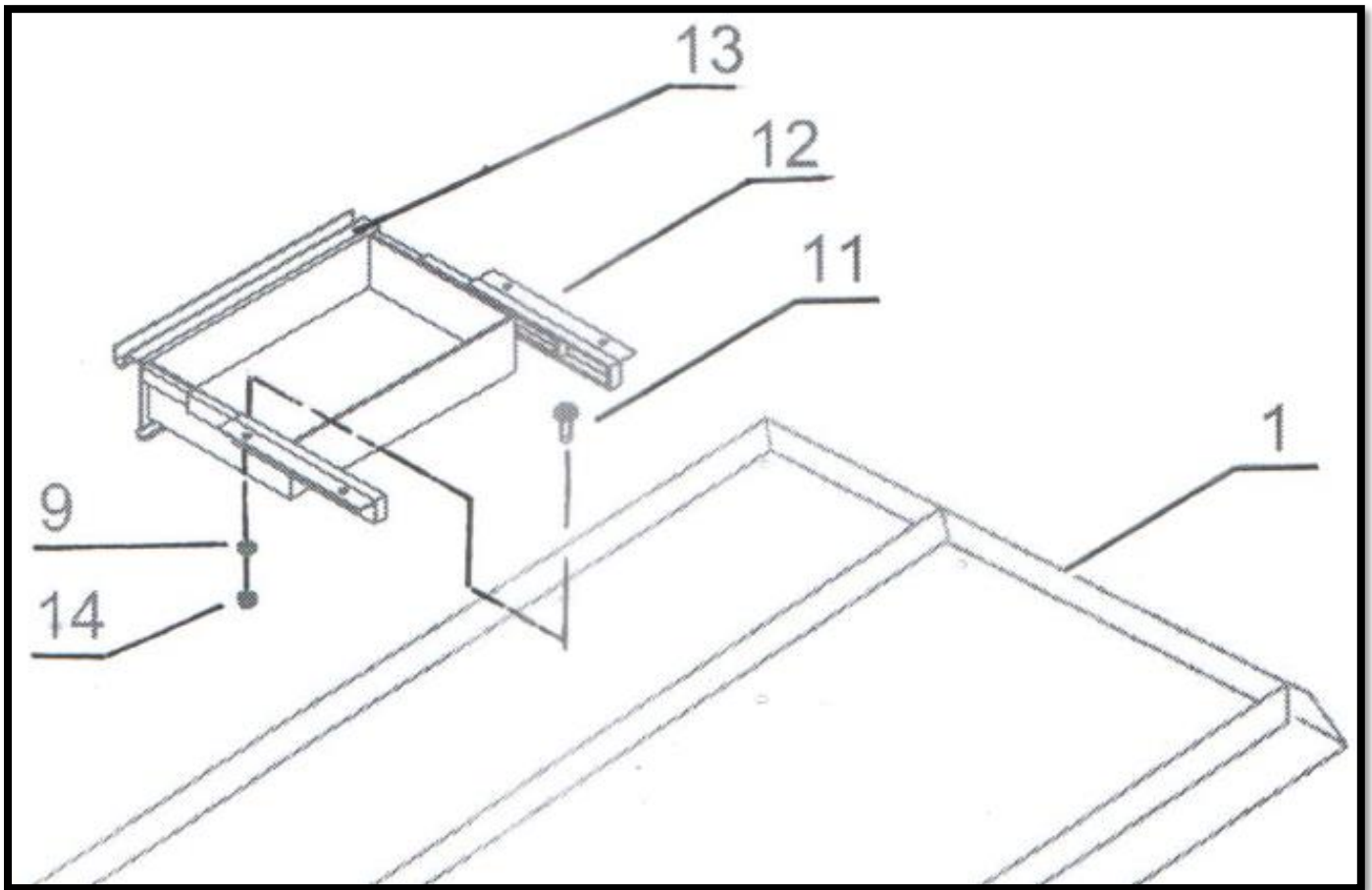
5. Insert the **ROTATING PLATE (2)** into the **POST WELDMENT (3)** and use a **SCREWROD (7)** to secure them together.
6. Use **BOLTS M8x16 (8)** and **LOCK WASHERS M8 (9)** to secure the **ROTATING PLATE (2)** to the bottom of the **TABLE BOARD (1)**.



*IF YOU HAVE THE **WTC200**, STEP 6 IS THE LAST STEP OF ASSEMBLY.*

*IF YOU HAVE THE **WTCD200**, STEP 7 IS THE LAST STEP OF ASSEMBLY.*

7. Attach the **GUIDE (13)** and the **DRAWERS (12)** to the bottom of the **TABLE BOARD (1)** with **NUTS M8 (14)**, **LOCK WASHERS M8 (9)**, and **FLATHEAD BOLTS M8 (11)**.





*This concludes the WTC Owner's Manual.*

*Make sure to tighten all nut-and-bolt combinations before use.*

*Enjoy!*

### **DISCLAIMER**

This equipment must be used with care by capable and competent individuals under supervision, if necessary.

The use of any equipment, including this one, involves the potential risk of injury. You accept and assume full responsibility for any and all injuries, damages (both economic and non-economic), and losses of any type, which may occur, and you fully and forever release and discharge Titan, its insurers, employees, officers, directors, associates, and agents from any and all claims, demands, damages, rights of action, or causes of action, present or future, whether the same be known or unknown, anticipated, or unanticipated, resulting from or arising out of the use of said equipment.

TITAN MAKES NO WARRANTY WHATSOEVER WITH RESPECT TO THE EQUIPMENT, INCLUDING ANY WARRANTY OF MERCHANTABILITY OR WARRANTY OF FITNESS FOR A PARTICULAR PURPOSE, WHETHER EXPRESS OR IMPLIED BY LAW, COURSE OF DEALING, COURSE OF PERFORMANCE, USAGE OF TRADE OR OTHERWISE. BUYER ASSUMES ALL LIABILITY IN USE OF THE EQUIPMENT.

**NEED HELP?**

**CONTACT US FIRST.**

**1 (800) 605-8241**

[info@titandistributorsinc.com](mailto:info@titandistributorsinc.com) / [www.palletforks.com](http://www.palletforks.com)

**Business Hours: Monday–Friday • 8:00 a.m.–5:00 p.m. (CT)**

