



WWW.PALLETFORKS.COM
TITAN
ATTACHMENTS

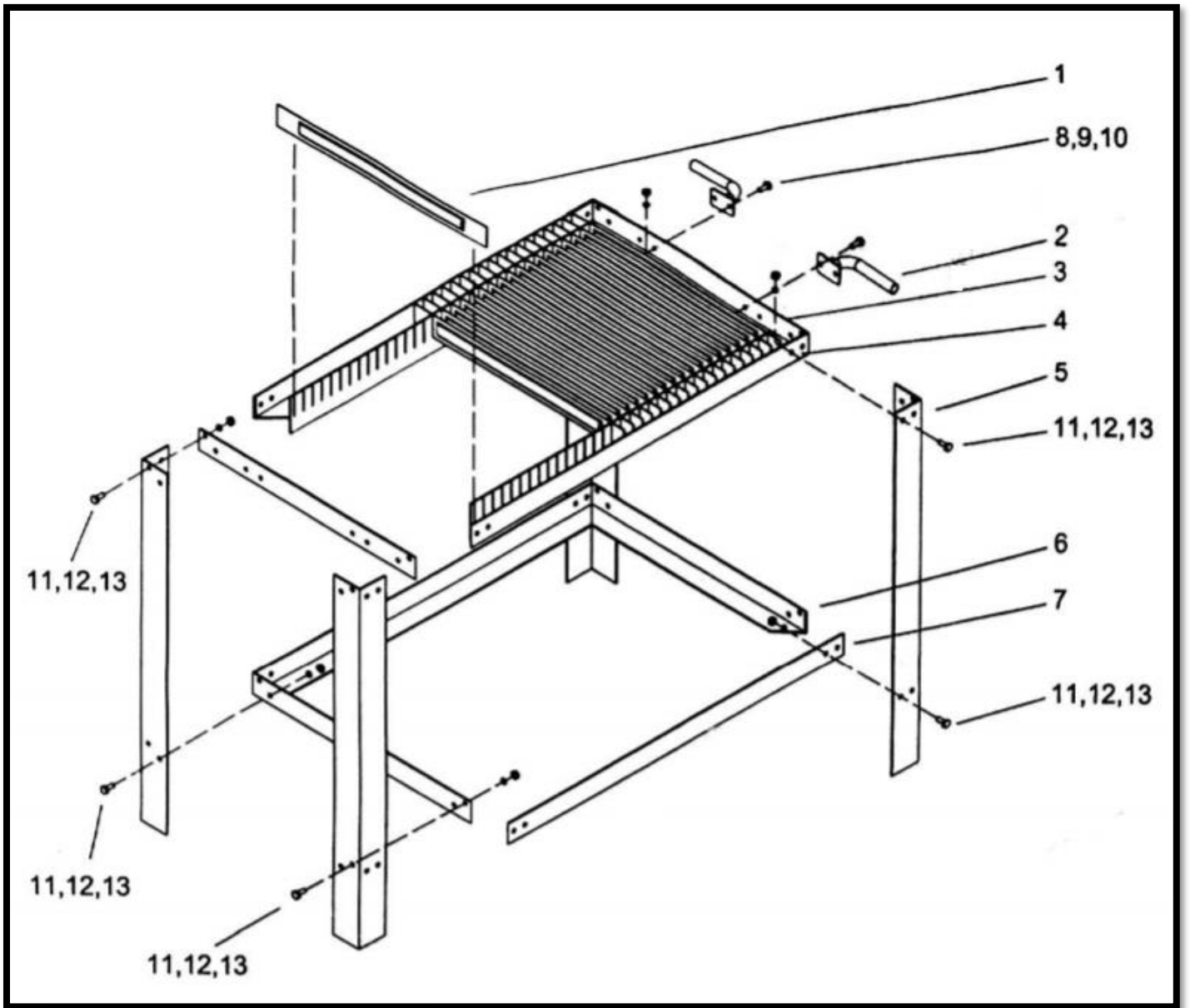


OWNER'S MANUAL

MPN(s): PLSMATBL

SKU(s): 840055

PARTS DIAGRAM



KEY	DESCRIPTION	QTY
(1)	IRON BAR	x32
(2)	HANDLE	x2
(3)	MAIN BEAM – SHORT	x2
(4)	MAIN BEAM – LONG	x2
(5)	LEG	x4
(6)	SUPPORT BEAM – SHORT	x2
(7)	SUPPORT BEAM – LONG	x2
(8)	BOLT M10	x4
(9)	SPRING WASHER Φ10	x4
(10)	NUT M10	x4
(11)	BOLT M8	x32
(12)	SPRING WASHER Φ8	x32
(13)	NUT M8	x32



This concludes the PLSMATBL Owner's Manual.

Make sure to tighten all nut-and-bolt combinations before use.

Enjoy!

DISCLAIMER

This equipment must be used with care by capable and competent individuals under supervision, if necessary.

The use of any equipment, including this one, involves the potential risk of injury. You accept and assume full responsibility for any and all injuries, damages (both economic and non-economic), and losses of any type, which may occur, and you fully and forever release and discharge Titan, its insurers, employees, officers, directors, associates, and agents from any and all claims, demands, damages, rights of action, or causes of action, present or future, whether the same be known or unknown, anticipated, or unanticipated, resulting from or arising out of the use of said equipment.

TITAN MAKES NO WARRANTY WHATSOEVER WITH RESPECT TO THE EQUIPMENT, INCLUDING ANY WARRANTY OF MERCHANTABILITY OR WARRANTY OF FITNESS FOR A PARTICULAR PURPOSE, WHETHER EXPRESS OR IMPLIED BY LAW, COURSE OF DEALING, COURSE OF PERFORMANCE, USAGE OF TRADE OR OTHERWISE. BUYER ASSUMES ALL LIABILITY IN USE OF THE EQUIPMENT.

NEED HELP?

CONTACT US FIRST.

1 (800) 605-8241

info@titandistributorsinc.com / www.palletforks.com

Business Hours: Monday–Friday • 8:00 a.m.–5:00 p.m. (CT)

