



WWW.PALLETFORKS.COM  
**TITAN**  
ATTACHMENTS



## OWNER'S MANUAL

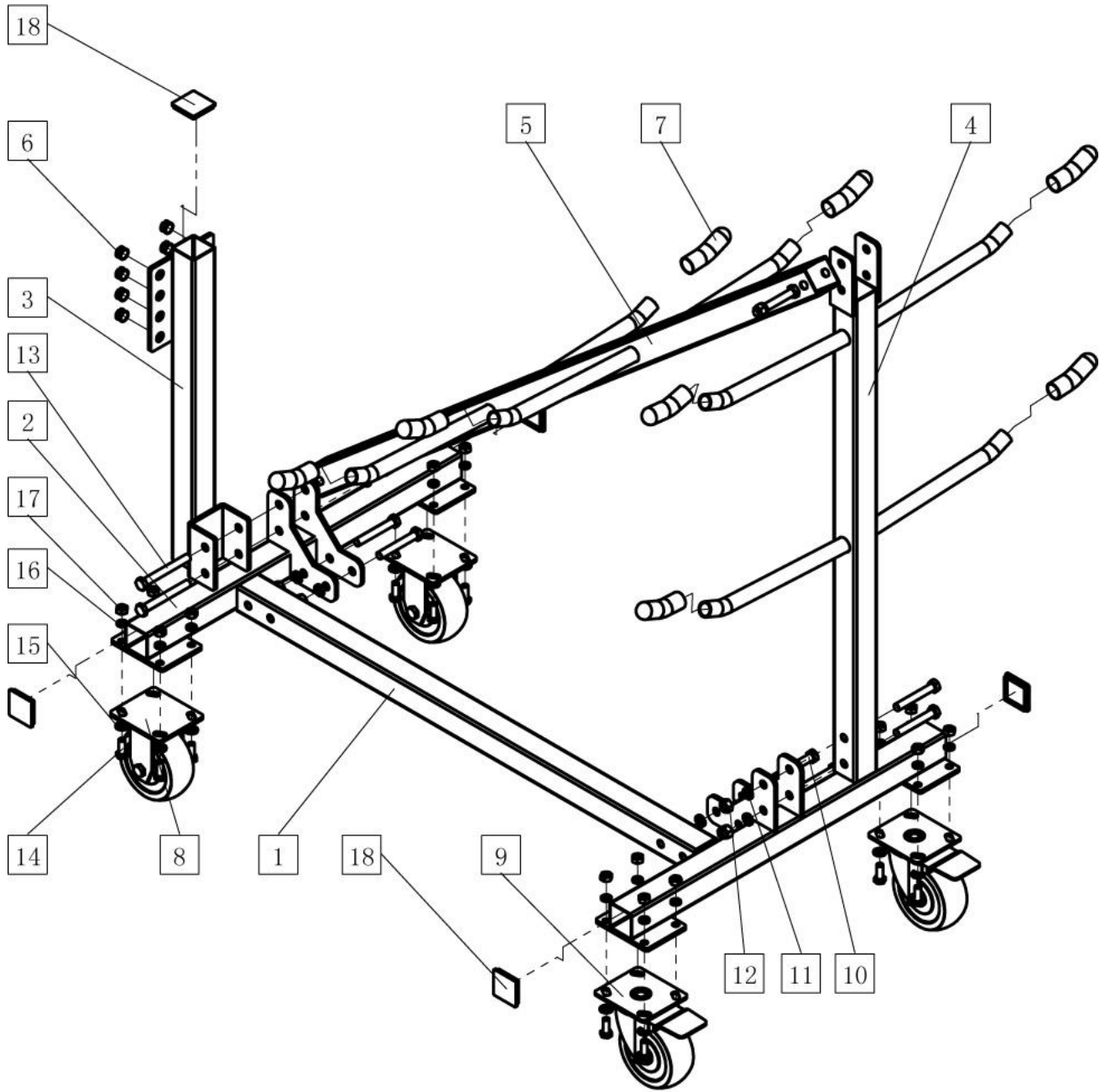
---

**MPN(s):** 8CD1200

**SKU(s):** 840117

**UPC(s):** 840009202117

# PARTS DIAGRAM / EXPLODED VIEW

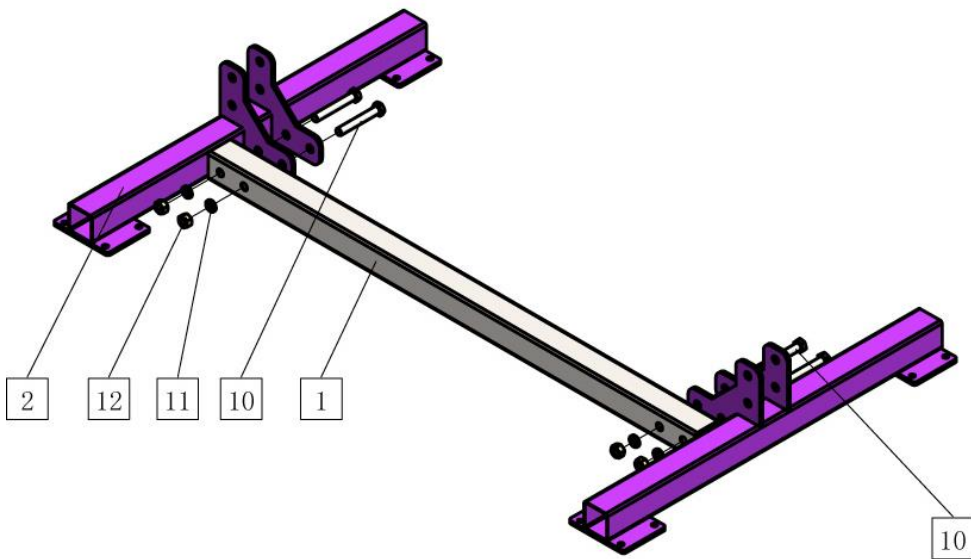


<b>KEY</b>	<b>BOX</b>	<b>DESCRIPTION</b>	<b>QTY</b>
(1)		Bottom Truss	1
(2)		Wheel Brace	2
(3)		Wire Outlet Post	1
(4)		Upright Post	1
(5)		Sloping Post	1
(6)		Wire Outlet Plastic Liner	8
(7)		Rubber Tube End Sleeve	8
(8)		5" Swivel Wheel	2
(9)		5" Swivel Wheel w/Lock	2
(10)		Hexa Bolt M12x80	7
(11)		Spring Washer 12	9
(12)		Hexa Nut M12	9
(13)		Hexa Bolt M12x100	2
(14)		Hexa Bolt M10x25	16
(15)		Flat Washer 10	16
(16)		Spring Washer 10	16
(17)		Hexa Nut M10	16
(18)		Square Tube End Cap	5



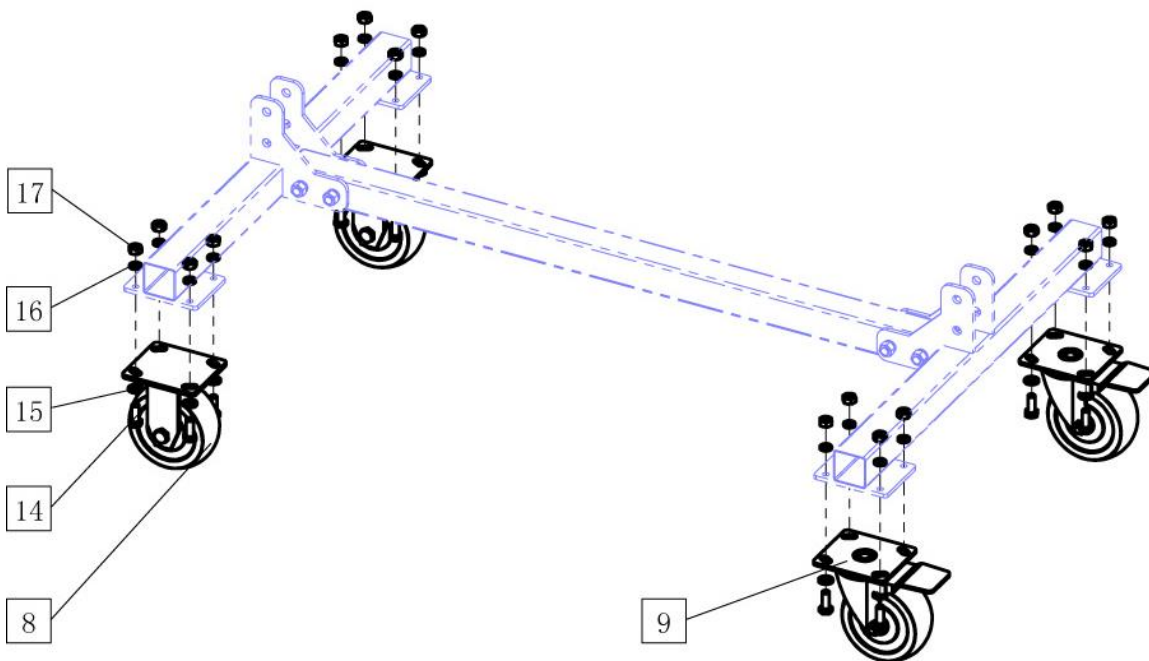
# ASSEMBLY INSTRUCTIONS

## Step 1 – Attach Bottom Truss to Wheel Brace



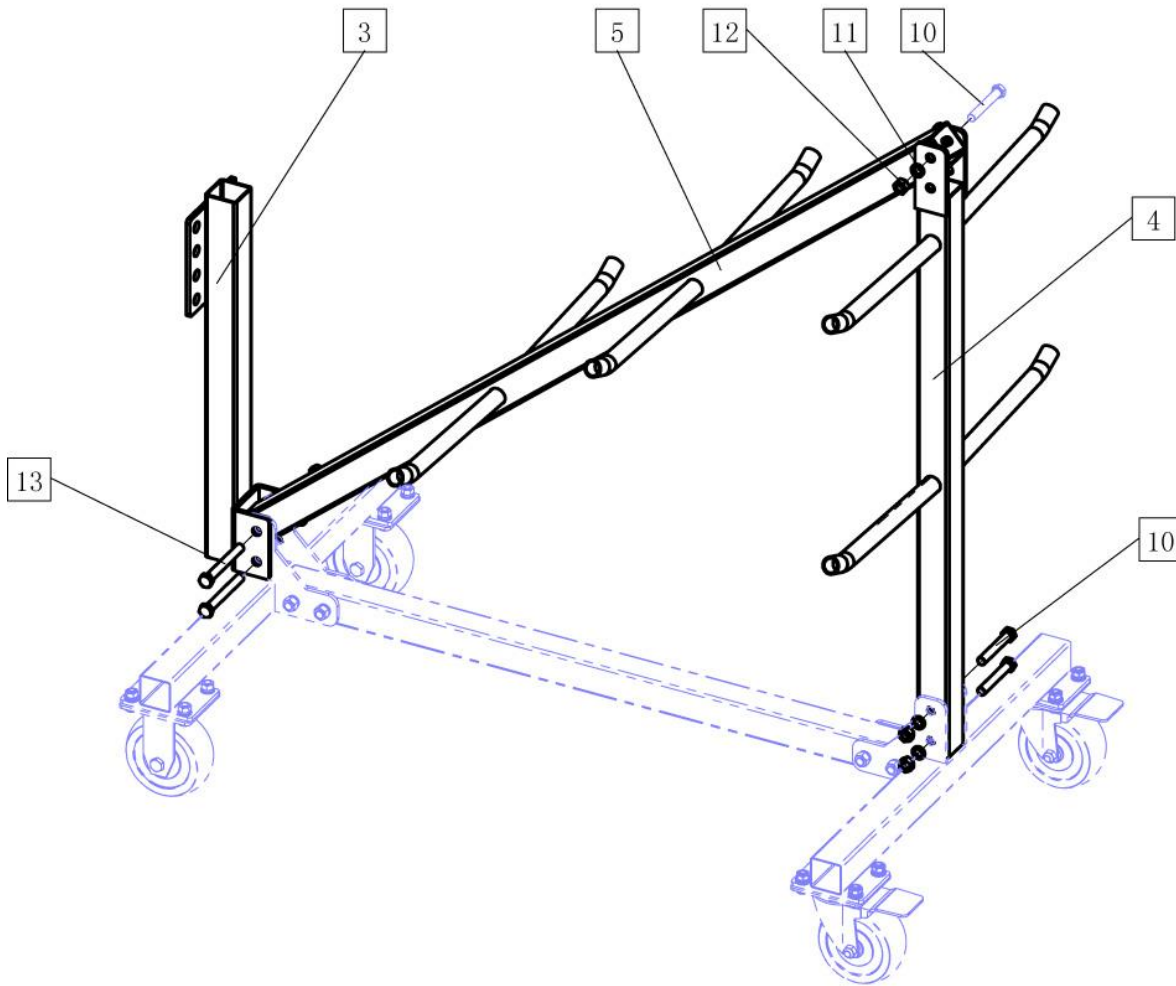
Attach Bottom Truss (1) to Wheel Brace (2) at each end using Hexa Bolt M12x80 (10), Spring Washer 12 (11) and Hexa Nut M12 (12). The order of assembly is to insert Hexa Bolt M12x80 (10) through these parts, and then place Spring Washer 12 (11) and Hexa Nut M12 (12) onto the end of the bolt. Fasten the hardware on, but do not tighten until the whole Base Assembly is fully assembled.

## Step 2 – Install Wheels on Wheel Brace



Attach two 5" Swivel Wheel w/Lock (9) onto the Wheel Brace (2) where the Upright Post (4) will be erected, using Hexa Bolt M10x25 (14), Flat Washer 10 (15), Spring Washer 10 (16) and Hexa Nut M10 (17). Attach two 5" Swivel Wheel (8) onto the Wheel Brace (2) on the other Wheel Brace (2) using Hexa Bolt M10x25 (14), Flat Washer 10 (15), Spring Washer 10 (16) and Hexa Nut M10 (17). The order of assembly is to insert Hexa Bolt M10x25 (14) through these parts, and then place Spring Washer 10 (16) and Hexa Nut M10 (17) onto the end of the bolt. Tighten all hardware.

**Step 3 – Attach Upright Post, Wire Outlet Post and Sloping Post to Base Assembly**

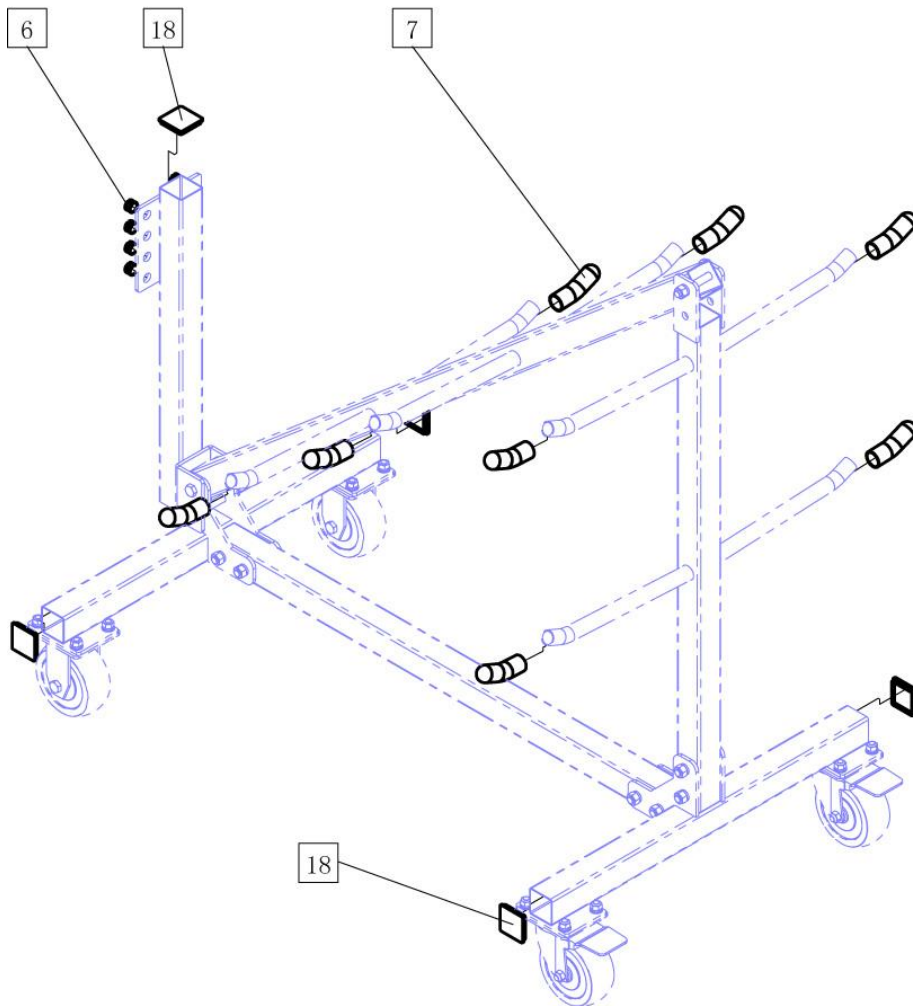


1. Attach Upright Post (4) to the Base Assembly using Hexa Bolt M12x80 (10), Spring Washer 12 (11) and Hexa Nut M12 (12). The order of assembly is to insert Hexa Bolt M12x80 (10) through these parts, and then place Spring Washer 12 (11) and Hexa Nut M12 (12) onto the end of the bolt. Fasten the hardware on, but do not tighten until the all the top parts are fully assembled.
2. Attach Sloping Post (5) to the top bracket of the Upright Post (4) using Hexa Bolt M12x80 (10), Spring Washer 12 (11) and Hexa Nut M12 (12). The order of assembly is to insert Hexa Bolt M12x80 (10) through these parts, and then place Spring Washer 12 (11) and Hexa Nut M12 (12) onto the end of the bolt. Fasten the hardware on, but do not tighten until all the top parts are fully assembled.



3. Align the lower holes of the Sloping Post (5) with the holes on the bracket of Bottom Truss (1), and then insert the bracket of Wire Outlet Post (3). Align all holes and then attached these parts together using Hexa Bolt M12x100 (13), Spring Washer 12 (11) and Hexa Nut M12 (12). The order of assembly is to insert Hexa Bolt M12x100 (13) through these parts, and then place Spring Washer 12 (11) and Hexa Nut M12 (12) onto the end of the bolt. Fasten the hardware on, and tighten all hardware of the top parts. The metallic structure is fully assembled by now.

#### Step 4 – Putting on Plastic Caps



1. Put on Rubber Tube End Sleeve (7) to the end of the wire spool holder tube.
2. Put on Wire Outlet Plastic Liner (6) to the wire outlet holes.
3. Put on Square Tube End Cap (18) to square tubing ends.



*This concludes the 8CD1200 Owner's Manual.*

*If applicable to your product, make sure to tighten all nut-and-bolt combinations before use.*

*Enjoy!*

### **DISCLAIMER**

This equipment must be used with care by capable and competent individuals under supervision, if necessary.

The use of any equipment, including this one, involves the potential risk of injury. You accept and assume full responsibility for any and all injuries, damages (both economic and non-economic), and losses of any type, which may occur, and you fully and forever release and discharge Titan, its insurers, employees, officers, directors, associates, and agents from any and all claims, demands, damages, rights of action, or causes of action, present or future, whether the same be known or unknown, anticipated, or unanticipated, resulting from or arising out of the use of said equipment.

TITAN MAKES NO WARRANTY WHATSOEVER WITH RESPECT TO THE EQUIPMENT, INCLUDING ANY WARRANTY OF MERCHANTABILITY OR WARRANTY OF FITNESS FOR A PARTICULAR PURPOSE, WHETHER EXPRESS OR IMPLIED BY LAW, COURSE OF DEALING, COURSE OF PERFORMANCE, USAGE OF TRADE OR OTHERWISE. BUYER ASSUMES ALL LIABILITY IN USE OF THE EQUIPMENT.

NEED HELP?

CONTACT US FIRST.

**1 (800) 605-8241**

[info@titandistributorsinc.com](mailto:info@titandistributorsinc.com) / [www.palletforks.com](http://www.palletforks.com)

**Business Hours: Monday–Friday • 8:00 a.m.–5:00 p.m. (CT)**

