

5 FT WORKBENCH TABLE WITH TOOL CABINET

TCFY-824SH1_W-TCFY-824SH2

840124



Operator's Manual

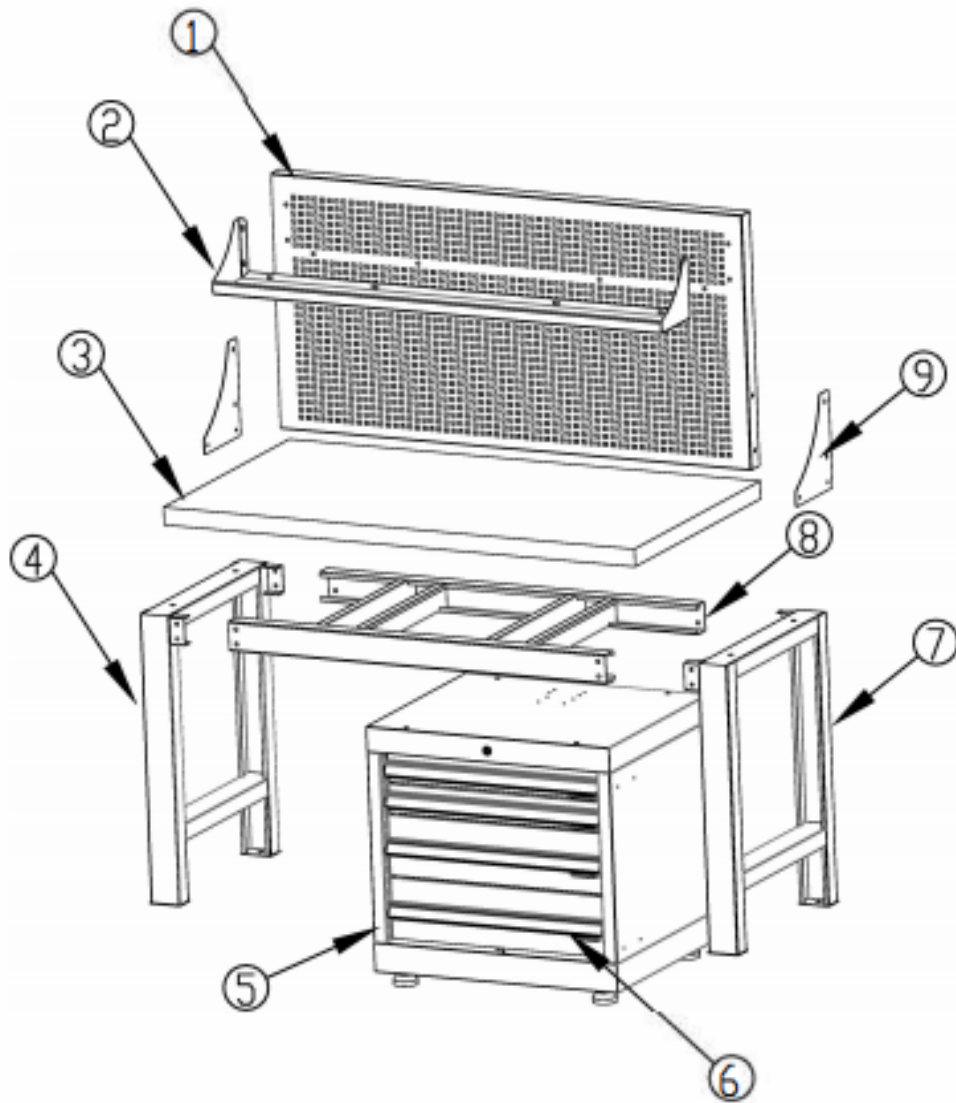


Read the Operator's Manual entirely. When you see this symbol, the subsequent instructions and warnings are serious follow without exception. Your life and the lives of others depend on it!

Cover photo may show optional equipment not supplied with standard unit. For an Operator's Manual and Decal Kit in French or Spanish Language, please see your dealer.



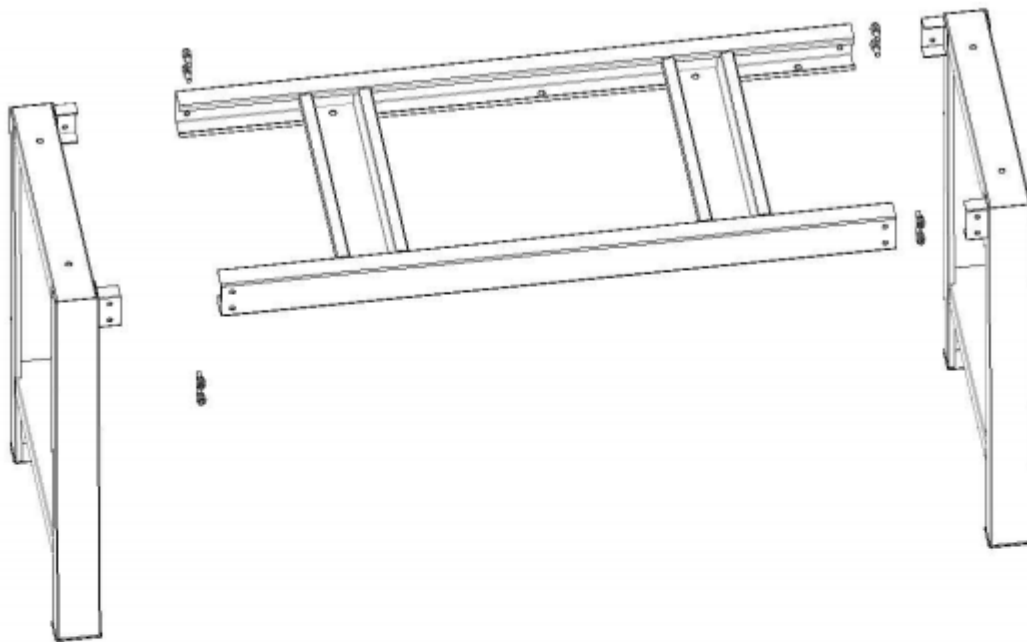
PARTS DIAGRAM / EXPLODED VIEW





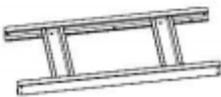

KEY	PART	DESCRIPTION	QTY
(1)	T-824SH1	PEGBOARD	1
(2)	T-824SH2	SHELF	1
(3)	T-824SH3	TABLETOP	1
(4)	T-824SH4	LEFT SUPPORT FRAME	1
(5)	T-824SH5	TOOL CABINET	1
(6)	T-824SH6	DRANER	4
(7)	T-824SH7	RIGHT SUPPORT FRAME	1
(8)	T-824SH8	CROSS BEAM	1
(9)	T-824SH9	MOUNTING PLATE	2

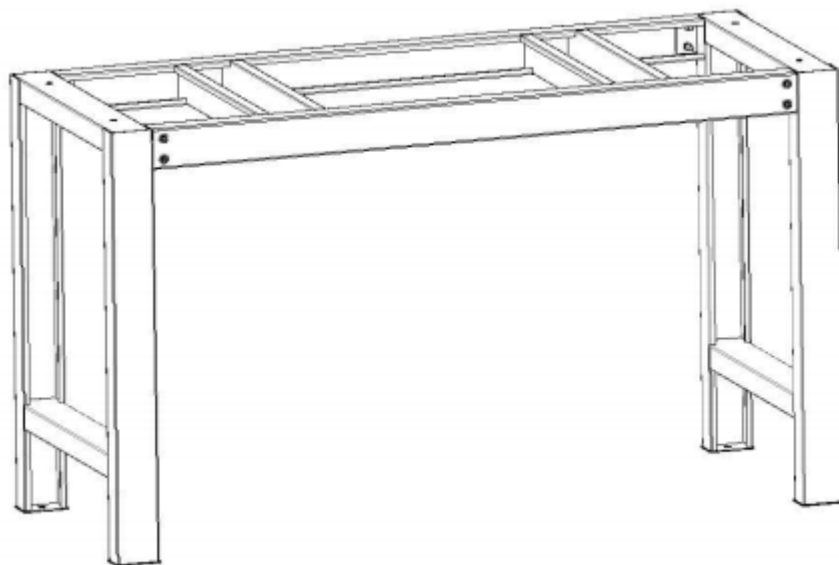
INSTALLATION INSTRUCTIONS

STEP 1

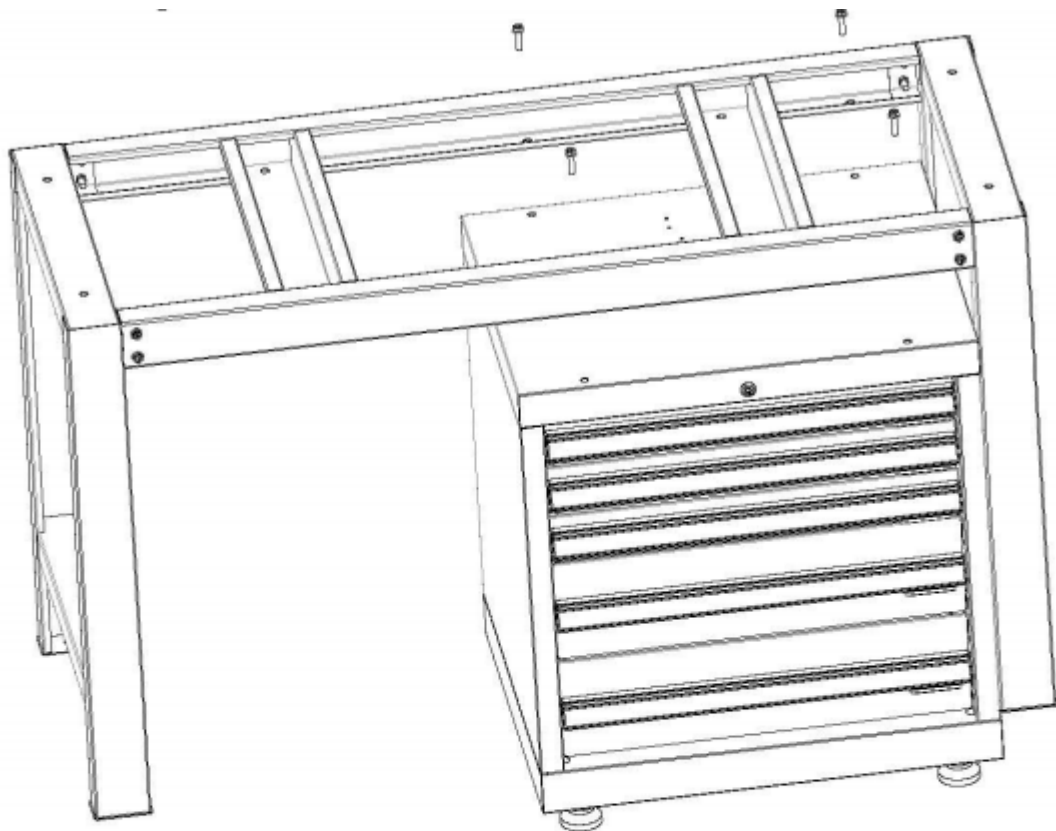


Components:




Item No	④	⑦	⑧	⑩
Description	Left support frame	Right support frame	Cross beam	Screw
Quantity	1pc	1pc	1pc	8pcs
Pictures				

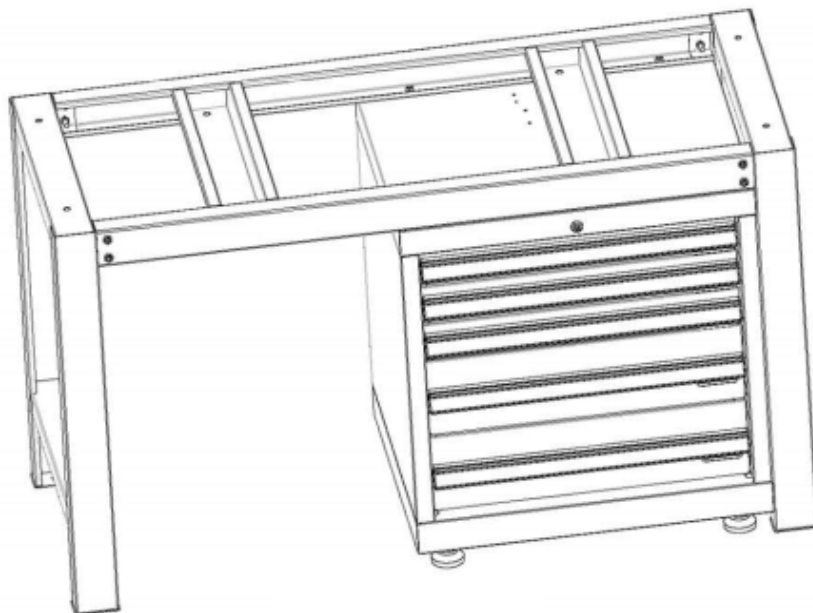


STEP 2



Components:

Item No	⑤	Part 1	⑩
Description	Tool Cabinet	Rack (Step 1)	Screw
Quantity	1pc	1 set	4pcs
Pictures			



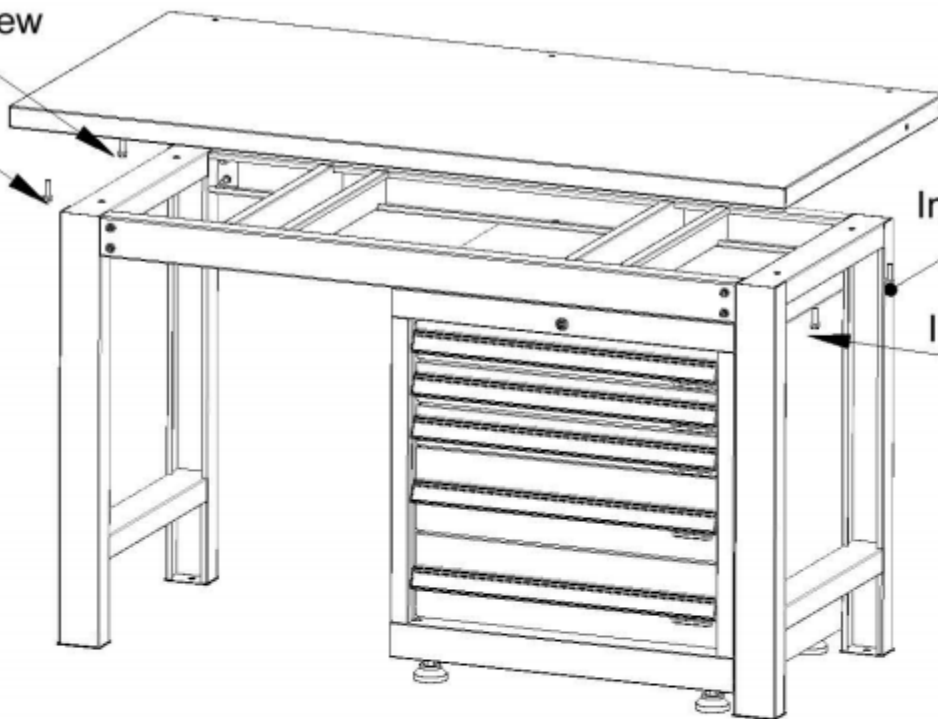
STEP 3

Install a screw

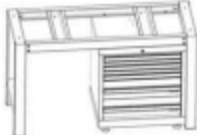


Install a screw

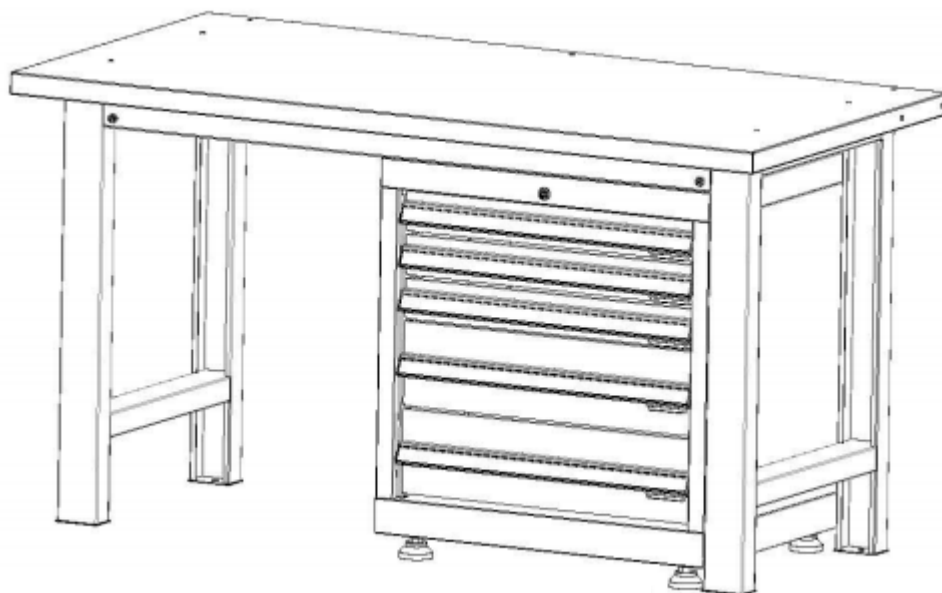
Install a screw

Install a screw

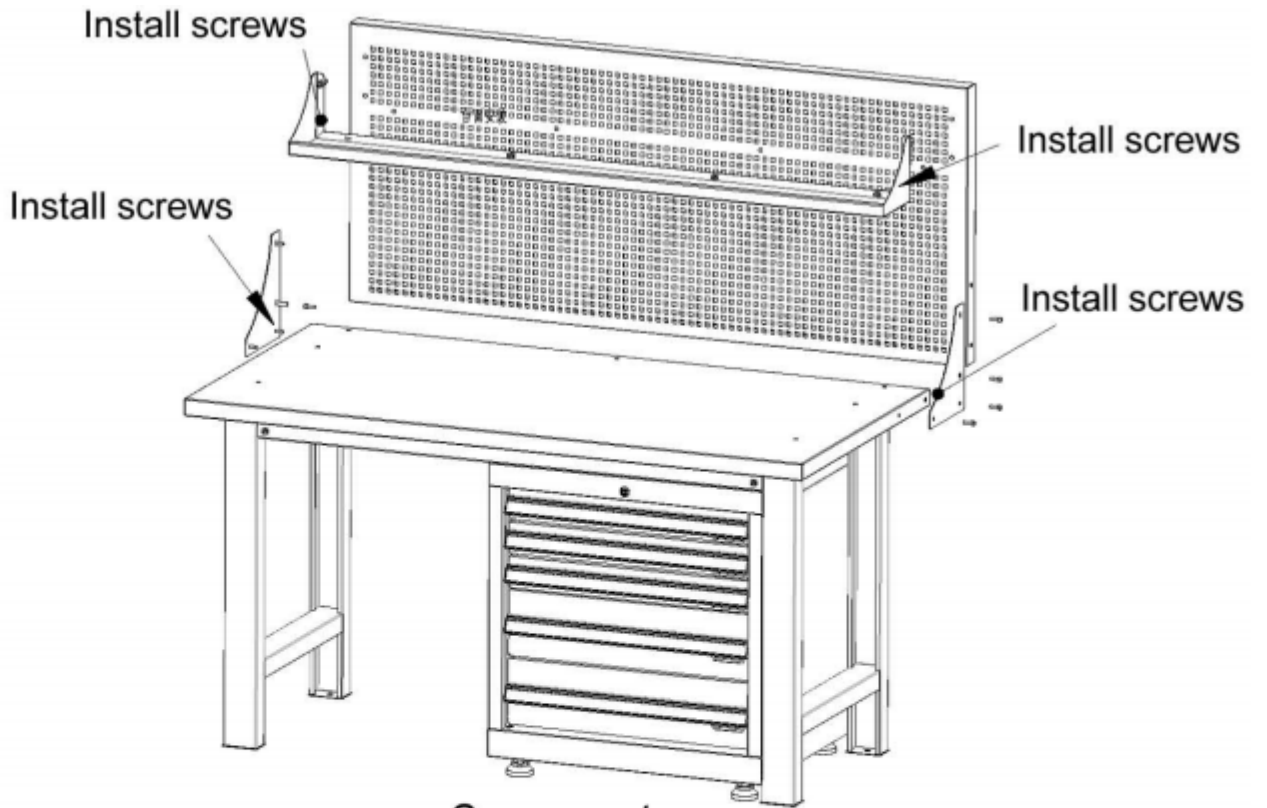


Components:

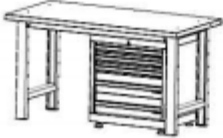
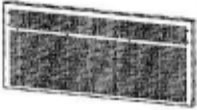

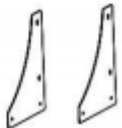

Item No	Part 2	③	⑩
Description	Cabinet	tabletop	Screw
Quantity	1 set	1pc	4pcs
Pictures			

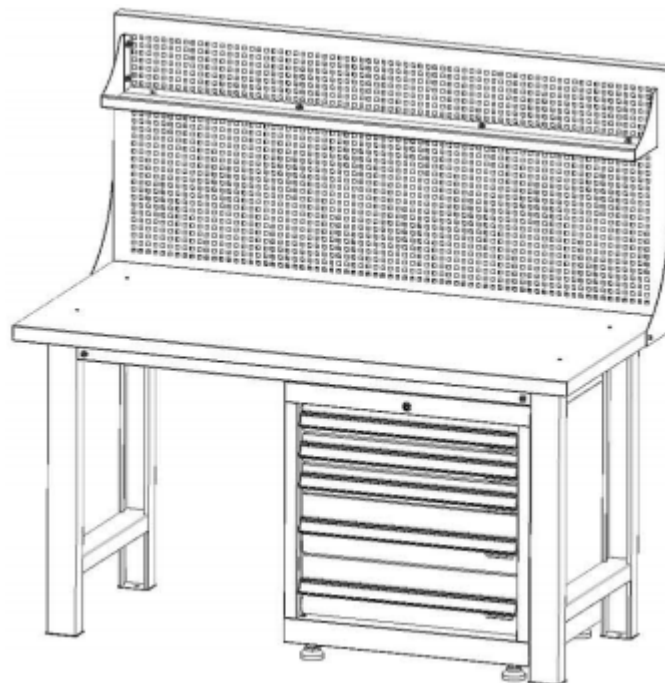


STEP 4



Components:

Item No	Part 3	①	②	⑨	⑩
Description	Cabinet with tabletop	Pegboard	Shelf	Mounting Plate	Screw
Quantity	1 set	1pc	1pc	2pcs	
Pictures					



ACKNOWLEDGEMENT OF RISK AND RELEASE OF LIABILITY

The use of any equipment, including this one, involves the potential risk of injury. Apart from any warranty claim that might be presented for a claimed defect in material or workmanship of the product, you accept and assume full responsibility for any and all injuries, damages (both economic and non-economic), and losses of any type, which may occur, and you fully and forever release and discharge Titan, its insurers, employees, officers, directors, associates, and agents from any and all claims, demands, damages, rights of action, or causes of action, present or future, whether the same be known or unknown, anticipated, or unanticipated, resulting from or arising out of the use of said equipment.

This equipment must be used with care by capable and competent individuals under supervision, if necessary.

WARNING



Do not overfill! Mower should be level when checking oil in gear box.



some activities might be able to cause electric shock



Sharp objects may be involved.
Use protective cover during maintenance.

TITAN LIMITED WARRANTY: TERMS, EXCLUSIONS AND LIMITATIONS OF REMEDIES

This product comes with a one (1) year limited warranty that can be found at www.palletforks.com/warranty.html. Please review the same for all details regarding the Titan Limited Warranty.

THE TITAN LIMITED WARRANTY FOUND AT WWW.PALLETFORKS.COM/WARRANTY.HTML IS EXCLUSIVE AND IS IN LIEU OF ALL OTHER WARRANTIES, EXPRESS OR IMPLIED, INCLUDING ANY IMPLIED WARRANTY OF MERCHANTABILITY AND/OR FITNESS FOR A PARTICULAR PURPOSE, EACH OF WHICH IS HEREBY DISCLAIMED.



NEED HELP? CONTACT US FIRST.

1-800-605-7595

info@palletworks.com
www.palletforks.com

© 2021 Titan Brands