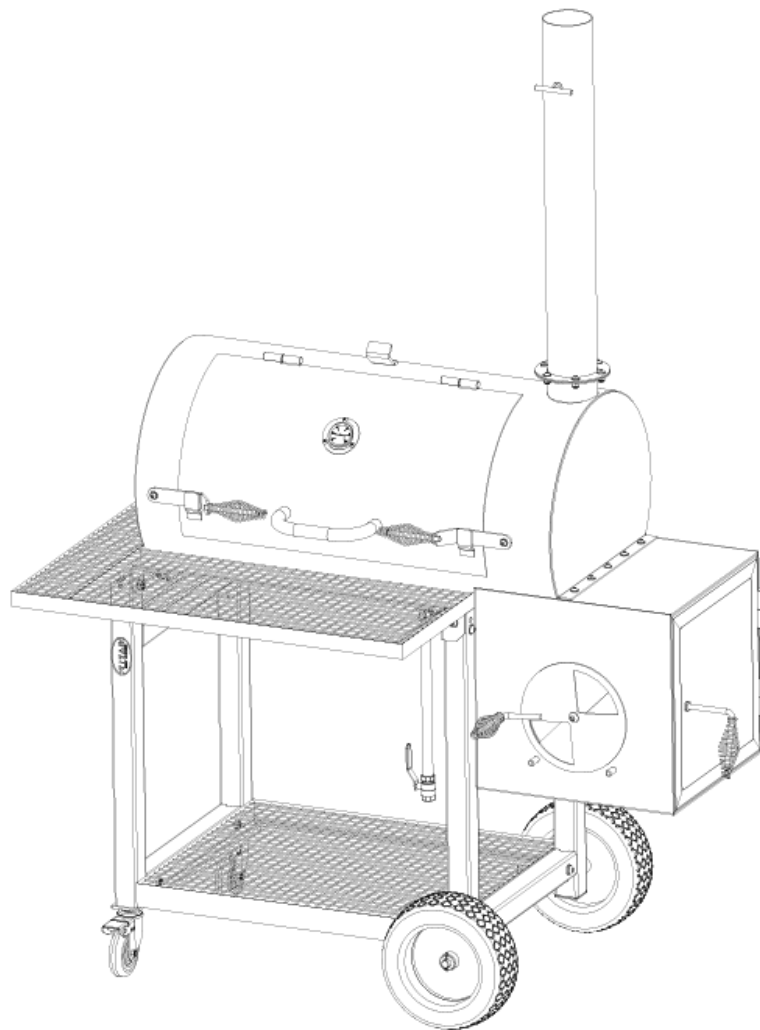


TITAN

GREAT OUTDOORS



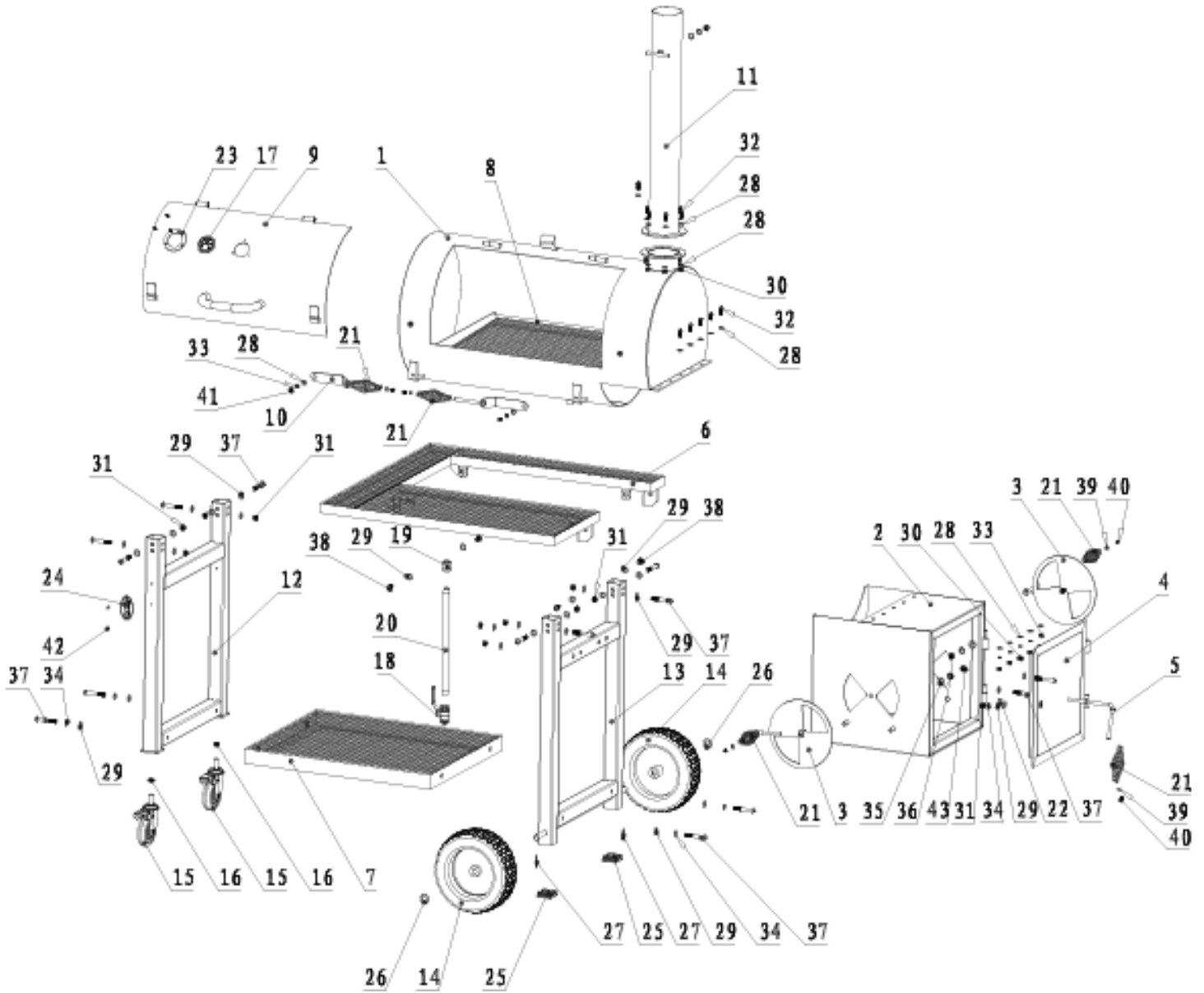
OWNER'S MANUAL

MPN(s):

SKU(s):

UPC(s):

PARTS DIAGRAM / EXPLODED VIEW



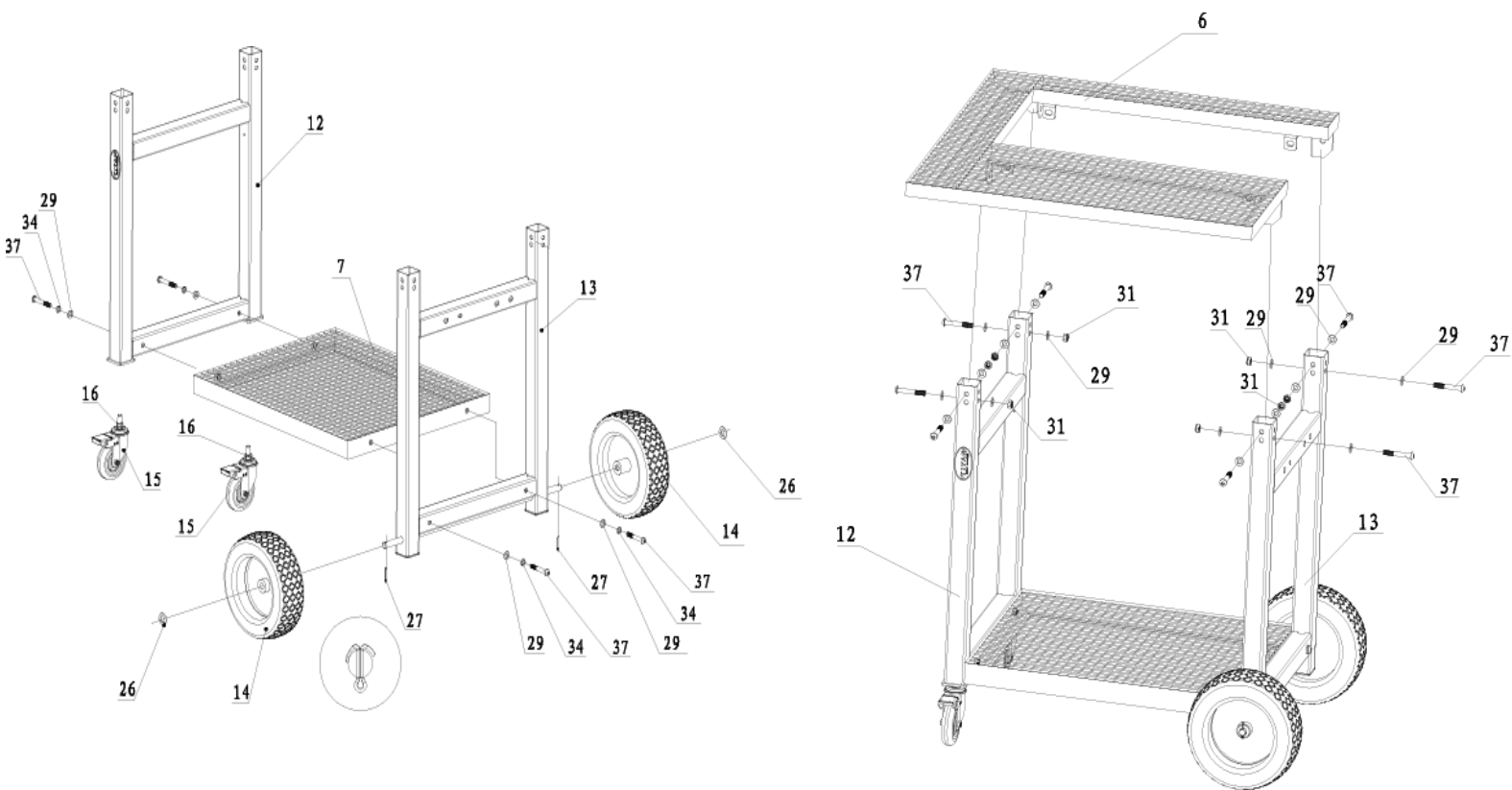
KEY	BOX	DESCRIPTION	QTY
(1)	1	Oven Housing	1
(2)	1	Oven	1
(3)	1	Ventilation Door	2
(4)	1	Oven Door	1
(5)	1	Oven Door Handle	1
(6)	1	Hearth Plate	1
(7)	1	Pallet Frame	1
(8)	1	Ovenware	1
(9)	1	Oven Cover	1
(10)	1	Fixing Plate	2
(11)	1	Chimney	1
(12)	1	Front Upright Frame	1
(13)	1	Rear Upright Frame	1
(14)	1	Wheel $\Phi 270 * \Phi 16 * 86.5$	2
(15)	1	Brake Wheel $\Phi 100 * M12$	2
(16)	1	Thin Nut M12	2
(17)	1	Thermometer $\Phi 61 * \Phi 50.2 * 17$	1
(18)	1	Brass Ball Valve Q17H-T-DN1/2	1
(19)	1	Pipe Hoop DN1/2	1
(20)	1	Oil Tube $\Phi 20 * 3 * 358 * G1/2$	1
(21)	1	Spring $\Phi 40 * \Phi 3 * 120$	5
(22)	1	Fixing Plate 55*10*3	1
(23)	1	Thermometer Fixing Plate $\Phi 78 * \Phi 53 * 1.5$	1
(24)	1	Brand Name 80*45*1.5	1
(25)	1	End Cap F50*2	2
(26)	1	Flat Washer $\Phi 17 * \Phi 30 * 3$	2
(27)	1	Cotter Pin $\Phi 4 * 35$	2
(28)	1	Flat Washer $\Phi 9 * \Phi 16 * 1.6$	24
(29)	1	Flat Washer $\Phi 11 * \Phi 20 * 2$	30
(30)	1	Nut M8	11
(31)	1	Nut M10	12
(32)	1	Pan Head, Hex Bolt M8*20	11
(33)	1	Spring Washer $\Phi 8$	7
(34)	1	Spring Washer $\Phi 10$	6
(35)	1	Flat Washer $\Phi 13.5 * \Phi 24 * 2.5$	2
(36)	1	Spring Washer $\Phi 12$	2
(37)	1	Pan Head, Hex Bolt M10*70	14
(38)	1	Pan Head, Hex Bolt M10*20	4
(39)	1	Flat Washer $\Phi 6.6 * \Phi 12 * 1.6$	5
(40)	1	Pan Head, Hex Bolt M6*10	8
(41)	1	Pan Head, Hex Bolt M8*15	2
(42)	1	Mushroom Head Break Mandrel Blind Rivets $\Phi 4 * 12$	2
(43)	1	Nut M12	2



ASSEMBLY INSTRUCTIONS

Step 1

1. Fix Wheel (14) to the Rear Upright Frame (13) using Cotter Pin (27). Fold the Cotter Pin (27) into the pattern shown.
2. Fix Brake Wheel (15) to the Front Upright Frame (12) using Thin Nut M12 (16). Adjust height and tighten the bolts.
3. Assemble Front Upright Frame (12), Rear Upright Frame (13) and Pallet Frame (7) using Pan Head, Hex Bolt M10*70 (37) *4, Spring Washer $\Phi 10$ (34) *4 and Flat Washer $\Phi 11*\Phi 20*2$ (29) *4.
4. Please tighten all the bolts and nuts.



1

2

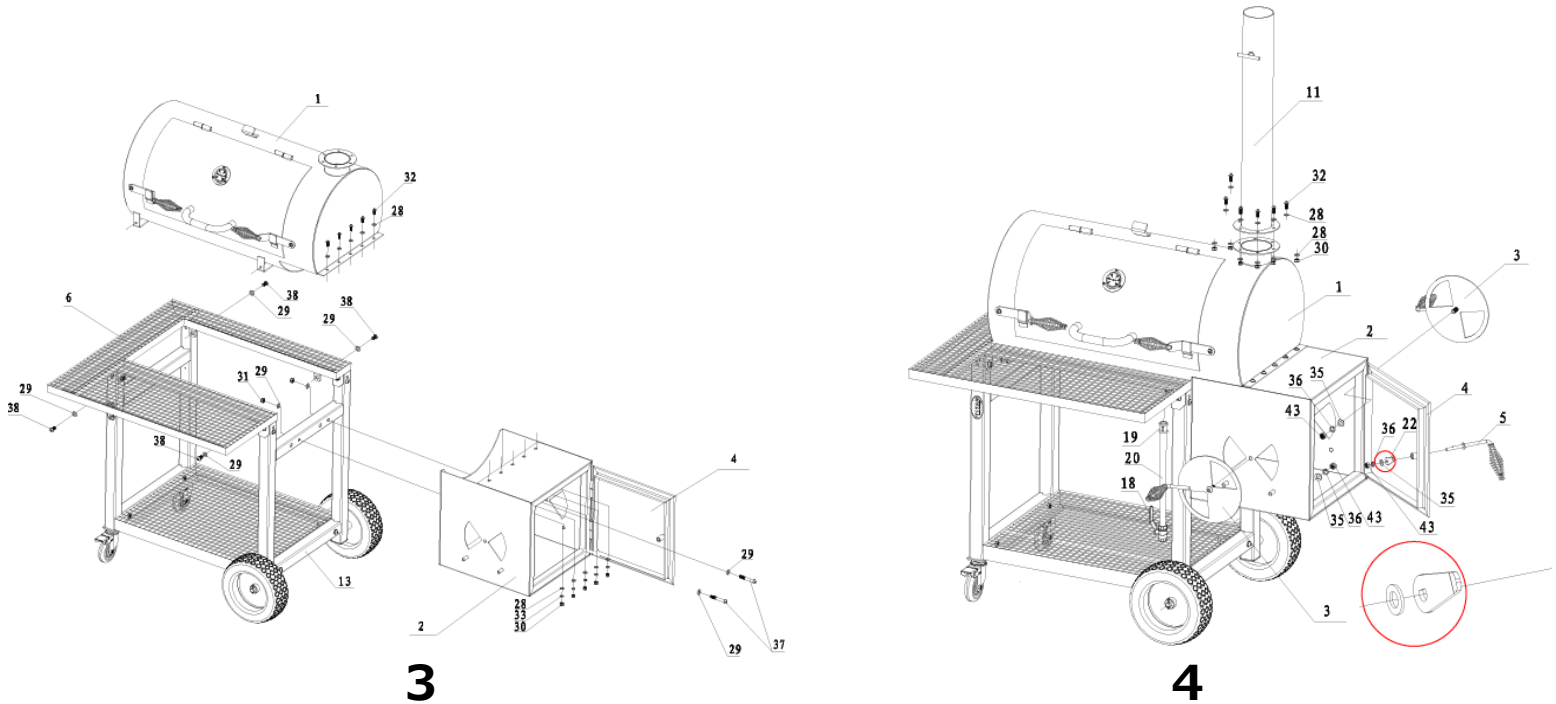
Step 2

Assemble Front Upright Frame (12), Rear Upright Frame (13) and Hearth Plate (6) using Pan Head, Hex Bolt M10*70 (37) *8, Nut M10 (31) *8 and Flat Washer $\Phi 11*\Phi 20*2$ (29) *16.



Step 3

1. Put Oven Housing (1) on the notch in the Hearth Plate (6).
2. Install the combination of Oven (2) and Oven Door (4) on Rear Upright Frame (13) using Pan Head, Hex Bolt M10*70 (37) *2, Nut M10 (31) *2 and Flat Washer $\Phi 11*\Phi 20*2$ (29) *4. Don't tighten the bolts.
3. Assemble Oven Housing (1) and Oven (2) using Pan Head, Hex Bolt M8*20 (32) *5, Flat Washer $\Phi 9*\Phi 16*1.6$ (28) *10 and Spring Washer $\Phi 8$ (33) *5.
4. Install Oven Housing (1) on the Hearth Plate (6) using Pan Head, Hex Bolt M10*20 (38) *4 and Flat Washer $\Phi 11*\Phi 20*2$ (29) *4.



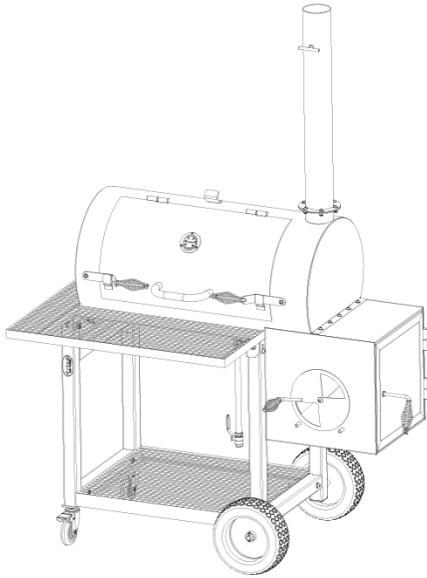
Step 4

1. Fix Ventilation Door (3) to the Oven (2) using Flat Washer $\Phi 13.5*\Phi 24*2.5$ (35) *2, Spring Washer $\Phi 12$ (36) *2 and Nut M12 (43) *2. Tighten all the bolts and nuts, make sure it rotates but there's some resistance.
2. Fix Oven Door Handle (5) to the Oven Door (4) using Fixing Plate (22), Flat Washer $\Phi 13.5*\Phi 24*2.5$ (35), Spring Washer $\Phi 12$ (36) and Nut M12 (43). Make the d-hole on the Fixing Plate (22) coincide with the d-axis on the Oven Door Handle (5). Bend the edge fold of Fixing Plate (22) toward the inside of the box.
3. Install Chimney (11) on the Oven Housing (1) using Pan Head, Hex Bolt M8*20 (32) *6 and Flat Washer $\Phi 9*\Phi 16*1.6$ (28) *12 and Nut M8 *6. Please tighten all the bolts and nuts.
4. Assemble Brass Ball Valve (18), Pipe Hoop (19) and Oil Tube (20), then fix them to the Oven Housing (1), position the handle on the Brass Ball Valve (18) to the left or right or in front



This concludes the _____ Owner's Manual.

If applicable to your product, make sure to tighten all nut-and-bolt combinations before use.



Enjoy!

DISCLAIMER

This equipment must be used with care by capable and competent individuals under supervision, if necessary.

The use of any equipment, including this one, involves the potential risk of injury. You accept and assume full responsibility for any and all injuries, damages (both economic and non-economic), and losses of any type, which may occur, and you fully and forever release and discharge Titan, its insurers, employees, officers, directors, associates, and agents from any and all claims, demands, damages, rights of action, or causes of action, present or future, whether the same be known or unknown, anticipated, or unanticipated, resulting from or arising out of the use of said equipment.

TITAN MAKES NO WARRANTY WHATSOEVER WITH RESPECT TO THE EQUIPMENT, INCLUDING ANY WARRANTY OF MERCHANTABILITY OR WARRANTY OF FITNESS FOR A PARTICULAR PURPOSE, WHETHER EXPRESS OR IMPLIED BY LAW, COURSE OF DEALING, COURSE OF PERFORMANCE, USAGE OF TRADE OR OTHERWISE. BUYER ASSUMES ALL LIABILITY IN USE OF THE EQUIPMENT.

NEED HELP?

CONTACT US FIRST.

1 (800) 605-8241

info@titandistributorsinc.com / www.titangreatoutdoors.com

Business Hours: Monday–Friday • 8:00 a.m.–5:00 p.m. (CT)

