

TITAN

GREAT OUTDOORS

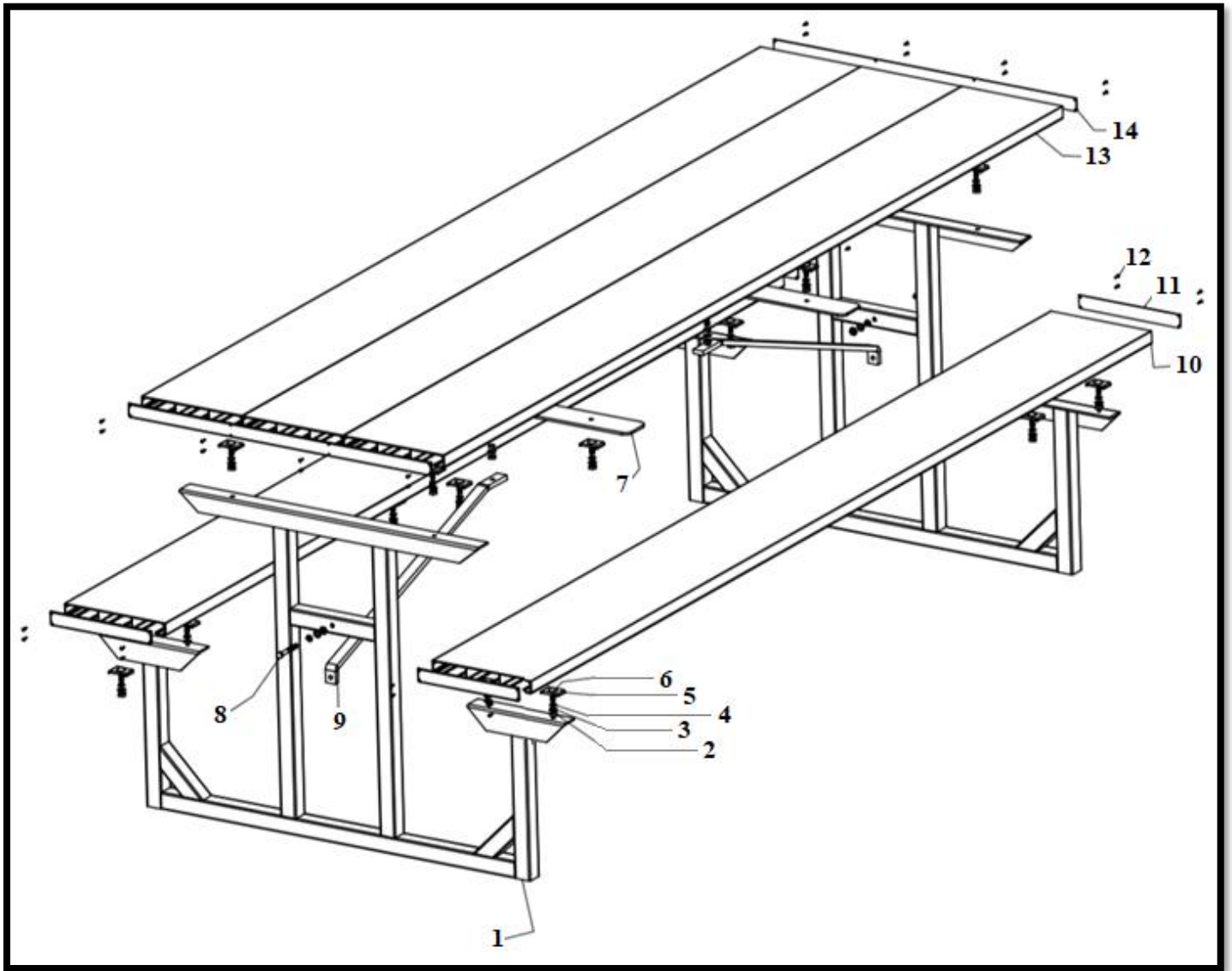











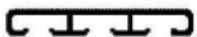
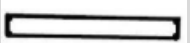



OWNER'S MANUAL

MPN(s): 5ALPCTBL1-5ALPCTBL2, 8ALPCTBL1-8ALPCTBL2

SKU(s): 890025, 890026

PARTS DIAGRAM - 5ALPCTBL1 - 5ALPCTBL2

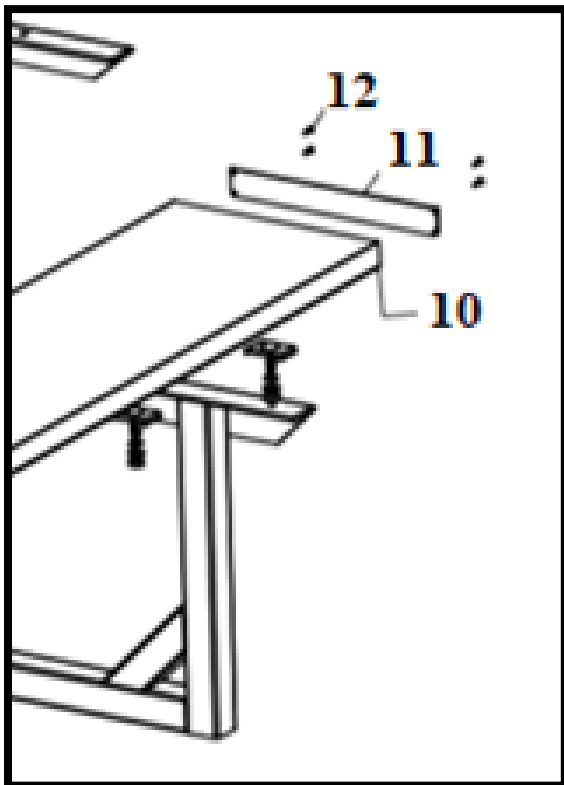
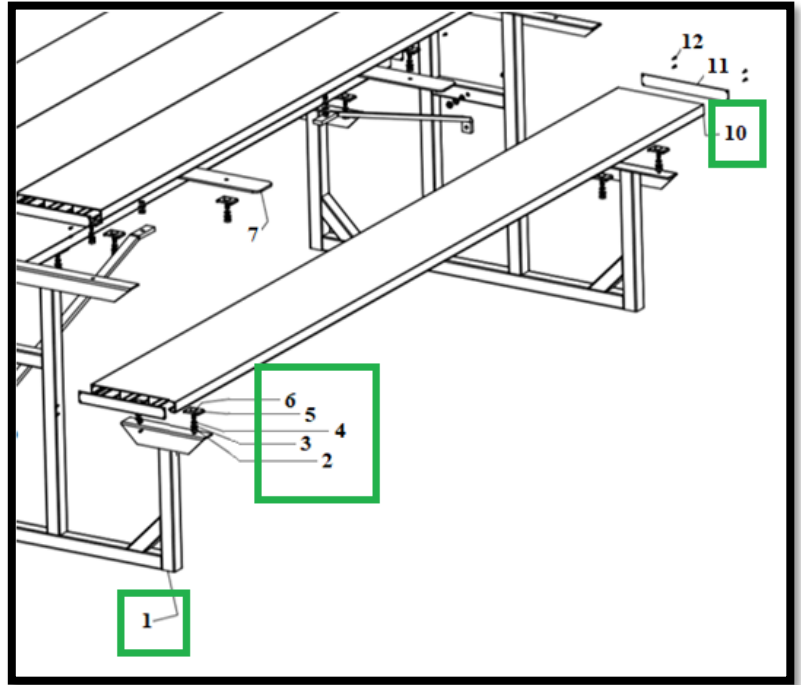


KEY	BOX	DESCRIPTION	QTY	PICTURE
(1)	2	FRAME	x2	
(2)	2	HEX NUT M8	x20	
(3)	2	FLAT WASHER M8	x20	
(4)	2	SPRING WASHER M8	x20	
(5)	2	BOLT CLIP	x18	
(6)	2	CARRIAGE BOLT M8x30	x18	
(7)	2	BOTTOM STRUT	x2	
(8)	2	HEX BOLT M8x65	x2	
(9)	2	STRUT CONNECTOR	x2	
(10)	1	SEAT PLANK	x2	
(11)	2	SEAT END CAP	x4	
(12)	2	TAPPING SCREW M3x15	x32	
(13)	1	TABLE PLANK	x3	
(14)	2	TABLE END CAP	x2	



ASSEMBLY INSTRUCTIONS - 5ALPCTBL1-5ALPCTBL2

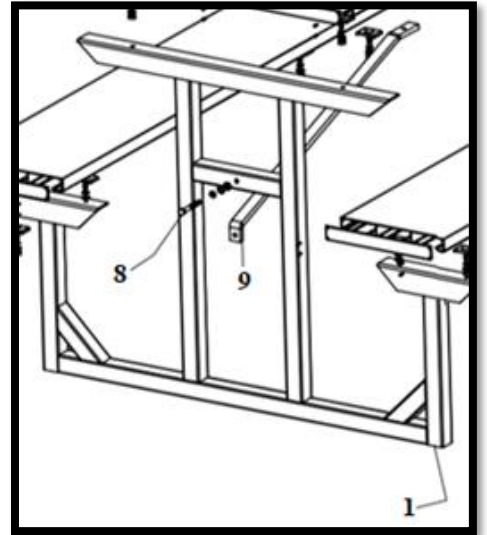
1. Use the following hardware to connect the **FRAMES (1)** to the **SEAT PLANKS (10)**: **CARRIAGE BOLTS M8x30 (6)**, **BOLT CLIPS (5)**, **SPRING WASHERS M8 (4)**, **FLAT WASHERS M8 (3)**, and **HEX NUTS M8 (2)**.



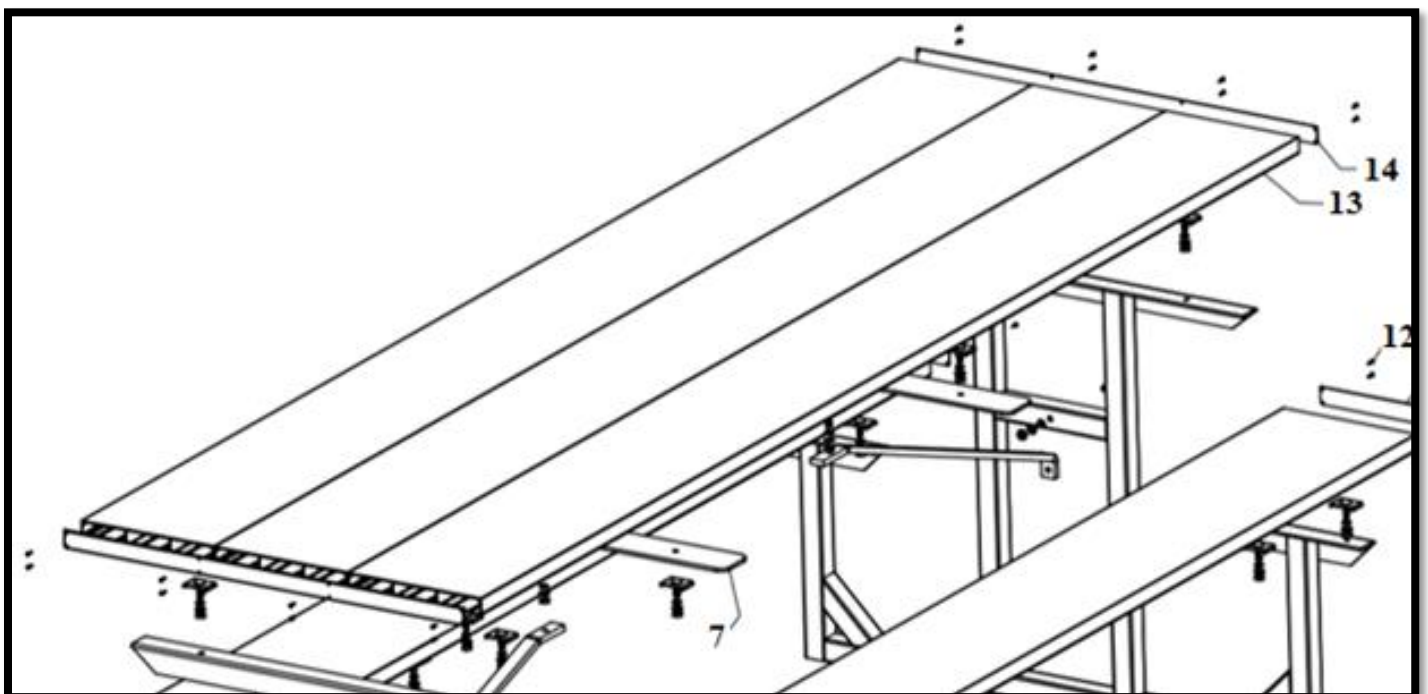
2. Attach the **SEAT END CAPS (11)** to the ends of the **SEAT PLANKS (10)** with **TAPPING SCREWS M3x15 (12)**.



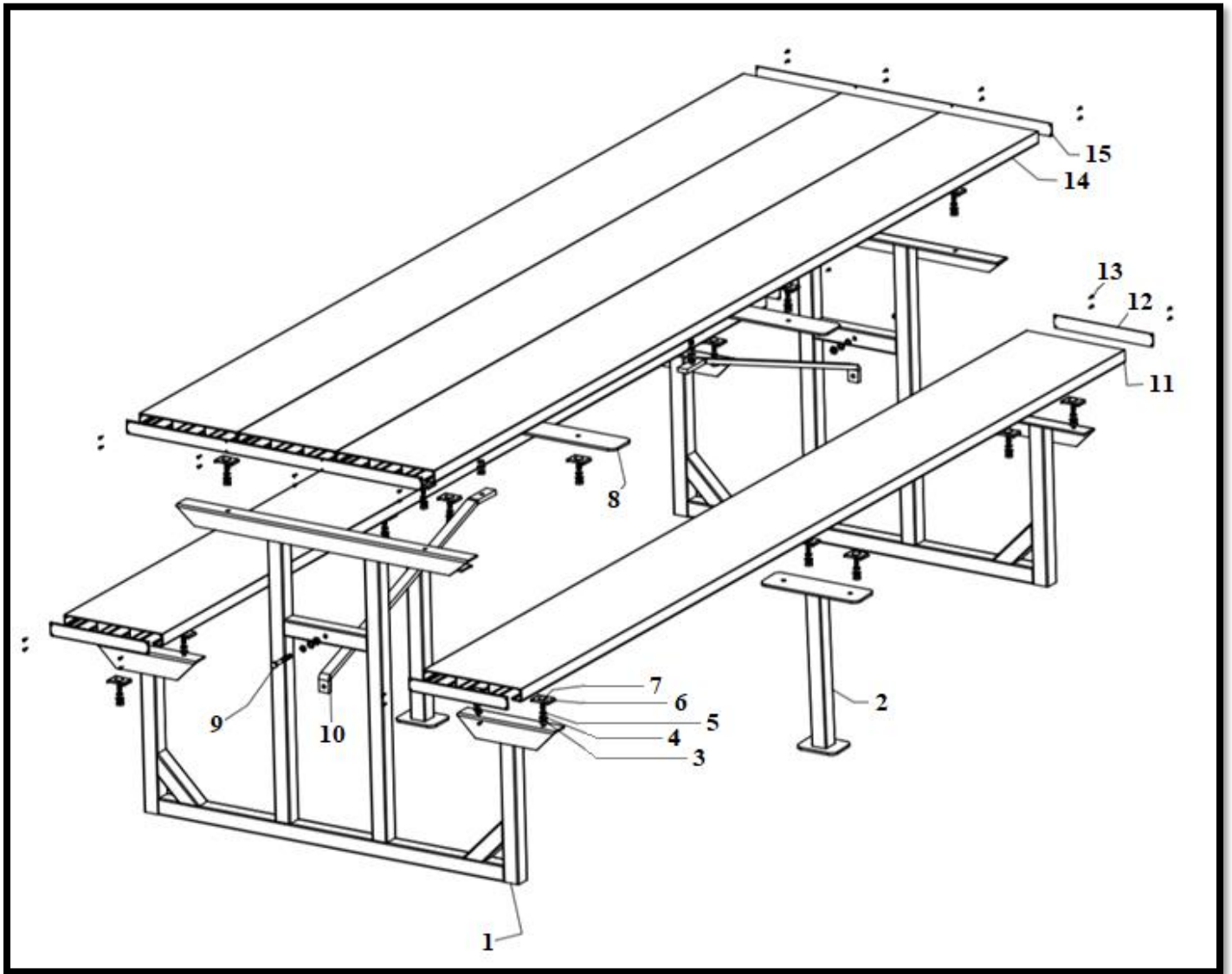
3. Use the following hardware to connect the **STRUT CONNECTORS (9)** to the **FRAMES (1)**: **HEX BOLTS M8x65 (8)**, **SPRING WASHERS M8 (4)**, **FLAT WASHERS M8 (3)**, and **HEX NUTS M8 (2)**.








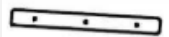


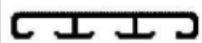

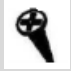




4. Use the same hardware listed in Step 1 to attach the **TABLE PLANKS (13)** to the **FRAMES (1)**, **STRUT CONNECTOR (9)**, and the **BOTTOM STRUTS (7)**.
5. Attach the **TABLE END CAPS (14)** to the ends of the **TABLE PLANKS (13)** with **TAPPING SCREWS M3x15 (12)**.



PARTS DIAGRAM - 8ALPCTBL1 - 8ALPCTBL2

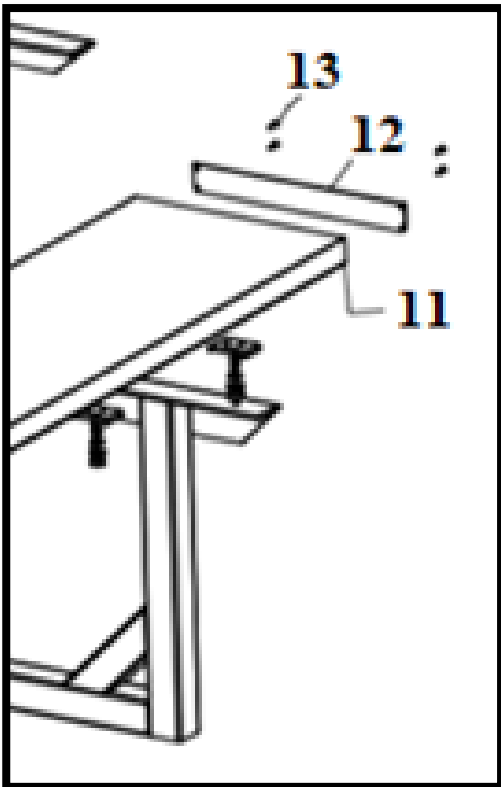
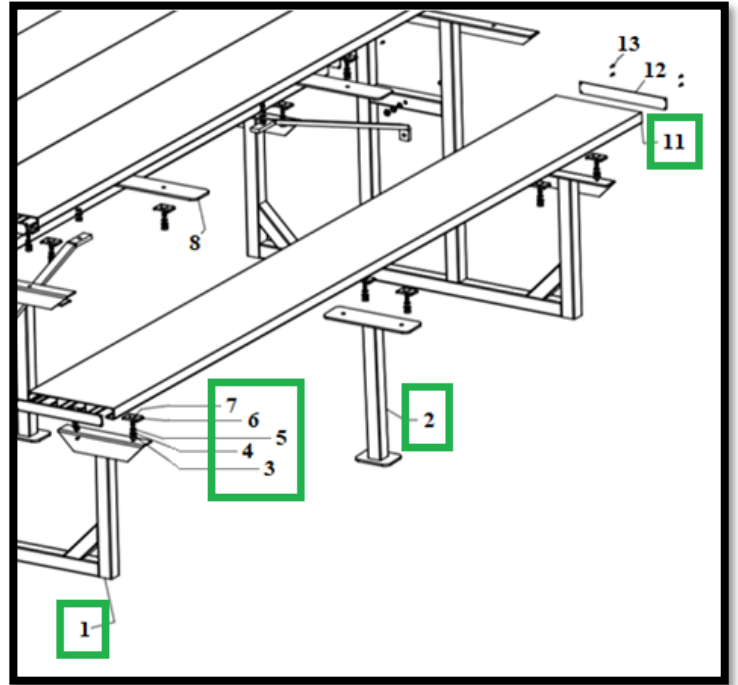


KEY	BOX	DESCRIPTION	QTY	PICTURE
(1)	2	FRAME	x2	
(2)	2	SEAT SUPPORT LEG	x2	
(3)	2	HEX NUT M8	x24	
(4)	2	FLAT WASHER M8	x24	
(5)	2	SPRING WASHER M8	x24	
(6)	2	BOLT CLIP	x22	
(7)	2	CARRIAGE BOLT M8x30	x22	
(8)	2	BOTTOM STRUT	x2	
(9)	2	HEX BOLT M8x65	x2	
(10)	2	STRUT CONNECTOR	x2	
(11)	1	SEAT PLANK	x2	
(12)	2	SEAT END CAP	x4	
(13)	2	TAPPING SCREW M3x15	x32	
(14)	1	TABLE PLANK	x3	
(15)	2	TABLE END CAP	x2	



ASSEMBLY INSTRUCTIONS - 8ALPCTBL1-8ALPCTBL2

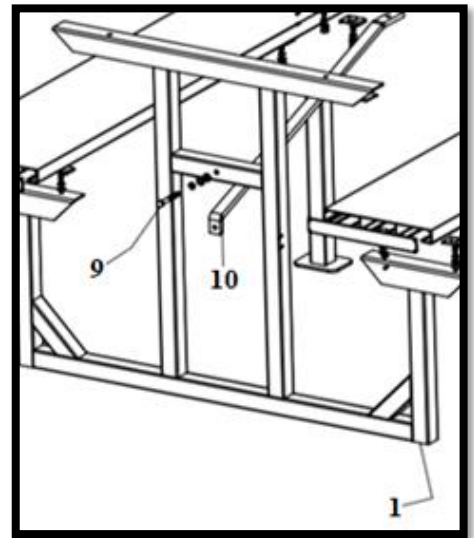
1. Use the following hardware to connect the **FRAMES (1)** and **SEAT SUPPORT LEGS (2)** to the **SEAT PLANKS (11)**: **CARRIAGE BOLTS M8x30 (7)**, **BOLT CLIPS (6)**, **SPRING WASHERS M8 (5)**, **FLAT WASHERS M8 (4)**, and **HEX NUTS M8 (3)**.



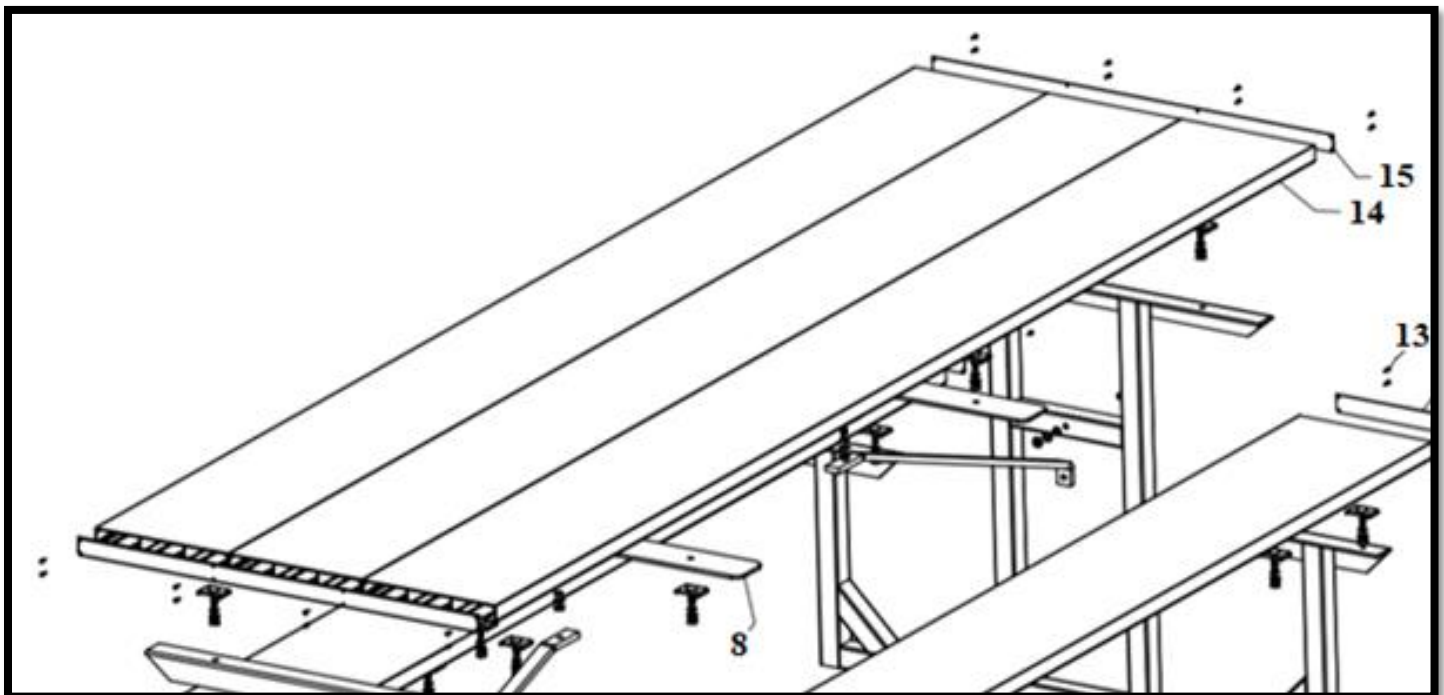
2. Attach the **SEAT END CAPS (12)** to the ends of the **SEAT PLANKS (11)** with **TAPPING SCREWS M3x15 (13)**.



3. Use the following hardware to connect the **STRUT CONNECTORS (10)** to the **FRAMES (1)**: **HEX BOLTS M8x65 (9)**, **SPRING WASHERS M8 (5)**, **FLAT WASHERS M8 (4)**, and **HEX NUTS M8 (3)**.



4. Use the same hardware listed in Step 1 to attach the **TABLE PLANKS (14)** to the **FRAMES (1)**, **STRUT CONNECTOR (10)**, and the **BOTTOM STRUTS (8)**.
5. Attach the **TABLE END CAPS (15)** to the ends of the **TABLE PLANKS (14)** with **TAPPING SCREWS M3x15 (13)**.





*This concludes the ALPCTBL Owner's
Manual.*

*Make sure to tighten all nut-and-bolt
combinations before use.*

Enjoy!

DISCLAIMER

This equipment must be used with care by capable and competent individuals under supervision, if necessary.

The use of any equipment, including this one, involves the potential risk of injury. You accept and assume full responsibility for any and all injuries, damages (both economic and non-economic), and losses of any type, which may occur, and you fully and forever release and discharge Titan, its insurers, employees, officers, directors, associates, and agents from any and all claims, demands, damages, rights of action, or causes of action, present or future, whether the same be known or unknown, anticipated, or unanticipated, resulting from or arising out of the use of said equipment.

TITAN MAKES NO WARRANTY WHATSOEVER WITH RESPECT TO THE EQUIPMENT, INCLUDING ANY WARRANTY OF MERCHANTABILITY OR WARRANTY OF FITNESS FOR A PARTICULAR PURPOSE, WHETHER EXPRESS OR IMPLIED BY LAW, COURSE OF DEALING, COURSE OF PERFORMANCE, USAGE OF TRADE OR OTHERWISE. BUYER ASSUMES ALL LIABILITY IN USE OF THE EQUIPMENT.

NEED HELP?

CONTACT US FIRST.

1 (800) 605-8241

info@titandistributorsinc.com / www.titangreatoutdoors.com

Business Hours: Monday–Friday • 8:00 a.m.–5:00 p.m. (CT)

