



# TITAN

## ATTACHMENTS

Black: **BLK\_RZRROOF**

Red: **RED\_RZRROOF**

Orange: **ORG\_RZRROOF**

Blue: **BLU\_RZRROOF**

Owner's Manual



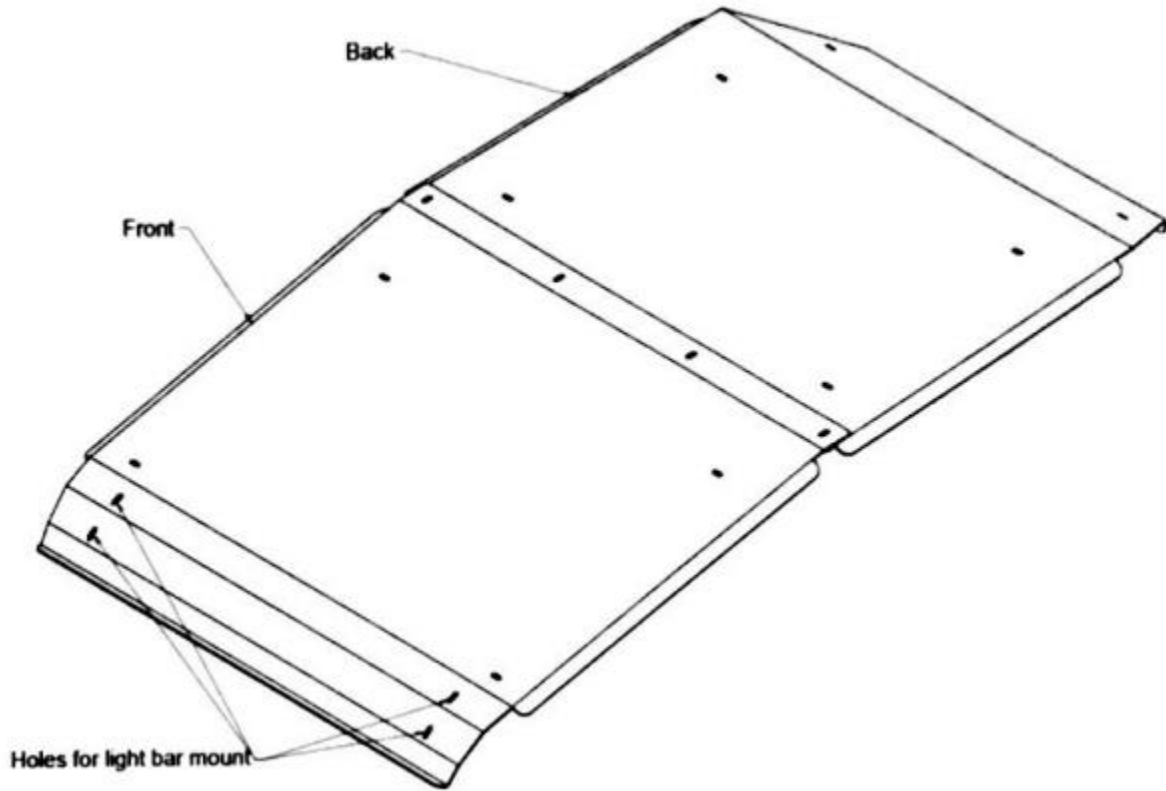


Figure 1

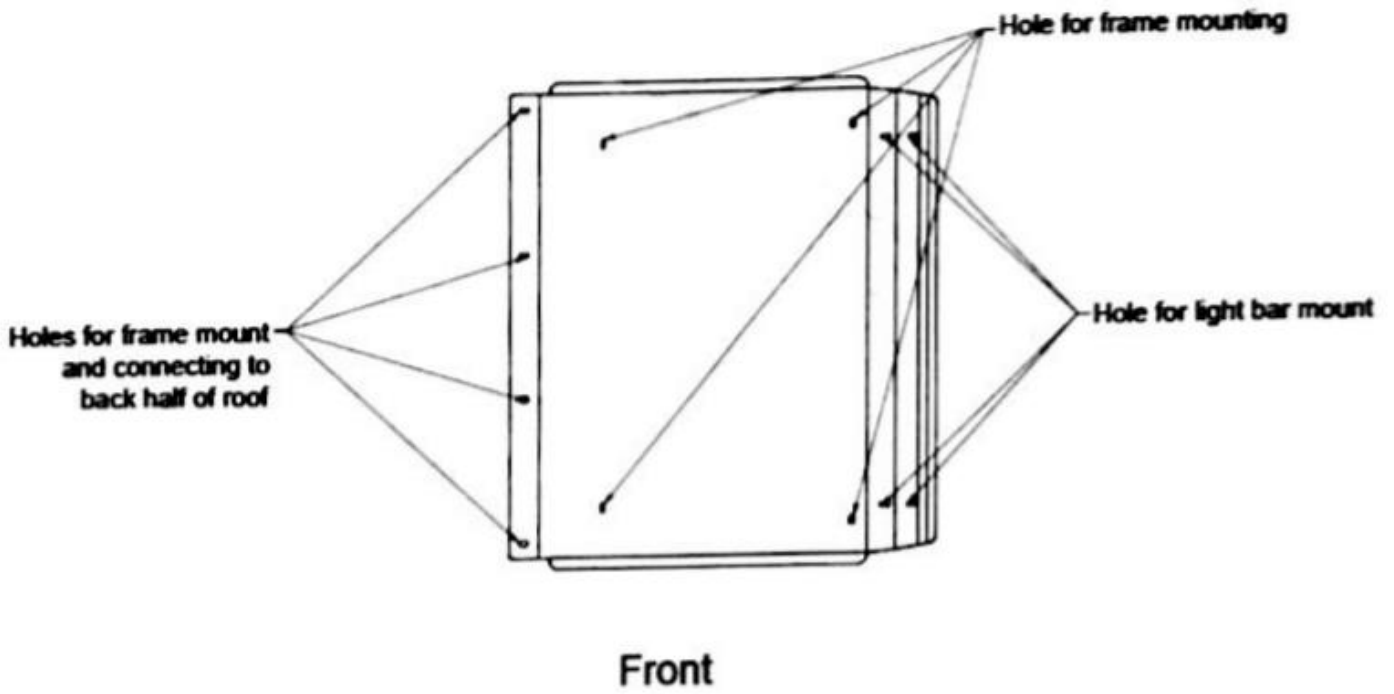


Figure 2

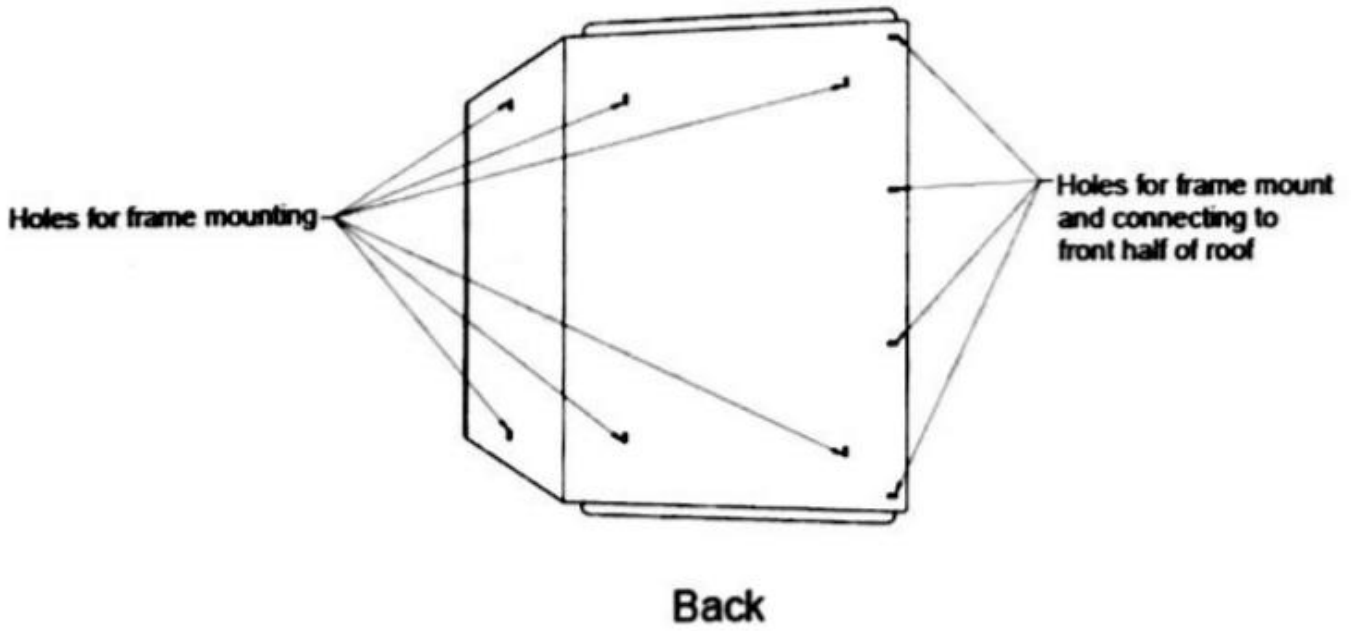


Figure 3

# ASSEMBLY INSTRUCTIONS

---

*NOTE: Loosely attach all hardware during assembly until both roofs are attached to the frame.*



1. Lay out the hardware.



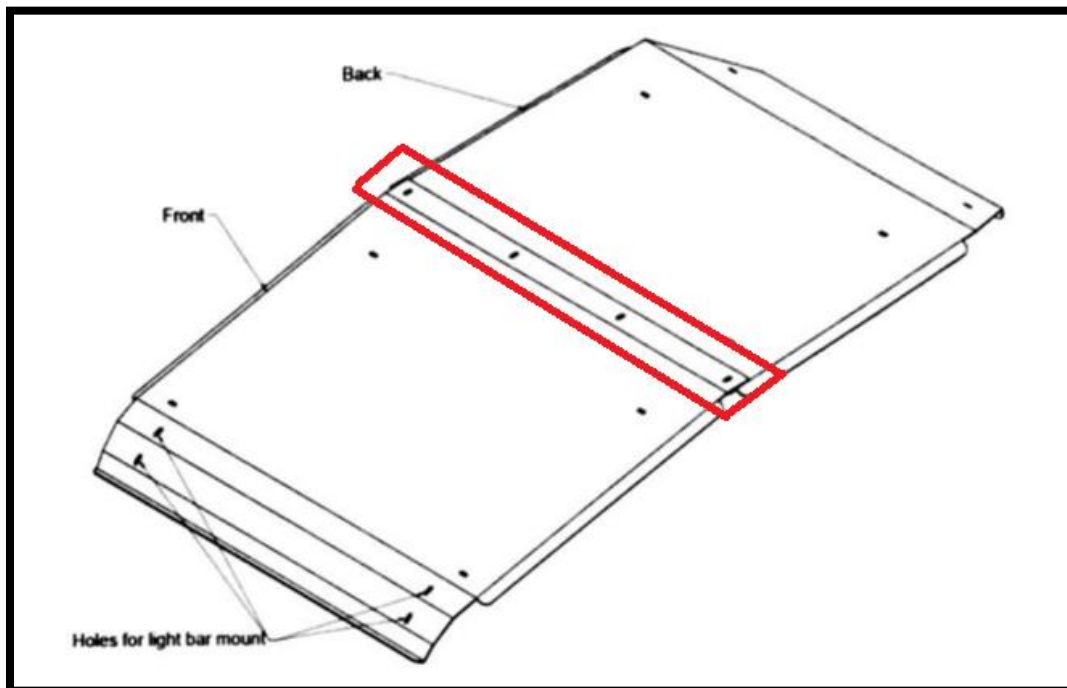
2. Bend the metal brackets and equip the rubber sleeves as shown above.

3. Attach back half of the roof to the frame and align it with the holes of the flexible metal brackets.



4. Use hardware in the following sequence to secure the brackets to the roof: bolt, metal washer, black washer, roof, bracket, metal washer, and lock nut. ***If you experience any difficulty inserting the bolt through the bracket, use an Allen wrench to thread the bolt through the bracket.***

Do not install the four bolts in the middle section of the roof, which is pictured below.



5. Attach the front panel to the back panel by aligning the four center holes provided and securing with provided hardware.



6. Secure the front panel to the back panel as seen in steps 3-4. You may experience difficulty if you have a radio installed.



7. At this point, you may consider using existing hardware for the front four holes to install the light bar mounts and secure the roof to the frame. If you have a gap, it is normal.

NEED HELP?

CONTACT US FIRST.

**1 (800) 605-8241**

[info@titandistributorsinc.com](mailto:info@titandistributorsinc.com) / [www.palletforks.com](http://www.palletforks.com)

**Business Hours: Monday–Friday • 8:00 a.m.–5:00 p.m. (CT)**