

# TITAN

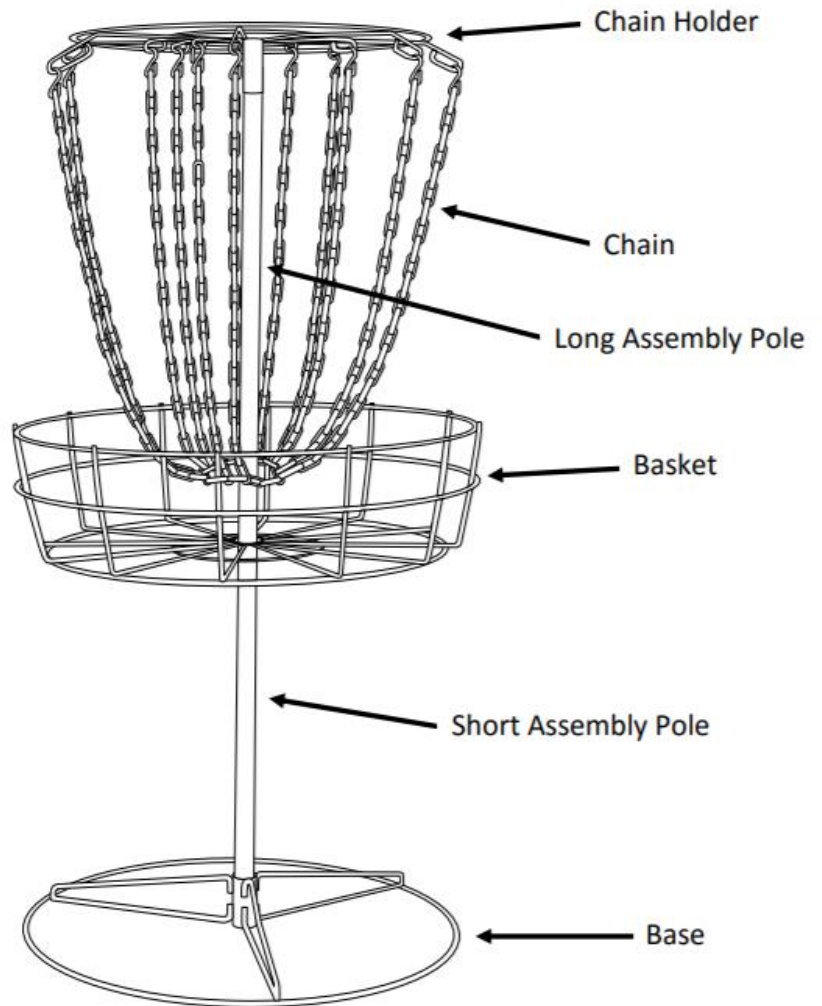
## GREAT OUTDOORS

**MPN: DGM14v2**

Owner's Manual



BASKET COMPONENT KIT	
QTY	Description
1	Chain Assembly
1	Basket
1	Base
1	Short Assembly Pole
1	Long Assembly Pole

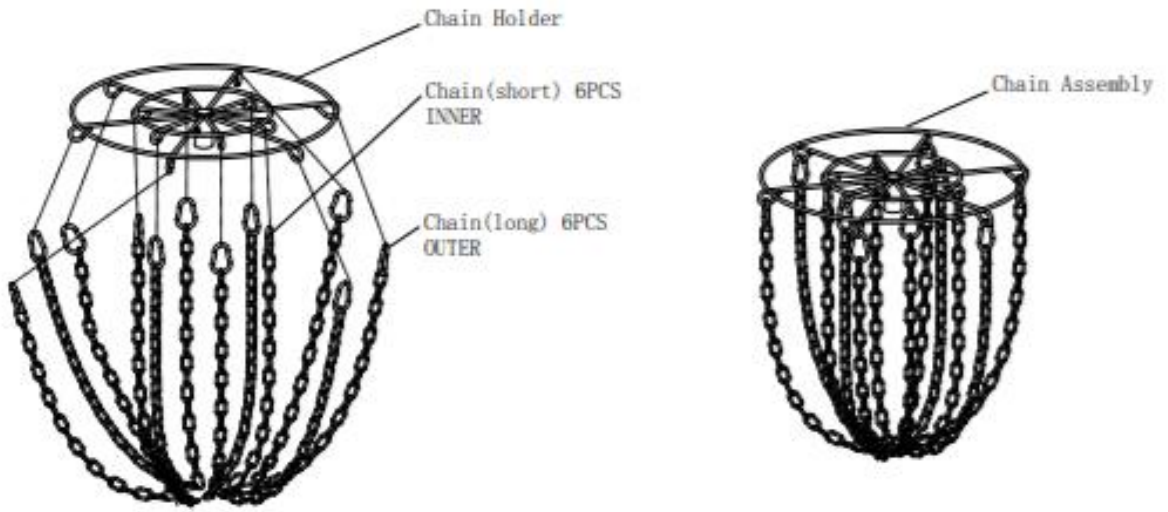


### **ASSEMBLY INSTRUCTIONS**

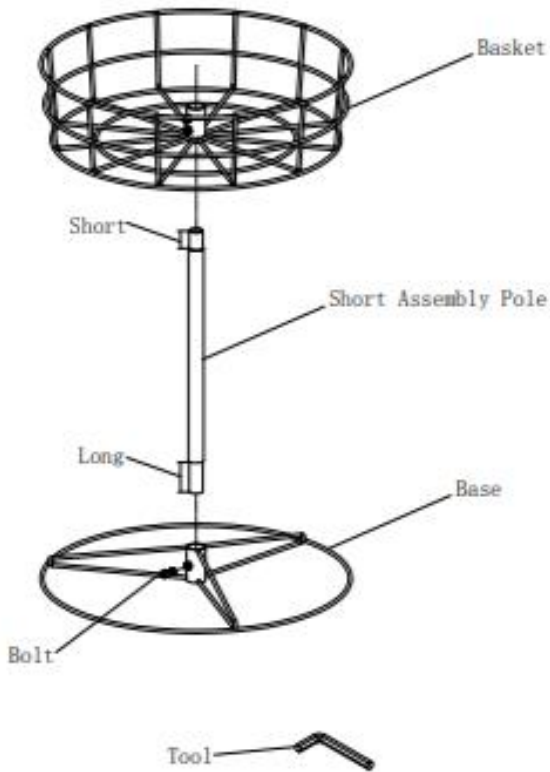
1. Start with the short assembly pole and the base. Take the short pole and put the end with the push button closest to the edge into the base by pushing the button in so that the pole slides inside of the base. Make sure the push button on the pole lines up with the hole in the base and push it through until it snaps together.
2. Next take the long assembly pole and put the end with the push button furthest from the edge over the short assembly pole. Then slide the basket from the top of the short assembly pole to the bottom until the push button on the pole lines up with the hole in the basket.
3. Lift the chain holder with chain and hold it above the top of the pole assembly. Lower the chain holder so the ring of chain slides down and around the pole. Continue to lower the chain holder so that the chain slides down the pole. Secure the chain holder at the top of the pole by pushing the button in on the top of the pole. Make sure the push button lines up with the hole and push it through until it snaps in to place.

# ASSEMBLY STEP

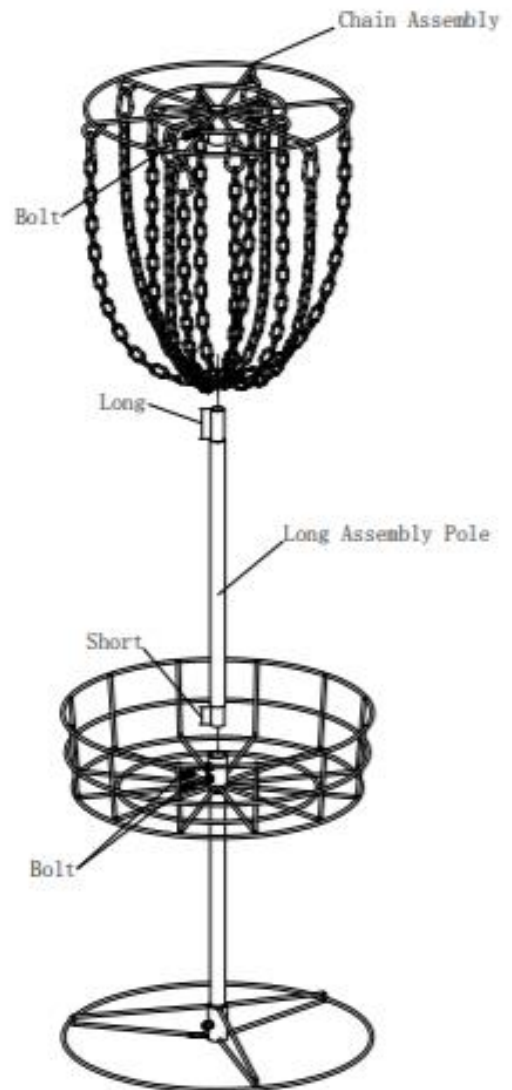
## STEP 1.



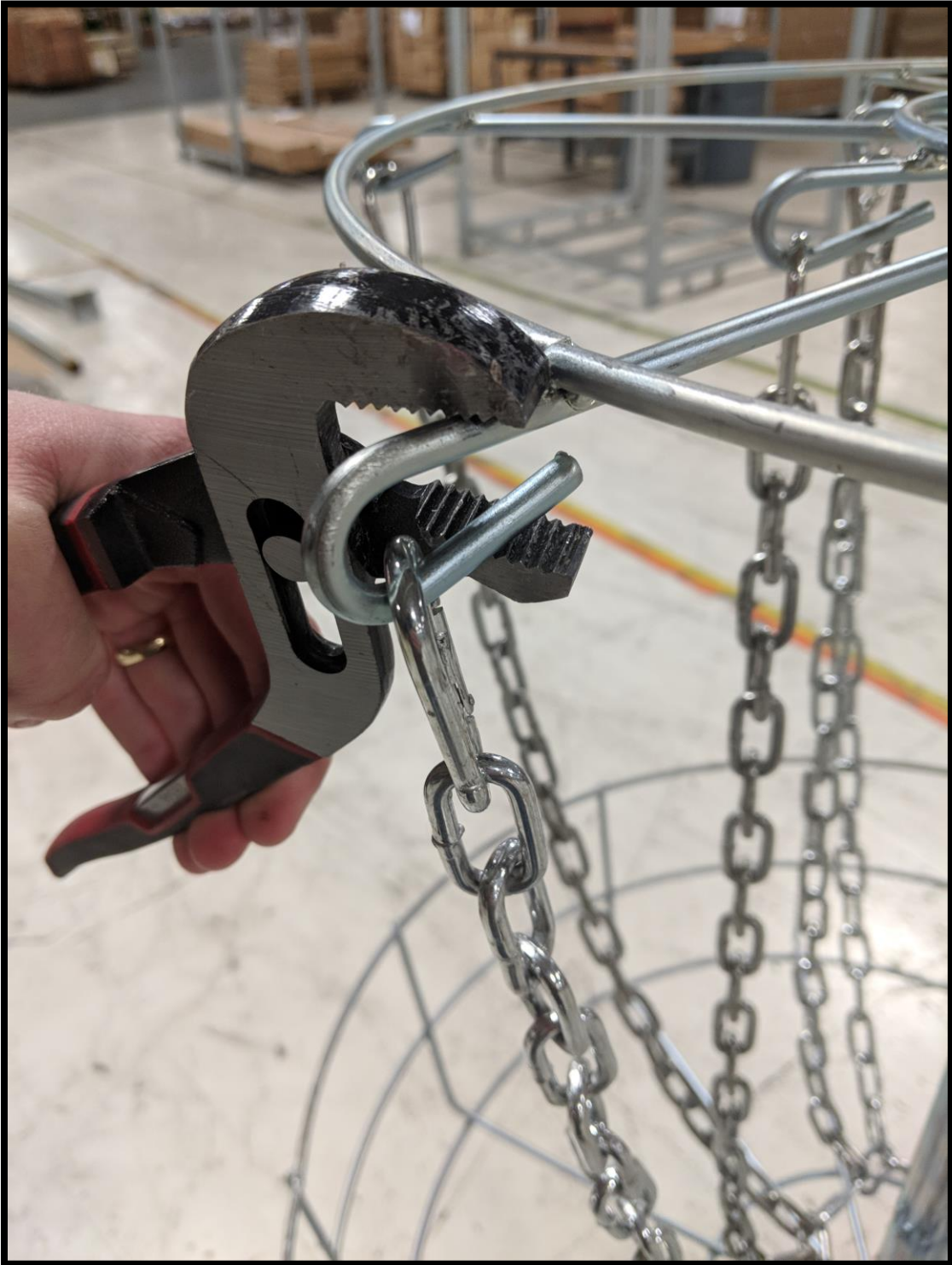
## STEP 2.



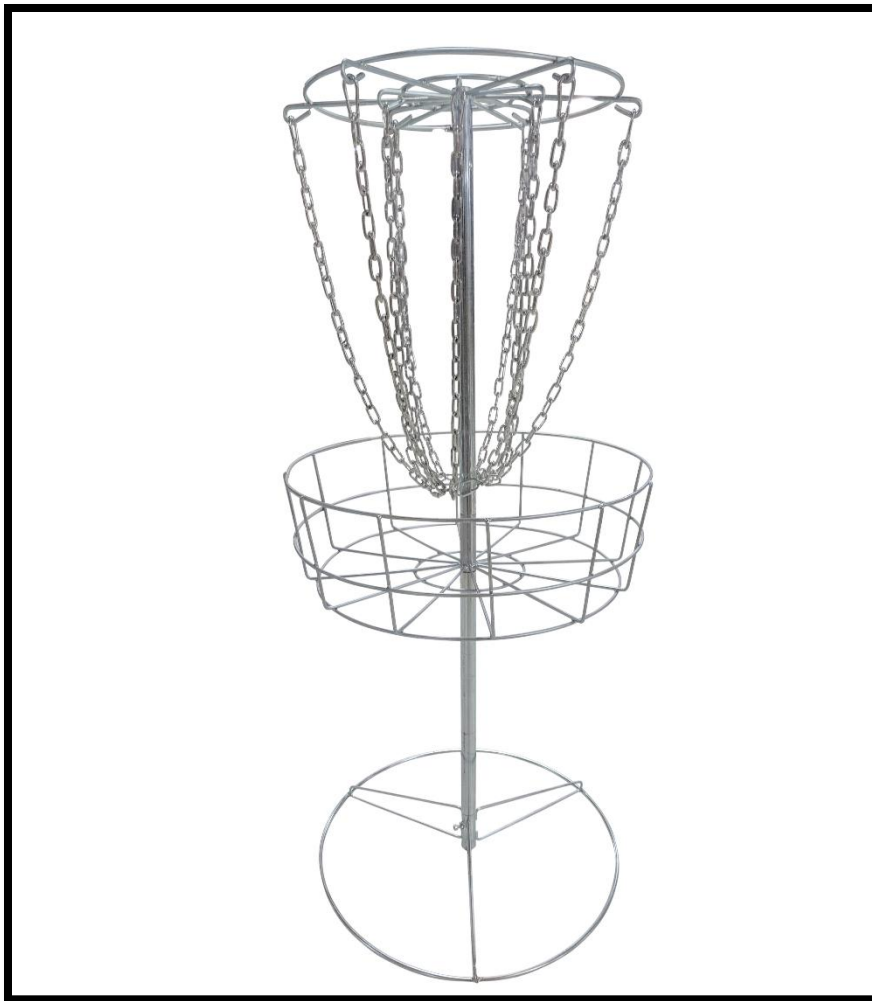
## STEP 3.



**OPTIONAL:**



*For a secure fit, you may need to crimp the eye hooks of the basket chains.*



*This concludes the  
assembly of your  
product.*

*Enjoy!*

NEED HELP?

CONTACT US FIRST.

**1 (800) 605-8241**

**[info@titandistributorsinc.com](mailto:info@titandistributorsinc.com) / [www.titangreatoutdoors.com](http://www.titangreatoutdoors.com)**

**Business Hours: Monday–Friday • 8:00 a.m.–5:00 p.m. (CT)**