

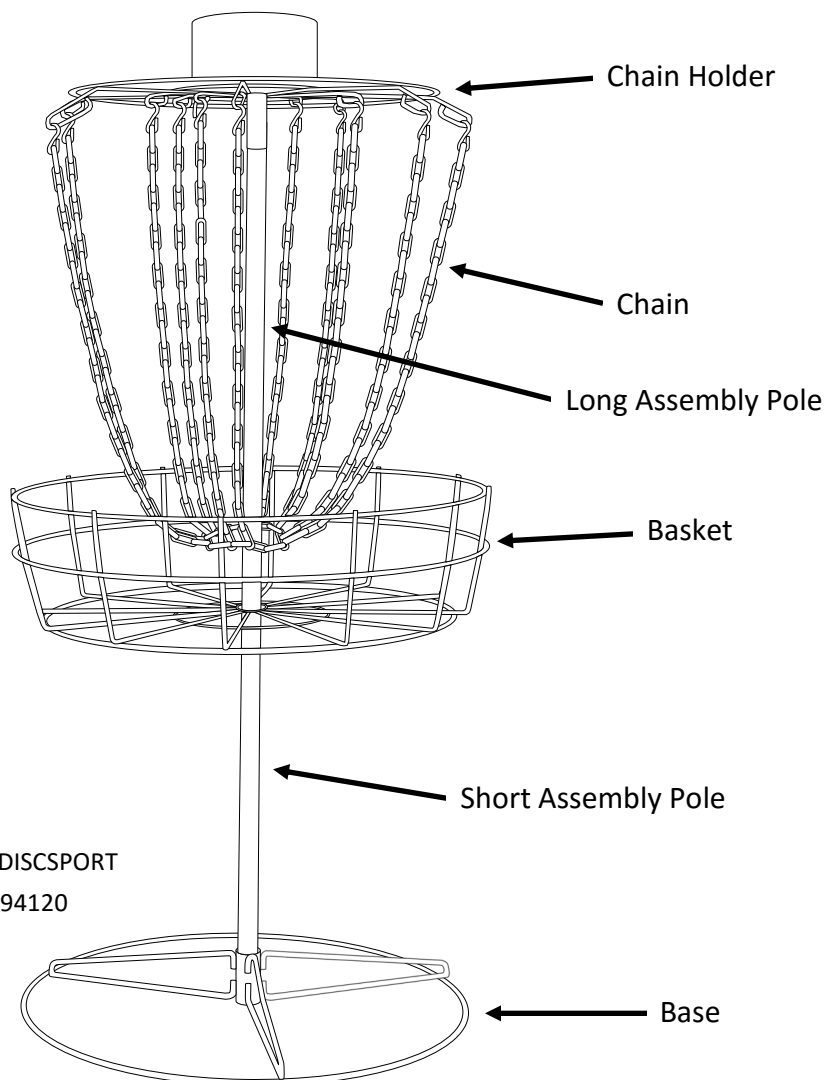


TITAN OUTDOORS

SPORT DISC GOLF CATCHER

BASKET COMPONENT KIT	
QTY	Description
1	Chain Assembly
1	Basket
1	Base
1	Short Assembly Pole
1	Long Assembly Pole
5	Hex Bolts

MPN: DISCSPORT
SKU: 894120



ASSEMBLY INSTRUCTIONS

1. Start with the short assembly pole and the base. Put one end of the short assembly pole into the base and tighten the two hex bolts.
2. Set the basket on top of the short assembly pole and tighten the hex bolt.
3. Take the long assembly pole and place it through the top of the basket and tighten the hex bolt to hold it in place.
4. Lift the chain holder with chain and hold it above the top of the pole assembly. Lower the chain holder so the ring of chain slides down and around the pole. Continue to lower the chain holder so that the chain slides down the pole. Secure the chain holder at the top of the pole by tightening the hex bolt.