

TITAN

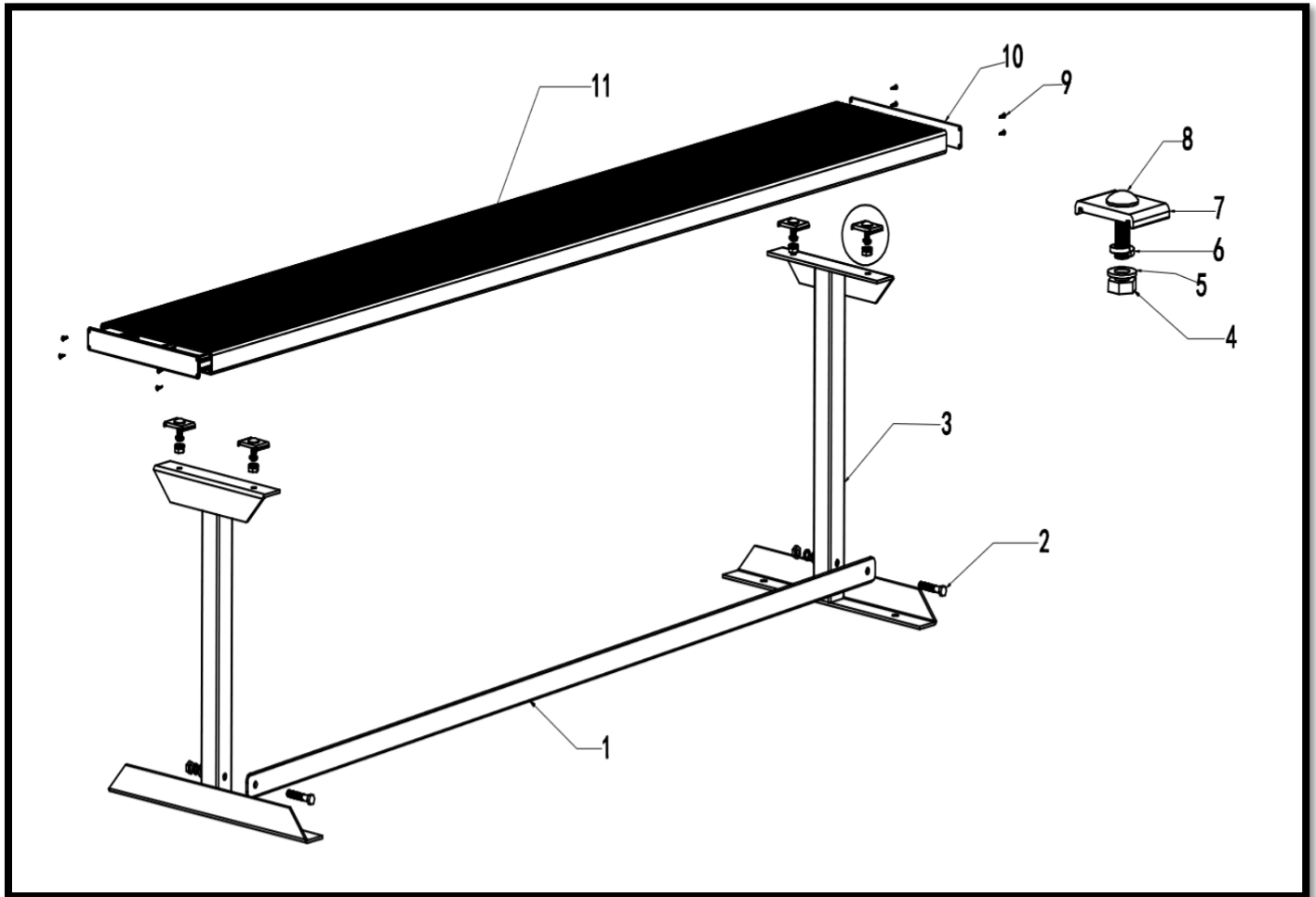
GREAT OUTDOORS



OWNER'S MANUAL

MPN(s): 6ALBHNB1-6ALBHNB2, 9ALBHNB1-9ALBHNB2, 6ALBHWB1-6ALBHWB2,
9ALBHWB1-9ALBHWB2

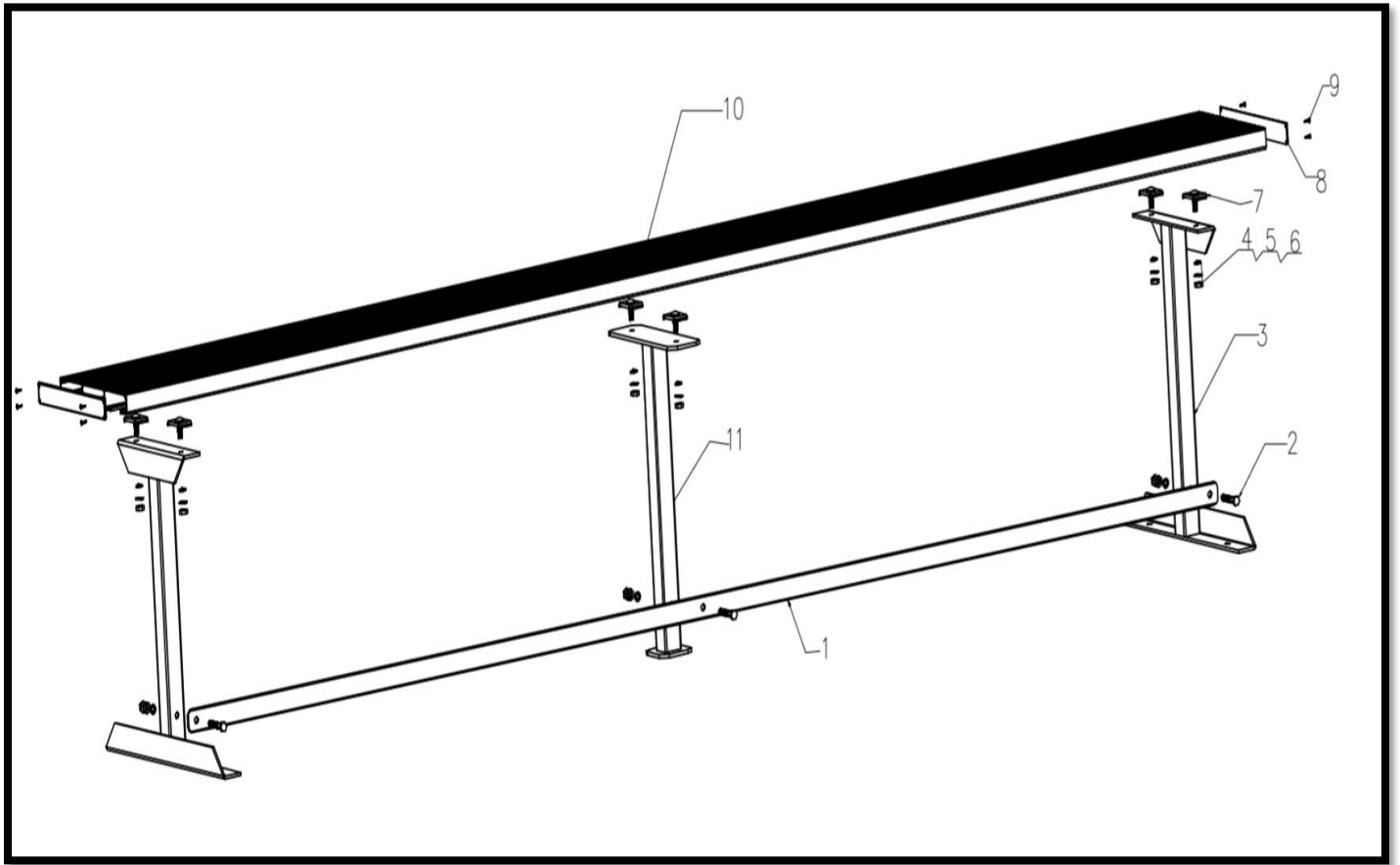
PARTS DIAGRAM - 6ALBHN B1 - 6ALBHN B2



KEY	DESCRIPTION	QTY
(1)	TIEBAR	x1
(2)	HEX BOLT	x2
(3)	SUPPORT BAR KIT	x2
(4)	NUT	x6
(5)	FLAT WASHER	x6
(6)	SPRING WASHER	x6
(7)	BOLT CLIP	x4
(8)	CARRIAGE BOLT	x4
(9)	TAPPING SCREW	x8
(10)	SEAT END CAP	x2
(11)	SEAT PLANK	x1



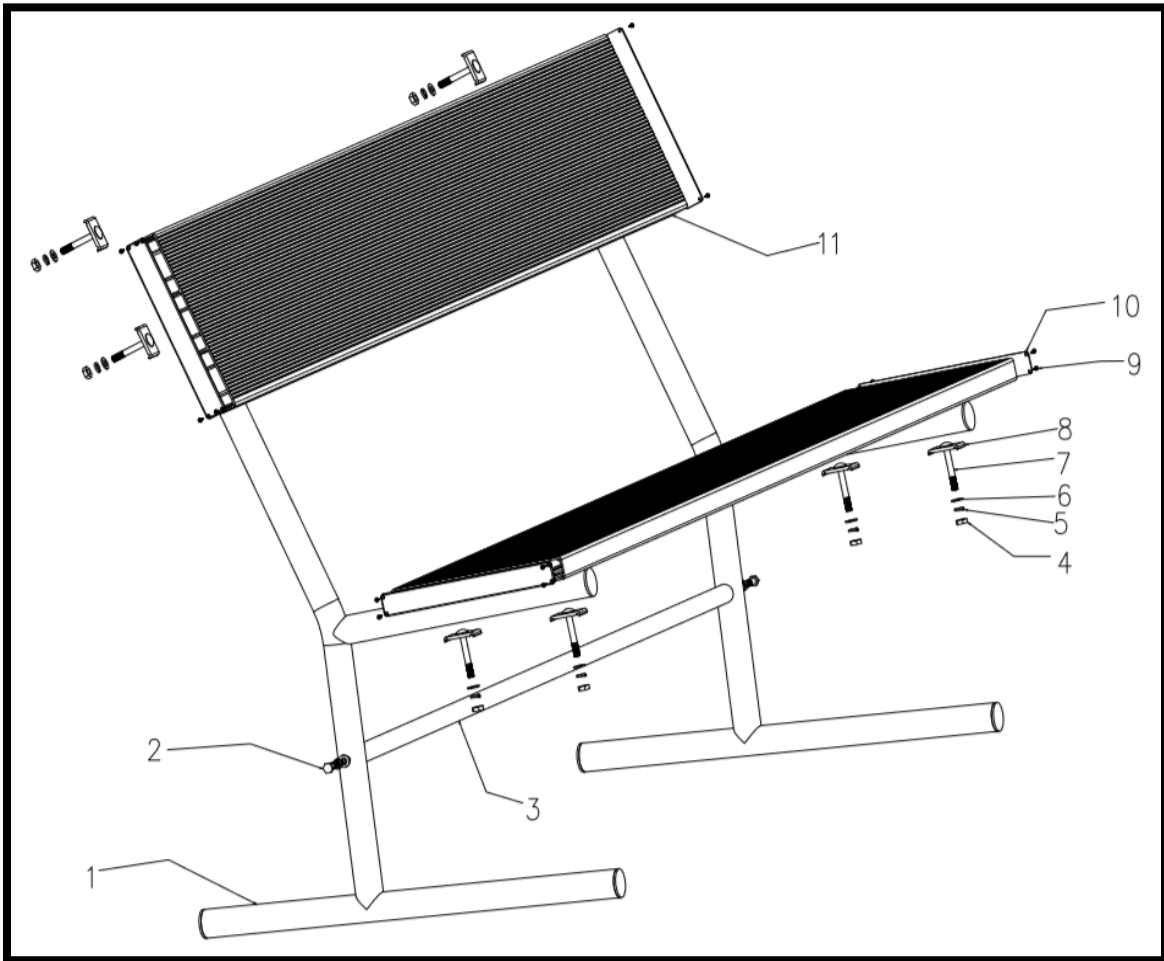
PARTS DIAGRAM - 9ALBHNB1-9ALBHNB2



KEY	DESCRIPTION	QTY
(1)	TIEBAR	x1
(2)	HEX BOLT	x3
(3)	SUPPORT BAR KIT	x2
(4)	SPRING WASHER	x9
(5)	FLAT WASHER	x9
(6)	NUT	x9
(7)	BOLT CLIP	x6
(8)	SEAT END CAP	x2
(9)	TAPPING SCREW	x8
(10)	SEAT PLANK	x1
(11)	MIDDLE SUPPORT BAR KIT	x1



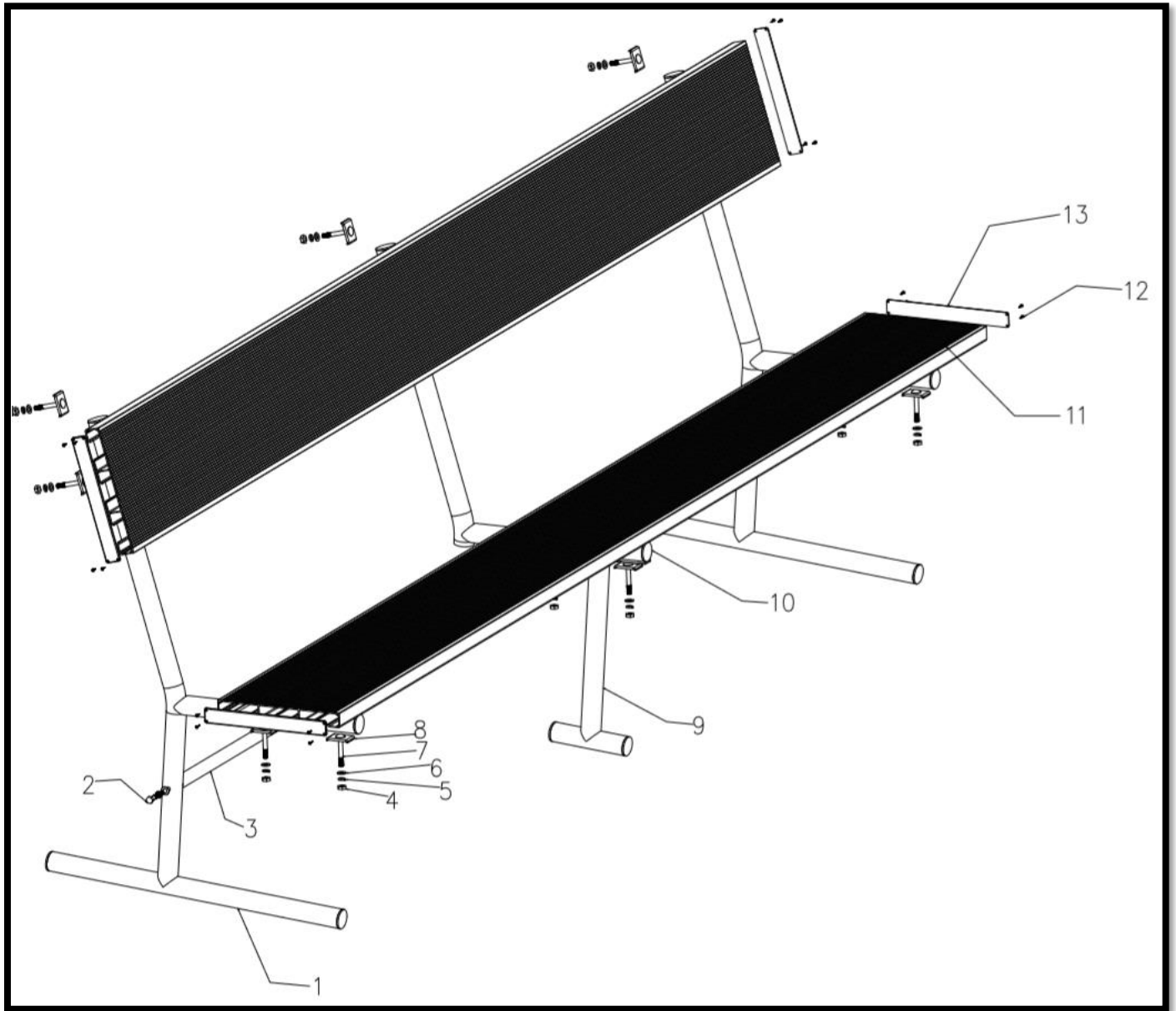
PARTS DIAGRAM - 6ALBHWB1-6ALBHWB2



KEY	DESCRIPTION	QTY
(1)	FRAME KIT	x2
(2)	HEX BOLT	x2
(3)	HORIZONTAL CONNECTING PIPE	x1
(4)	NUT	x8
(5)	SPRING WASHER	x10
(6)	FLAT WASHER	x10
(7)	CARRIAGE BOLT	x8
(8)	BOLT CLIP	x8
(9)	TAPPING SCREW	x16
(10)	SEAT END CAP	x4
(11)	BACK	x2



PARTS DIAGRAM - 9ALBHWB1-9ALBHWB2



KEY	DESCRIPTION	QTY	KEY	DESCRIPTION	QTY
(1)	FRAME KIT	x2	(8)	BOLT CLIP	x12
(2)	HEX BOLT	x2	(9)	VERTICAL SUPPORT BAR KIT	x1
(3)	HORIZONTAL CONNECTING PIPE	x1	(10)	HORIZONTAL SUPPORT BAR KIT	x1
(4)	NUT	x12	(11)	PLANK	x2
(5)	SPRING WASHER	x14	(12)	TAPPING SCREW	x16
(6)	FLAT WASHER	x14	(13)	END CAP	x4
(7)	CARRIAGE BOLT	x12			





This concludes the ALBH Owner's Manual.

If applicable to your product, make sure to tighten all nut-and-bolt combinations before use.

Enjoy!

DISCLAIMER

This equipment must be used with care by capable and competent individuals under supervision, if necessary.

The use of any equipment, including this one, involves the potential risk of injury. You accept and assume full responsibility for any and all injuries, damages (both economic and non-economic), and losses of any type, which may occur, and you fully and forever release and discharge Titan, its insurers, employees, officers, directors, associates, and agents from any and all claims, demands, damages, rights of action, or causes of action, present or future, whether the same be known or unknown, anticipated, or unanticipated, resulting from or arising out of the use of said equipment.

TITAN MAKES NO WARRANTY WHATSOEVER WITH RESPECT TO THE EQUIPMENT, INCLUDING ANY WARRANTY OF MERCHANTABILITY OR WARRANTY OF FITNESS FOR A PARTICULAR PURPOSE, WHETHER EXPRESS OR IMPLIED BY LAW, COURSE OF DEALING, COURSE OF PERFORMANCE, USAGE OF TRADE OR OTHERWISE. BUYER ASSUMES ALL LIABILITY IN USE OF THE EQUIPMENT.

NEED HELP?

CONTACT US FIRST.

1 (800) 605-8241

info@titandistributorsinc.com / www.titangreatoutdoors.com

Business Hours: Monday–Friday • 8:00 a.m.–5:00 p.m. (CT)

