

TITAN

GREAT OUTDOORS



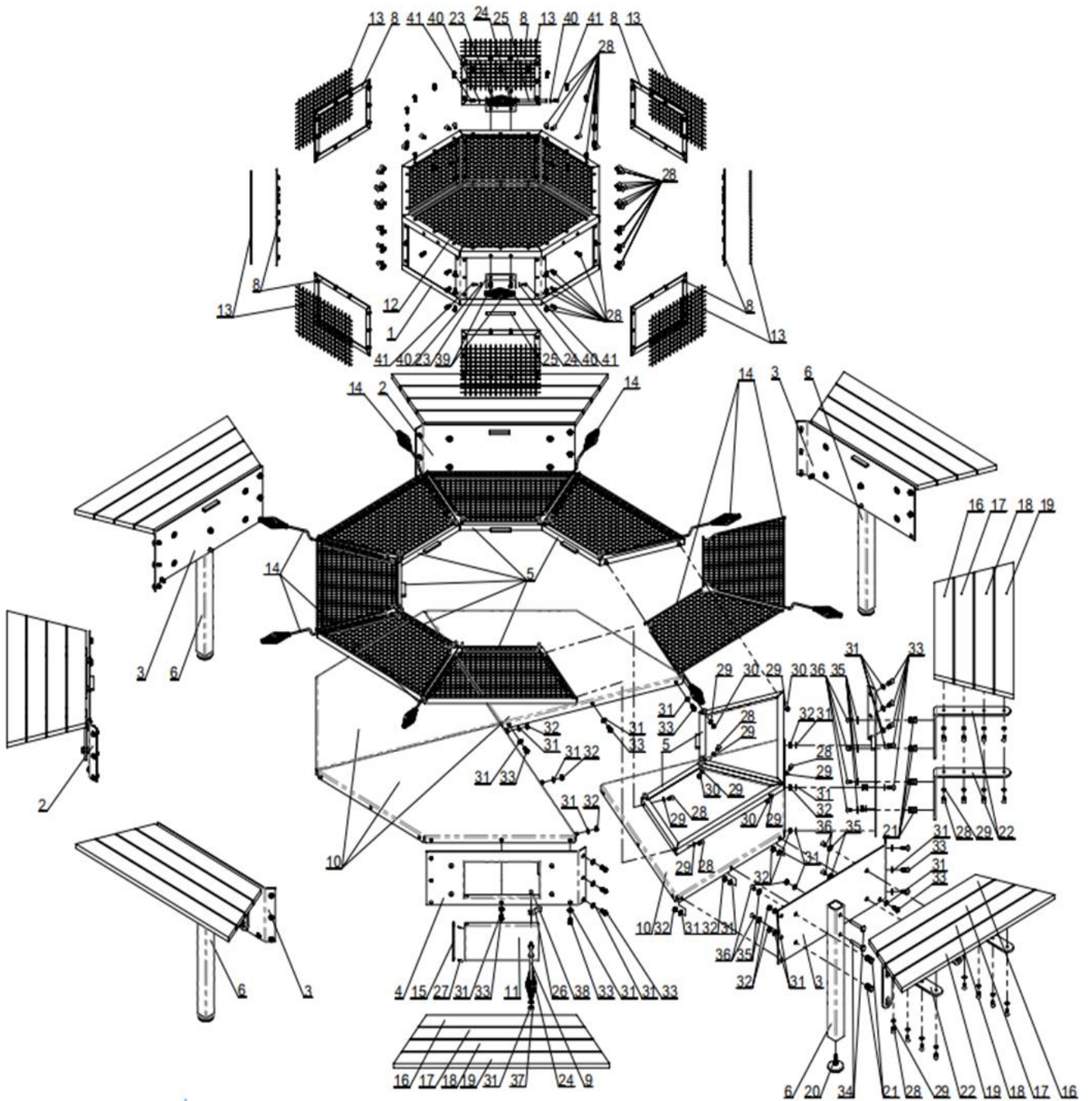
OWNER'S MANUAL

MPN(s): 8BBQTBL1-8BBQTBL2-8BBQTBL3

SKU(s): 400628

UPC(s): 719318386279

PARTS DIAGRAM / EXPLODED VIEW



KEY	BOX	DESCRIPTION	QTY
(1)	2	UPPER GRILL	x1
(2)	2	FURNACE WALL B	x3
(3)	2	FURNACE WALL A	x4
(4)	2	FURNACE WALL C	x1
(5)	3	TRAPEZOIDAL FRAME	x8
(6)	2	UPRIGHT FRAME	x4
(7)	2	OCTAGONAL FIXING FRAME	x8
(8)	2	RECTANGULAR FIXING FRAME	x8
(9)	2	HANDLE FRAME	x1
(10)	3	HEARTH PLATE	x4
(11)	2	STOVE DOOR	x1
(12)	2	OCTAGONAL METAL MESH	x1
(13)	2	RECTANGULAR METAL MESH	x8
(14)	2	TRAPEZOIDAL METAL MESH	x8
(15)	2	ROTATION SHAFT	x1
(16)	1	SHORT TABLE BOARD	x8
(17)	1	MIDDLE TABLE BOARD	x8
(18)	1	MID-LENGTH TABLE BOARD	x8
(19)	1	LONG TABLE BOARD	x8
(20)	2	M10 FOOT PAD	x4
(21)	2	FIXING SLEEVE	x32
(22)	2	SUPPORT FRAME	x16
(23)	2	HANDLE	x2
(24)	2	SPRING	x3
(25)	2	HANDLE-BAR PILLAR	x2
(26)	2	DOOR DAMPER	x1
(27)	2	COTTER PIN	x2
(28)	3	HEX BOLT M8*20	x164
(29)	3	FLAT WASHER $\Phi 9 * \Phi 16 * 1.6$	x96
(30)	3	FLAT NUT M8	x16
(31)	3	FLAT WASHER $\Phi 11 * \Phi 20 * 2$	x105
(32)	3	FLAT NUT M10	x56
(33)	3	HEX BOLT M10*25	x48
(34)	3	CARRIAGE BOLT M10*70	x8
(35)	3	BIG WASHER $\Phi 9 * \Phi 24 * 2$	x32
(36)	3	HEX BOLT M8*15	x32
(37)	3	NUT M10	x1
(38)	3	CROSS RECESS HEAD SCREW M6*10	x1
(39)	3	HEX BOLT M8*25	x4
(40)	3	FLAT WASHER $\Phi 6.6 * \Phi 12 * 1.6$	x4
(41)	3	HEX BOLT M6*15	x4

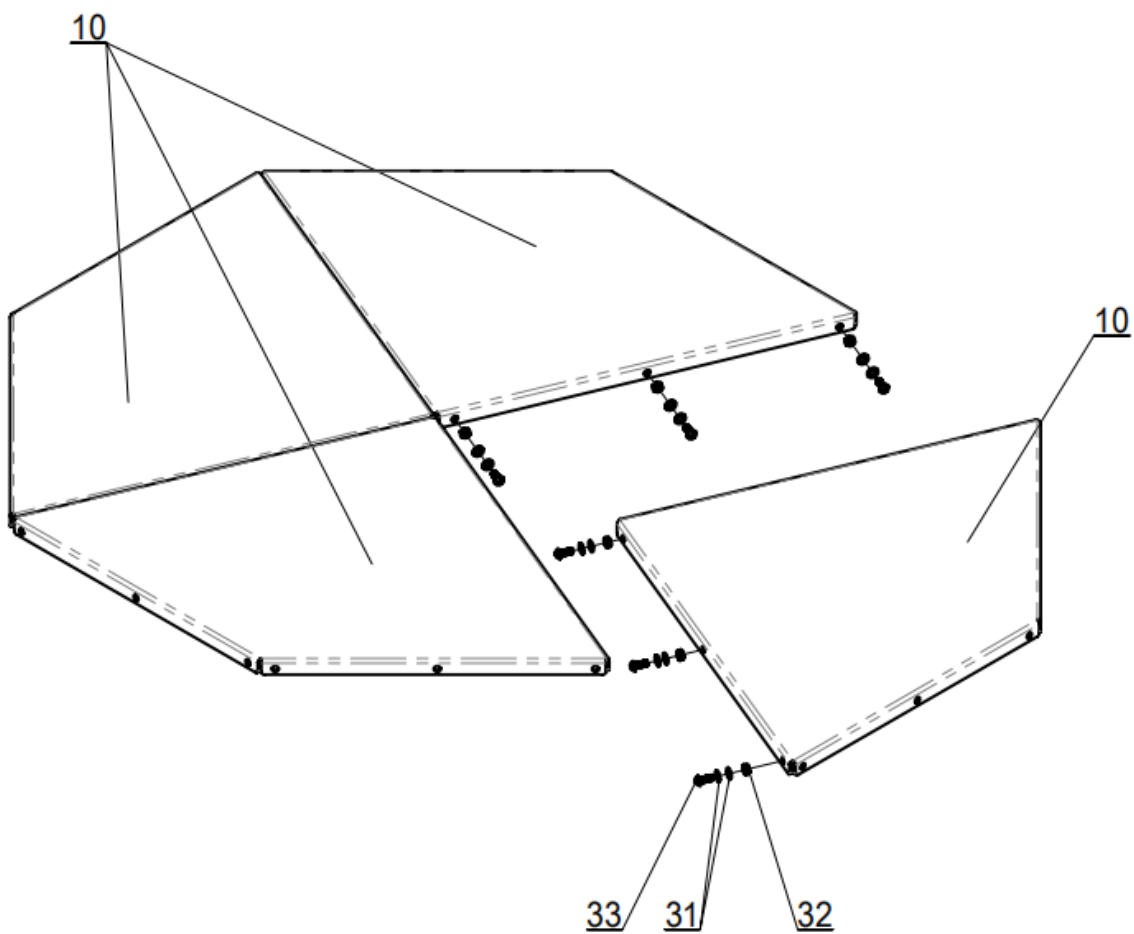


ASSEMBLY INSTRUCTIONS

STEP 1

Assemble **HEARTH PLATES (10)** using **HEX BOLTS M10*25 (33)**, **FLAT WASHERS $\Phi 11*\Phi 20*2$ (31)**, and **NUTS M10 (32)**.

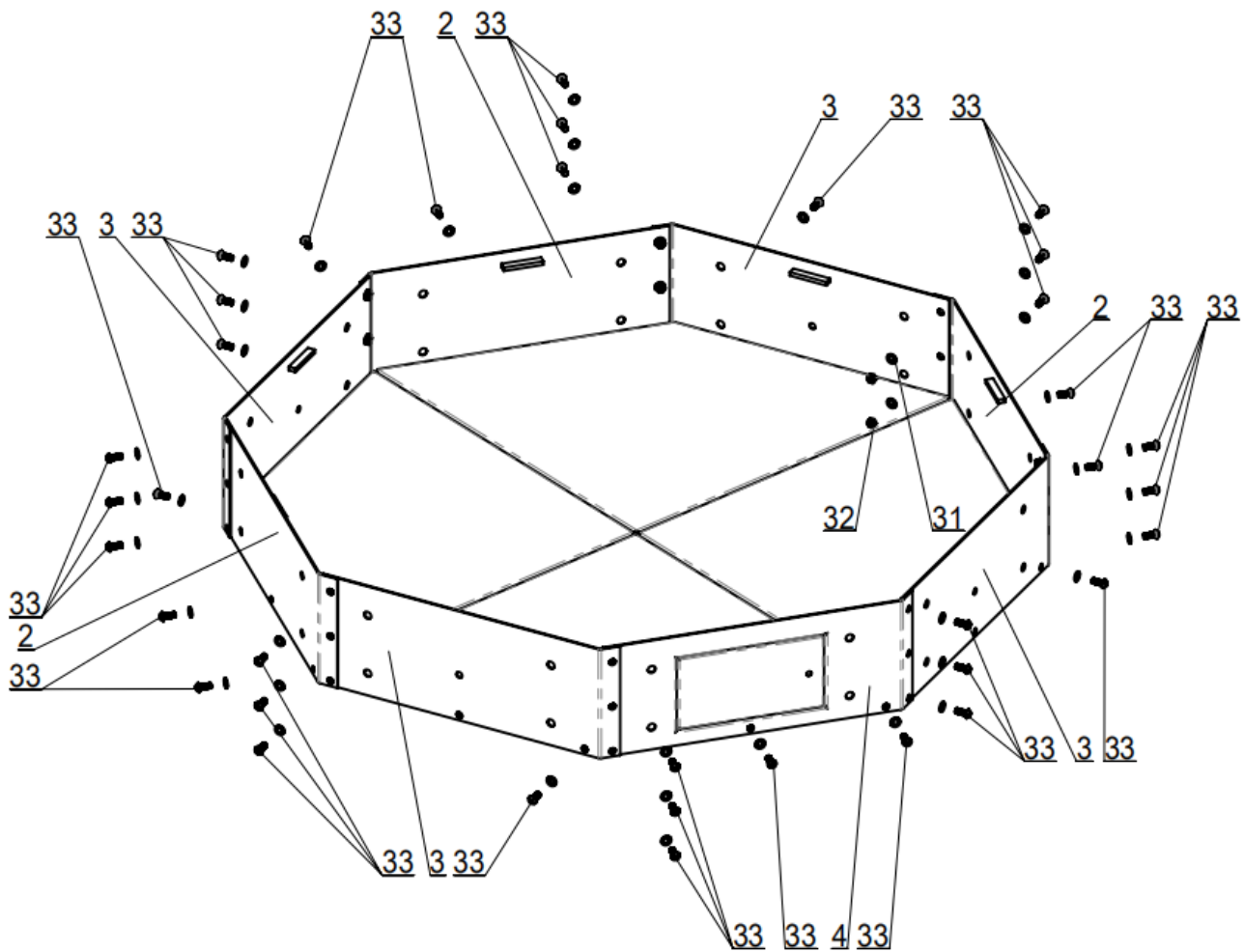
Tighten the bolts.



STEP 2

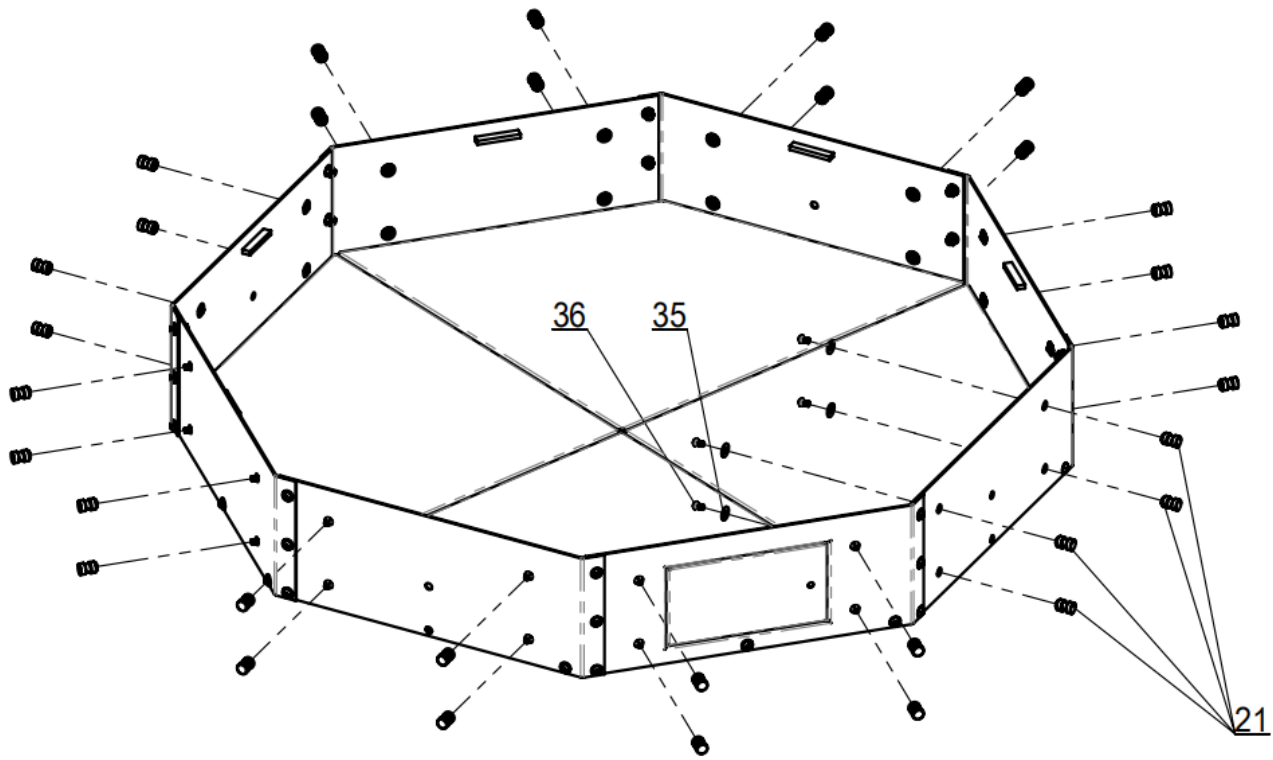
Install **FURNACE WALL A (3)**, **FURNACE WALL B (2)**, and **FURNACE WALL C (4)** on the **HEARTH PLATE (10)** using **HEX BOLTS M10*25 (33)**, **FLAT WASHERS $\Phi 11*\Phi 20*2$ (31)**, and **NUTS M10 (32)**.

Tighten the bolts.



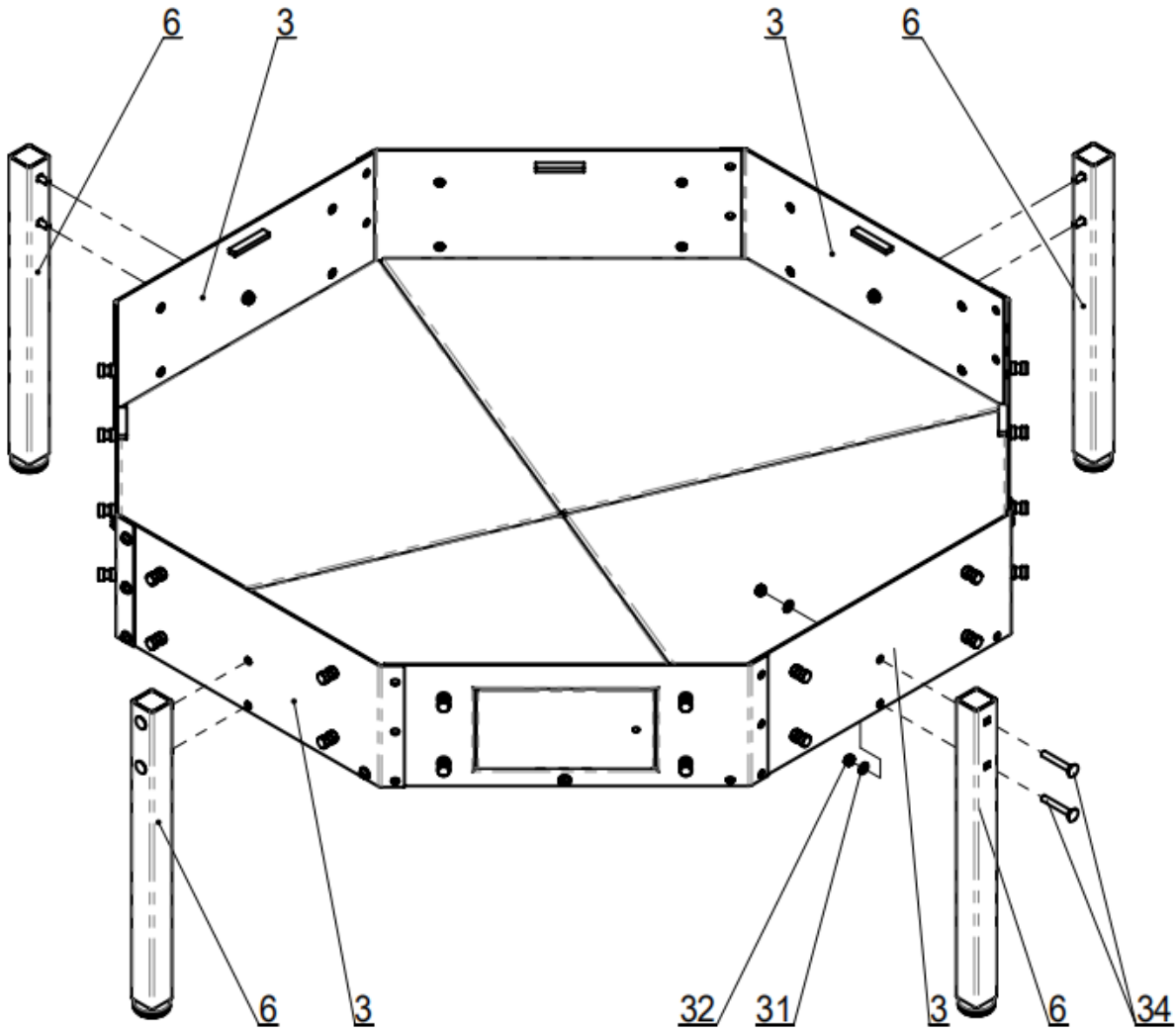
STEP 3

Install **FIXING SLEEVE (21)** on the **FURNACE WALLS (3, 2, 4)** using **HEX BOLTS M8*15 (36)** and **BIG WASHERS $\Phi 9*\Phi 24*2$ (35)**.



STEP 4

Install **UPRIGHT FRAME (6)** on the **FURNACE WALL A (3)** using **CARRIAGE BOLTS M10*70 (34)**, **FLAT WASHERS $\Phi 11*\Phi 20*2$ (31)**, and **NUTS M10 (32)**.



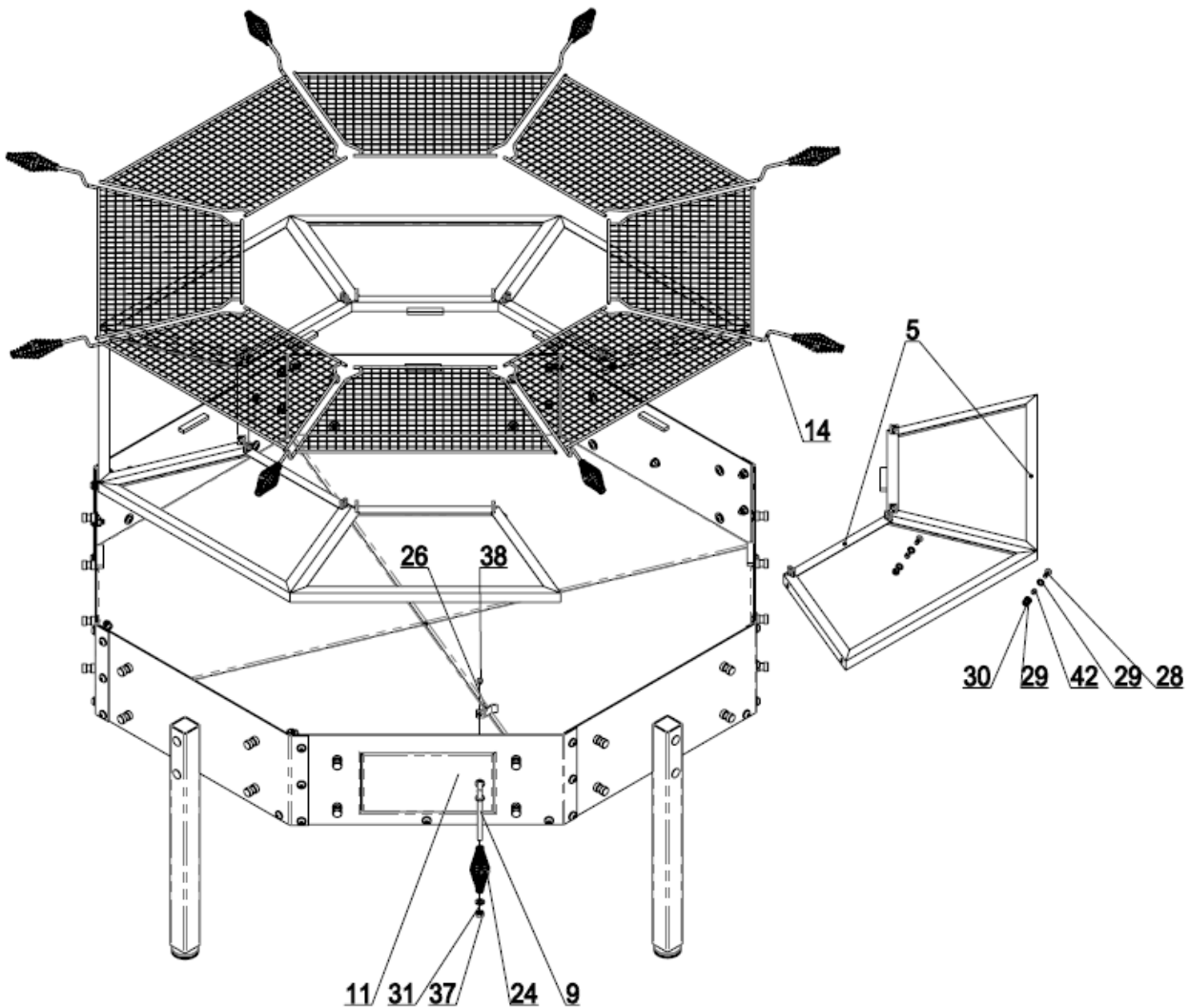
STEP 5

Assemble **SPRING (24)** and **HANDLE FRAME (9)** using **FLAT WASHERS $\Phi 11*\Phi 20*2$ (31)** and **NUTS M10 (37)**.

Install **HANDLE FRAME (9)** and **DOOR DAMPER (26)** on the **STOVE DOOR (11)** using **CROSS RECESS HEAD SCREW M6*10 (38)**.

Connect **TRAPEZOIDAL FRAMES (5)** to each other using **HEX BOLTS M8*20 (28)**, **FLAT WASHERS $\Phi 9*\Phi 16*1.6$ (29)**, **SLEEVE (42)**, and **NUTS M8 (30)**.

Put the **TRAPEZOIDAL FRAME (5)** into the furnace frame, and then assemble the **TRAPEZOIDAL METAL MESH (14)**.

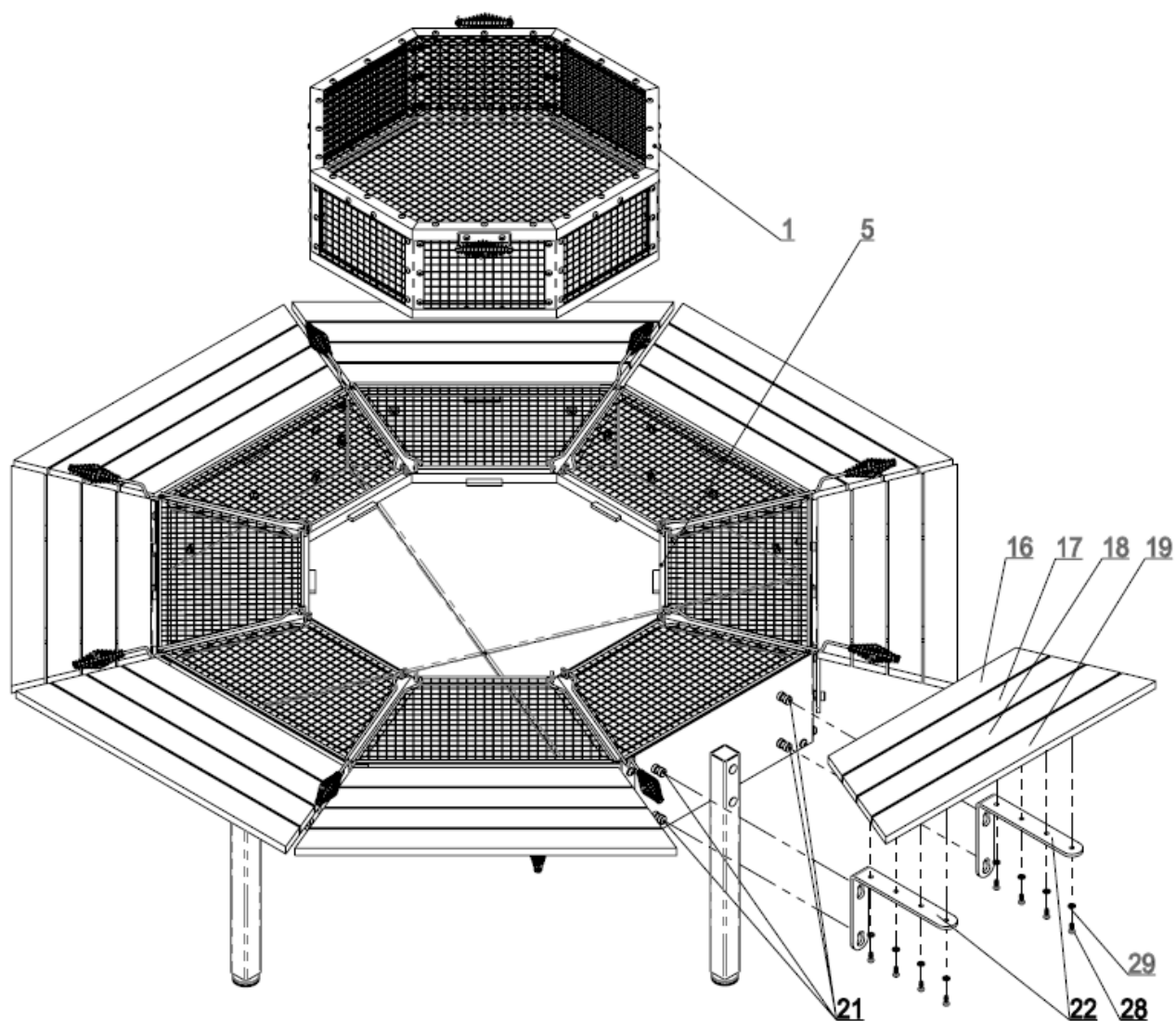


STEP 6

Install the **UPPER GRILL (1)** on the **TRAPEZOIDAL FRAME (5)** using **FLAT WASHERS $\Phi 11*\Phi 20*2$ (26)** and **NUTS M10 (31)**.

Install the **SUPPORT FRAME (22)** on the **FIXING SLEEVE (21)**, and then install the **TABLE GRADES (16, 17, 18, 19)** on the **SUPPORT FRAME (22)** using **HEX BOLTS M8*20 (28)** and **FLAT WASHERS $\Phi 9*\Phi 16*1.6$ (29)**.

Tighten the bolts.





This concludes the 8BBQTBL Owner's Manual.

If applicable to your product, make sure to tighten all nut-and-bolt combinations before use.

Enjoy!

DISCLAIMER

This equipment must be used with care by capable and competent individuals under supervision, if necessary.

The use of any equipment, including this one, involves the potential risk of injury. You accept and assume full responsibility for any and all injuries, damages (both economic and non-economic), and losses of any type, which may occur, and you fully and forever release and discharge Titan, its insurers, employees, officers, directors, associates, and agents from any and all claims, demands, damages, rights of action, or causes of action, present or future, whether the same be known or unknown, anticipated, or unanticipated, resulting from or arising out of the use of said equipment.

TITAN MAKES NO WARRANTY WHATSOEVER WITH RESPECT TO THE EQUIPMENT, INCLUDING ANY WARRANTY OF MERCHANTABILITY OR WARRANTY OF FITNESS FOR A PARTICULAR PURPOSE, WHETHER EXPRESS OR IMPLIED BY LAW, COURSE OF DEALING, COURSE OF PERFORMANCE, USAGE OF TRADE OR OTHERWISE. BUYER ASSUMES ALL LIABILITY IN USE OF THE EQUIPMENT.

NEED HELP?

CONTACT US FIRST.

1 (800) 605-8241

info@titandistributorsinc.com / www.titangreatoutdoors.com

Business Hours: Monday–Friday • 8:00 a.m.–5:00 p.m. (CT)

