

# TITAN

## GREAT OUTDOORS



### OWNER'S MANUAL

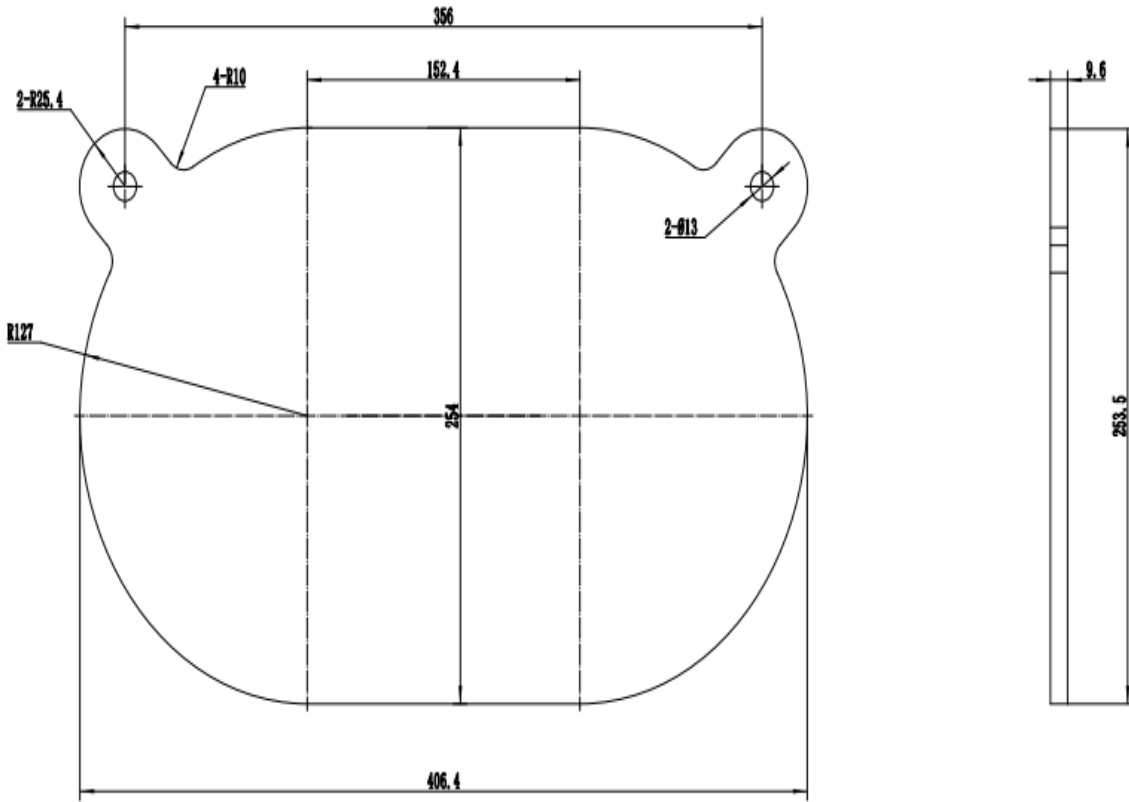
---

**MPN:** OBSHTGT

**SKU:** 899073

**UPC:** 840009208515

# PARTS DIAGRAM / EXPLODED VIEW



KEY	BOX	DESCRIPTION	QTY
(1)	1	OBSHTGT	1



# IMPORTANT PRODUCT INFORMATION

---

## WARNINGS:

- Never shoot steel core, steel jacket, solid copper ammo, or magnum rounds at the Titan shooting target.
- Do not shoot the Titan shooting target with BB's, pellets, or air soft. They do not have enough force to splatter and will ricochet.
- Do not shoot any closer than 100 yards with a rifle and 10 yards with a handgun.
- Do not shoot a caliber larger than .308 at the Titan shooting target.
- ALWAYS wear eye and ear protection while shooting at the target.

## SUGGESTIONS:

- To prevent injury from a ricochet wear shooting glasses and protective clothing. Ear protection is also highly recommended when shooting.
- To avoid pitting, keep the speed of bullet impact below 3000 fps.
- To lessen ricochet, keep the speed of the bullet impact above 1500 fps.
- Flip your Titan shooting target to prolong target life.

## MINIMUM SHOOTING DISTANCES PER CALIBER:

- 10 Yards
  - .22 Rim Fire
  - 9mm
  - .38 Spl
  - .44 Spl
  - .45 acp
- 12 Yards
  - .357
  - .40 SW
  - Shotgun with lead bird shot
- 20 Yards
  - Shotgun with standard velocity 00 buck shot
- 50 Yards
  - Shotgun with standard velocity slug
- 100 Yards
  - .30 to 30
- 150 Yards
  - .308

## SUGGESTED HANGING METHOD:

- Hang the Titan shooting target at an angle like the target shown in the below diagram. This will reduce harmful ricochet.





**SAFEST USE:**

For safest use of the Titan shooting target, stand in front of the target with a minimum of the suggested shooting distance for your caliber between the Titan shooting target and yourself, then aim directly at the center of the target.



*This concludes the OBSHTGT Owner's Manual*

*Enjoy!*

## **DISCLAIMER**

This equipment must be used with care by capable and competent individuals under supervision, if necessary.

The use of any equipment, including this one, involves the potential risk of injury. You accept and assume full responsibility for any and all injuries, damages (both economic and non-economic), and losses of any type, which may occur, and you fully and forever release and discharge Titan, its insurers, employees, officers, directors, associates, and agents from any and all claims, demands, damages, rights of action, or causes of action, present or future, whether the same be known or unknown, anticipated, or unanticipated, resulting from or arising out of the use of said equipment.

TITAN MAKES NO WARRANTY WHATSOEVER WITH RESPECT TO THE EQUIPMENT, INCLUDING ANY WARRANTY OF MERCHANTABILITY OR WARRANTY OF FITNESS FOR A PARTICULAR PURPOSE, WHETHER EXPRESS OR IMPLIED BY LAW, COURSE OF DEALING, COURSE OF PERFORMANCE, USAGE OF TRADE OR OTHERWISE. BUYER ASSUMES ALL LIABILITY IN USE OF THE EQUIPMENT.

**NEED HELP?**

**CONTACT US FIRST.**

[info@titandistributorsinc.com](mailto:info@titandistributorsinc.com) / [www.titangreatoutdoors.com](http://www.titangreatoutdoors.com)

**Business Hours: Monday–Friday • 8:00 a.m.–5:00 p.m. (CT)**

