

TITAN

GREAT OUTDOORS



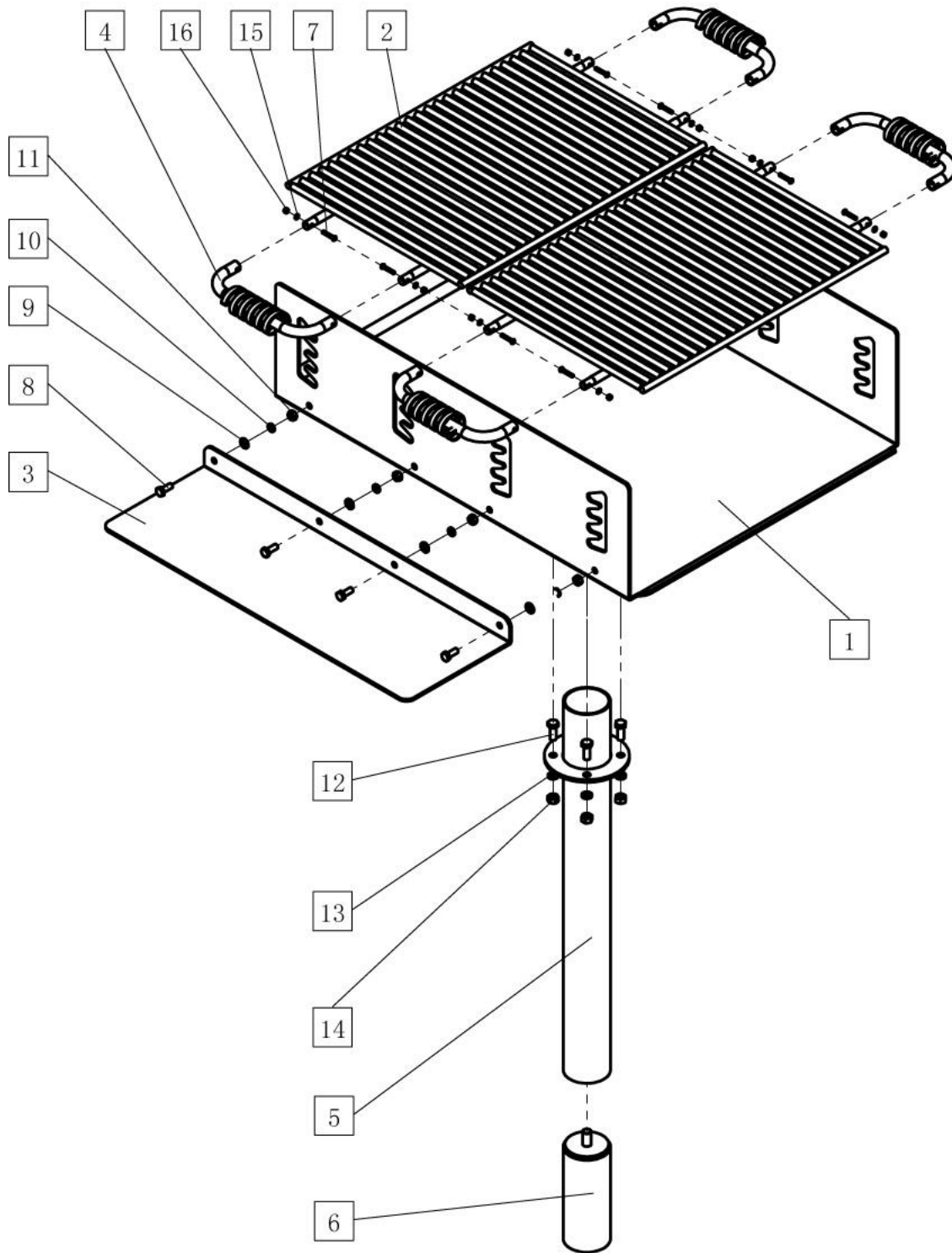
OWNER'S MANUAL

MPN(s): PARKGRILL2S

SKU(s): 899226

UPC(s): 840009206030

PARTS DIAGRAM / EXPLODED VIEW



KEY	DESCRIPTION	QTY
(1)	Grill Box	1
(2)	Cooking Grate	2
(3)	Food Tray	1
(4)	Handle	4
(5)	Upper Post	1
(6)	Lower Post	1
(7)	Countersunk Hexa Bolt M5x30	8
(8)	Hexa Nut M10x25	4
(9)	Flat Washer 10	4
(10)	Spring Washer 10	4
(11)	Hexa Nut M10	4
(12)	Hexa Bolt M12x30	4
(13)	Spring Washer 12	4
(14)	Hexa Nut M12	4
(15)	Flat Washer 5	8
(16)	Hexa Nut M5	8

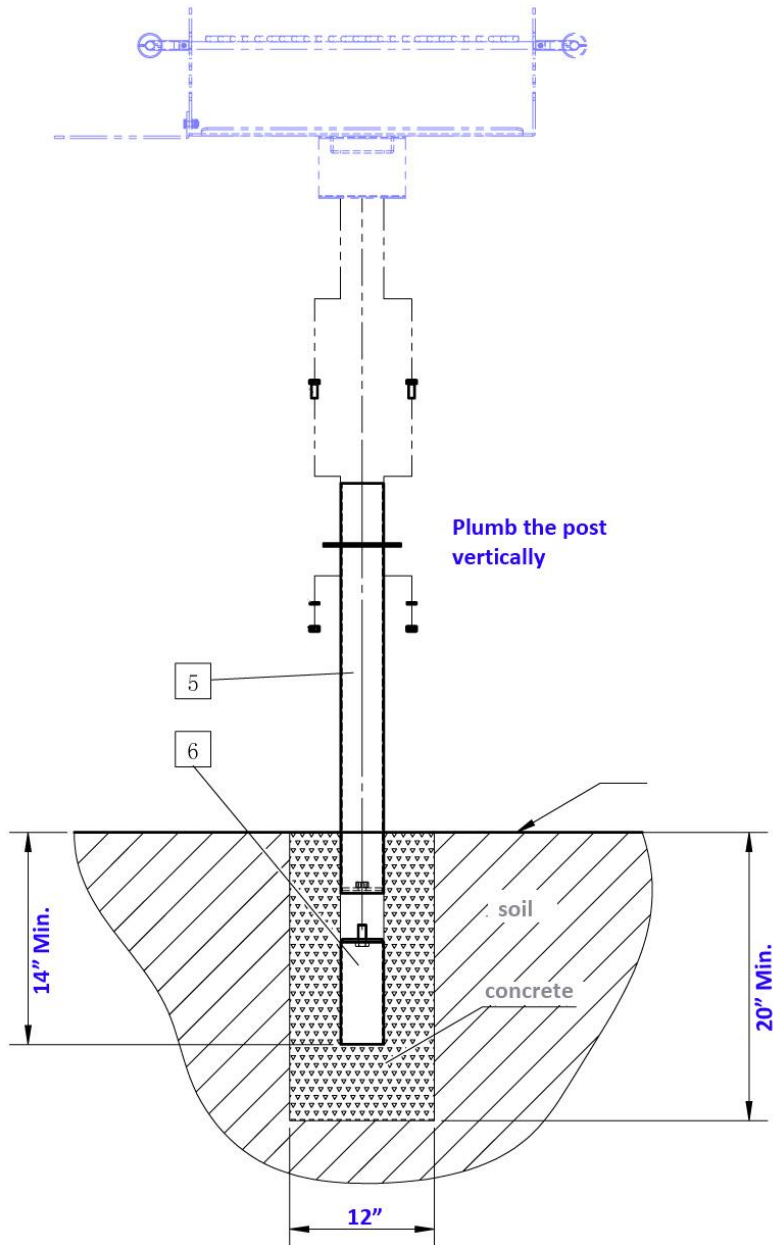


ASSEMBLY INSTRUCTIONS

A. Connect Upper Post to Lower Post

- Screw Upper Post (5) onto Lower Post (6) and tighten.

B. Foundation Work

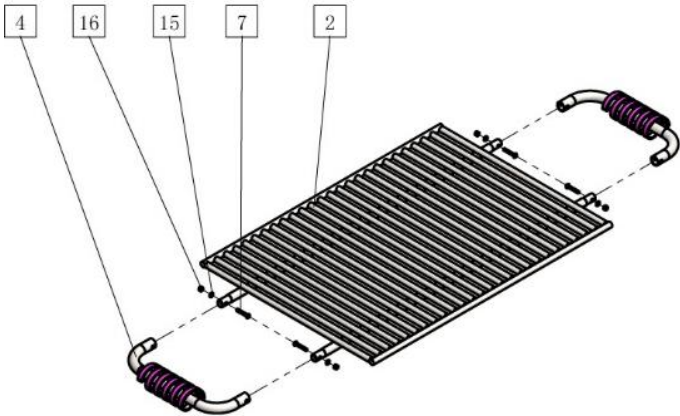


- Use a post hole digger to dig a hole with minimum diameter of 12" by 20" deep, and fill the hole with concrete.
- Push the Post into concrete for minimum 14" deep, leaving about 38" above the ground (if lower grilling height is preferred, push the post further below). It is very important to make sure that the post is plumbed vertically). Do not install the Grill Box on Post until concrete is fully cured.



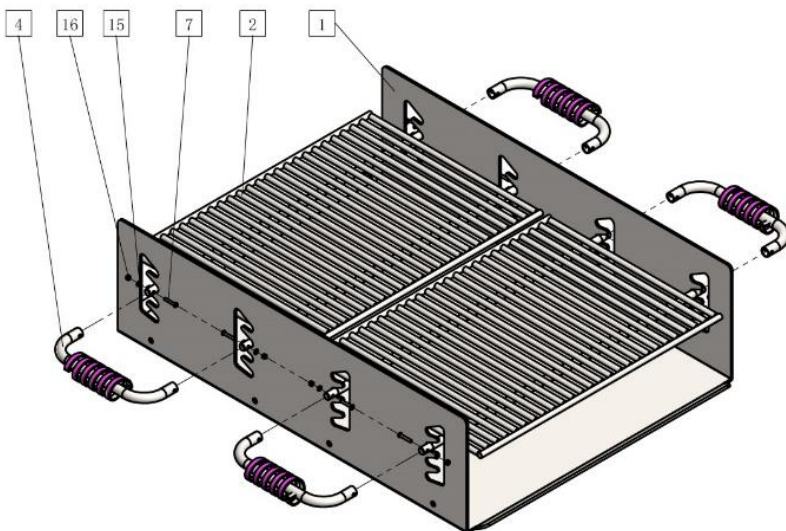
C. Assembling the Grill

1. Taking of handle attached to Cooking Grate



- Handles (4) are bolted onto Cooking Grate (2) for shipping. Using Allen Wrench to take off the Handle (4) from Cooking Grate (2) by unscrewing Countersunk Hexa Bolt M5x30 (7). Keep the hardware sets including also Flat Washer 5 (15) and Hexa Bolt M5 (16) for later use.

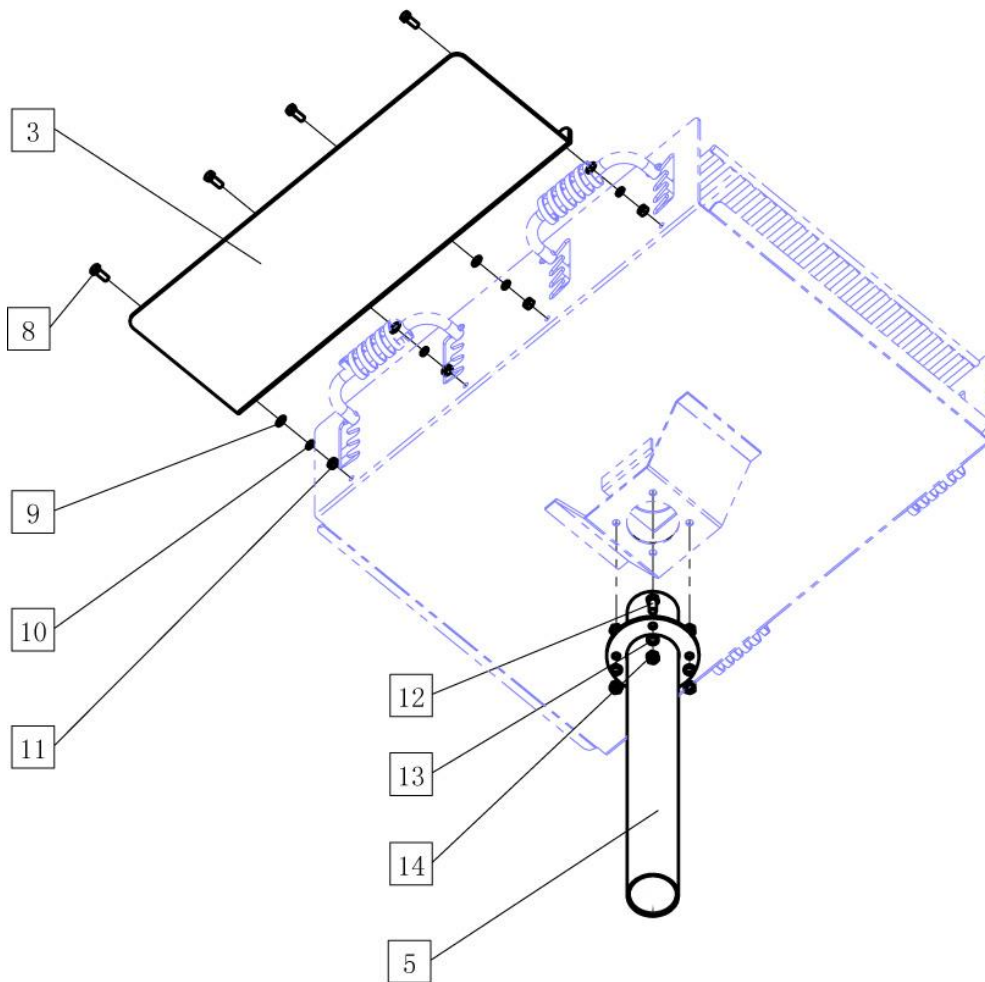
2. Install Cooking Grates onto Grill Box



- Rest the support bars of the Cooking Grate (2) into the channels of the Grill Box (1).
- Attach the Handle (4) into the support bars of the Cooking Grate (2). Align holes and insert Countersunk Hexa Bolt M5x30 (7) through the holes and lock the handle with Flat Washer 5 (15) and Hexa Bolt M5 (16).



4. Installing Grill Box on Post



- Make sure that the concrete holding the Post is fully cured. Align the hole of Grill Box (1) bottom bracket with the Post. Align bolt holes of the Grill Box bracket with that of the Post flange at Post top. Lock the Grill Box (1) by using Hexa Bolt M12x30 (12), Spring Washer 12 (13) and Hexa Nut M12 (14).
- Install the Food Tray (3) by using Hexa Bolt M10x25 (8), Flat Washer 10 (9), Spring Washer 10 (10) And Hexa Nut M12 (11).





This concludes the PARKGRILL2S Owner's Manual.

If applicable to your product, make sure to tighten all nut-and-bolt combinations before use.

Enjoy!

DISCLAIMER

This equipment must be used with care by capable and competent individuals under supervision, if necessary.

The use of any equipment, including this one, involves the potential risk of injury. You accept and assume full responsibility for any and all injuries, damages (both economic and non-economic), and losses of any type, which may occur, and you fully and forever release and discharge Titan, its insurers, employees, officers, directors, associates, and agents from any and all claims, demands, damages, rights of action, or causes of action, present or future, whether the same be known or unknown, anticipated, or unanticipated, resulting from or arising out of the use of said equipment.

TITAN MAKES NO WARRANTY WHATSOEVER WITH RESPECT TO THE EQUIPMENT, INCLUDING ANY WARRANTY OF MERCHANTABILITY OR WARRANTY OF FITNESS FOR A PARTICULAR PURPOSE, WHETHER EXPRESS OR IMPLIED BY LAW, COURSE OF DEALING, COURSE OF PERFORMANCE, USAGE OF TRADE OR OTHERWISE. BUYER ASSUMES ALL LIABILITY IN USE OF THE EQUIPMENT.

NEED HELP?

CONTACT US FIRST.

1 (800) 605-8241

info@titandistributorsinc.com / www.titangreatoutdoors.com

Business Hours: Monday–Friday • 8:00 a.m.–5:00 p.m. (CT)

