

TITAN

GREAT OUTDOORS



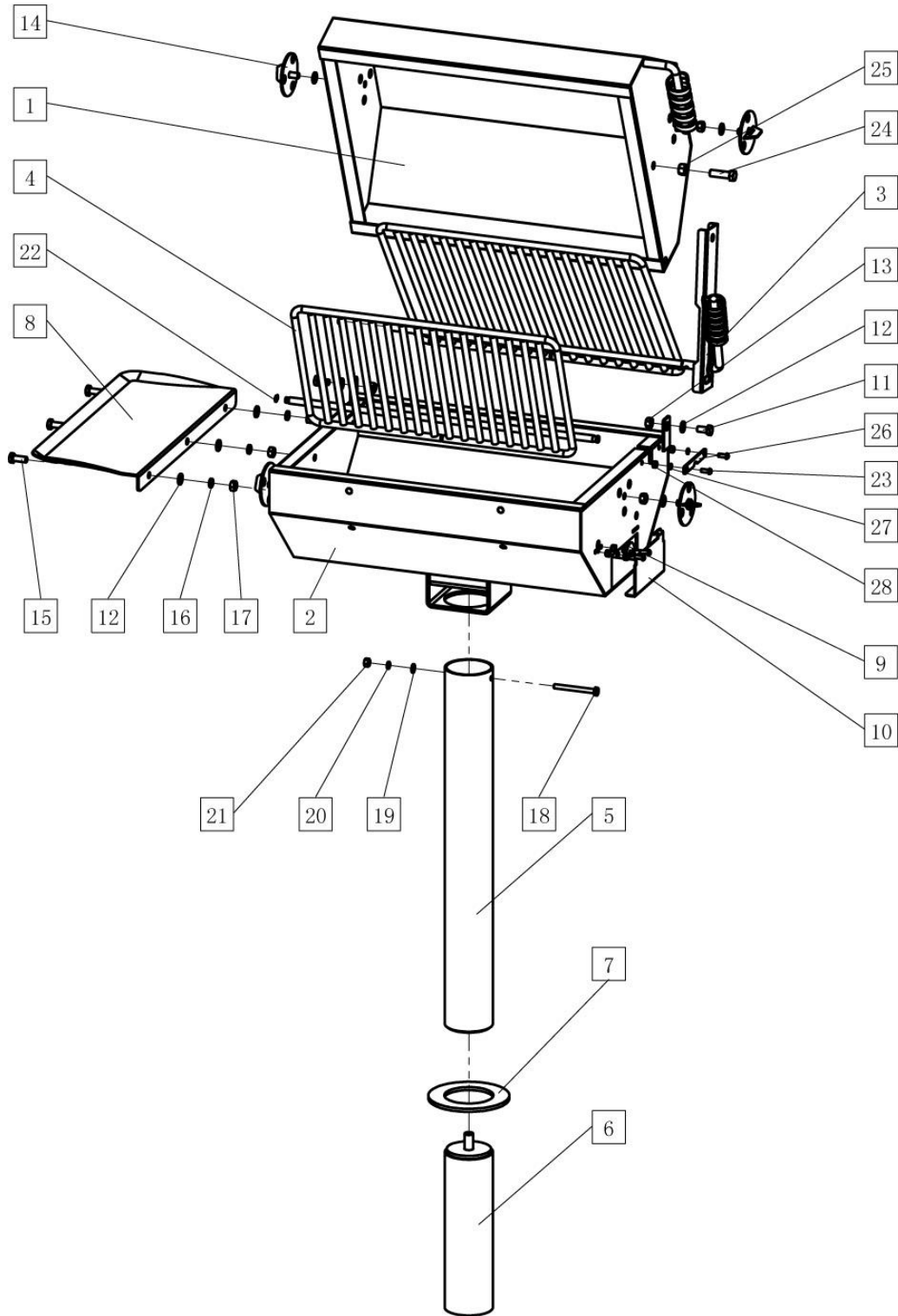
OWNER'S MANUAL

MPN(s): PKGLwH

SKU(s): 899227

UPC(s): 840009206665

PARTS DIAGRAM / EXPLODED VIEW

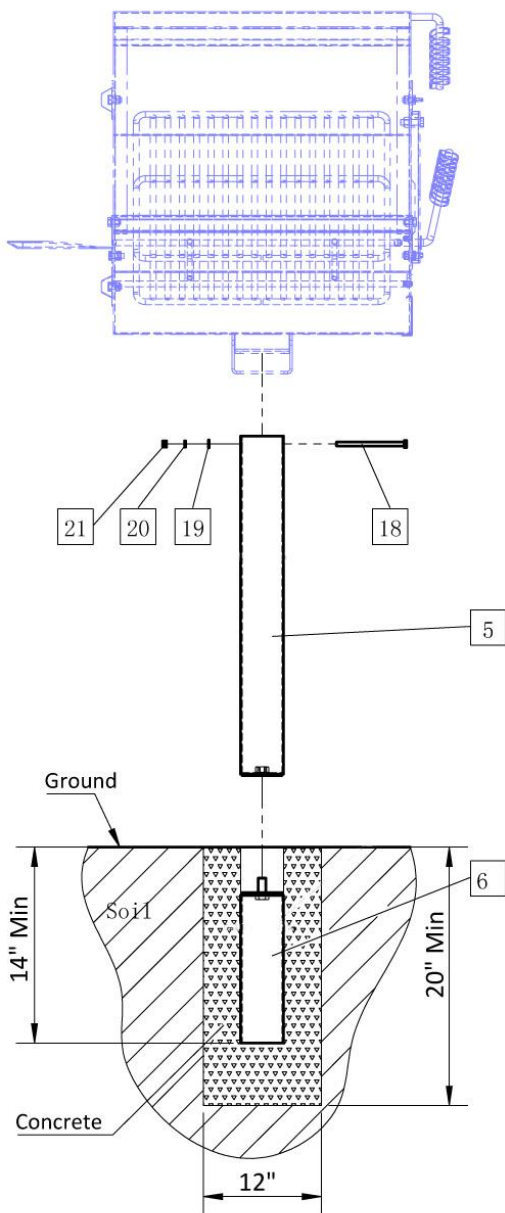


KEY	BOX	DESCRIPTION	QTY
(1)		Grill Hood	1
(2)		Charcoal Box	1
(3)		Cooking Grate - Upper	1
(4)		Cooking Grate - Lower	1
(5)		Upper Post	1
(6)		Lower Post	1
(7)		Post Base Cap	1
(8)		Food Tray	1
(9)		Stopper Plate	1
(10)		Ash Gate	9
(11)		Hexa Bolt M10x20	2
(12)		Flat Washer 10	9
(13)		Hexa Lock Nut M10	6
(14)		Vent	4
(15)		Hexa Bolt M10x25	3
(16)		Spring Washer 10	3
(17)		Hexa Nut M10	3
(18)		Hexa Bolt M8x140	1
(19)		Flat Washer 8	1
(20)		Spring Washer 8	1
(21)		Hexa Nut M8	1
(22)		Washer 10	2
(23)		Countersunk Hexa Round Head Bolt M6x16	4
(24)		Hexa Bolt M10x40	1
(25)		Hexa Lock Nut M12	1
(26)		Mounting Plate	1
(27)		Spring Washer 6	4
(28)		Hexa Nut M6	4



ASSEMBLY INSTRUCTIONS

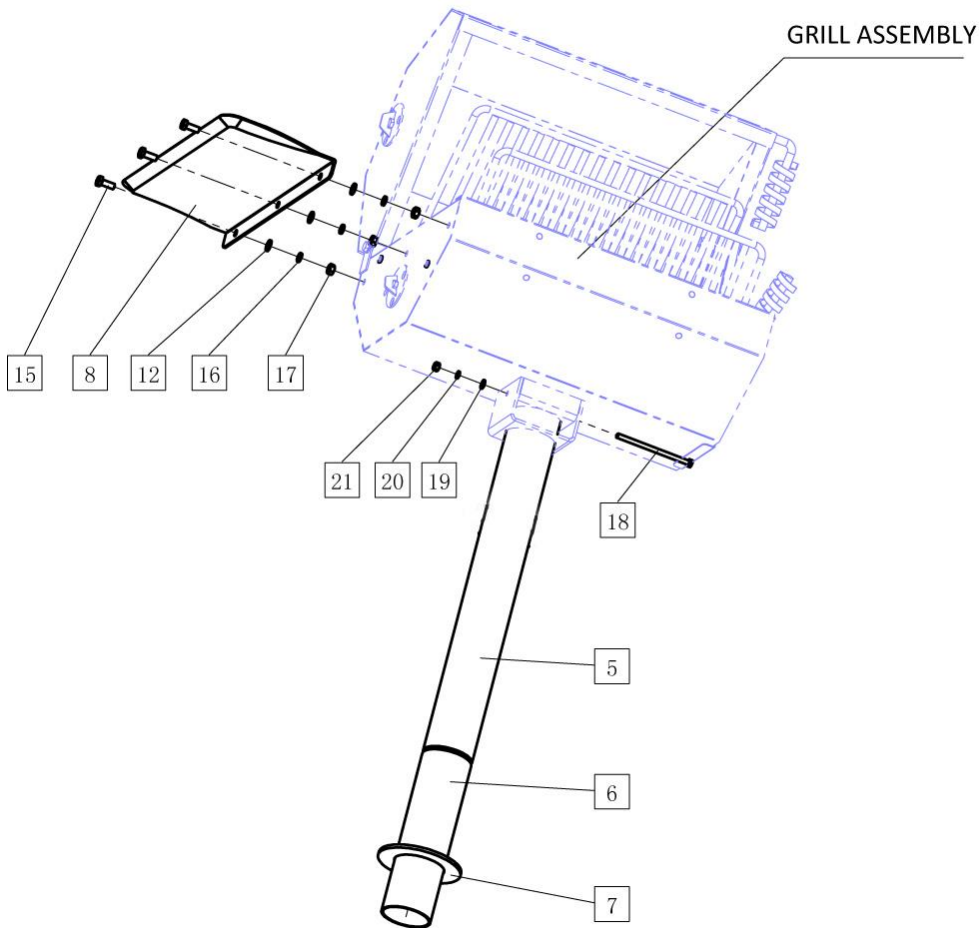
Step 1 – Setting up Foundation



1. Screw Upper Post (5) onto Lower Post (6) and tighten.
2. Use a post hole digger to dig a hole with minimum diameter of 12" by 20" deep, and fill the hole with concrete.
3. Push the Post into concrete for minimum 14" deep (if lower grilling height is preferred, push the post further below). It is very important to make sure that the post is plumbed vertically). Do not install the Grill Box on Post until concrete is fully cured.



Step 2 – Installing the Grill Assembly to the Post



1. Attach Food Tray (8) to the Grill Assembly using Hexa Bolt M10x25 (15), Flat Washer 10 (12), Spring Washer 10 (16) and Hexa Nut M10 (17). The order of assembling is to push Hexa Bolt M10x25 (15) through these parts, and then place Flat Washer 10 (12), Spring Washer 10 (16) and Hexa Nut M10 (17) on the end of the bolt. Tighten all hardware.
2. Place the Grill Assembly on top of Upper Post (5) and align holes. Insert Hexa Bolt M8x140 (18) through holes and place Flat Washer 8 (19), Spring Washer 8 (20) and Hexa Nut M8 (21) on the end of the bolt. Tighten all Hardware.





This concludes the PKGLwH Owner's Manual.

If applicable to your product, make sure to tighten all nut-and-bolt combinations before use.

Enjoy!

DISCLAIMER

This equipment must be used with care by capable and competent individuals under supervision, if necessary.

The use of any equipment, including this one, involves the potential risk of injury. You accept and assume full responsibility for any and all injuries, damages (both economic and non-economic), and losses of any type, which may occur, and you fully and forever release and discharge Titan, its insurers, employees, officers, directors, associates, and agents from any and all claims, demands, damages, rights of action, or causes of action, present or future, whether the same be known or unknown, anticipated, or unanticipated, resulting from or arising out of the use of said equipment.

TITAN MAKES NO WARRANTY WHATSOEVER WITH RESPECT TO THE EQUIPMENT, INCLUDING ANY WARRANTY OF MERCHANTABILITY OR WARRANTY OF FITNESS FOR A PARTICULAR PURPOSE, WHETHER EXPRESS OR IMPLIED BY LAW, COURSE OF DEALING, COURSE OF PERFORMANCE, USAGE OF TRADE OR OTHERWISE. BUYER ASSUMES ALL LIABILITY IN USE OF THE EQUIPMENT.

NEED HELP?

CONTACT US FIRST.

1 (800) 605-8241

info@titandistributorsinc.com / www.titangreatoutdoors.com

Business Hours: Monday–Friday • 8:00 a.m.–5:00 p.m. (CT)

