

TITAN

GREAT OUTDOORS



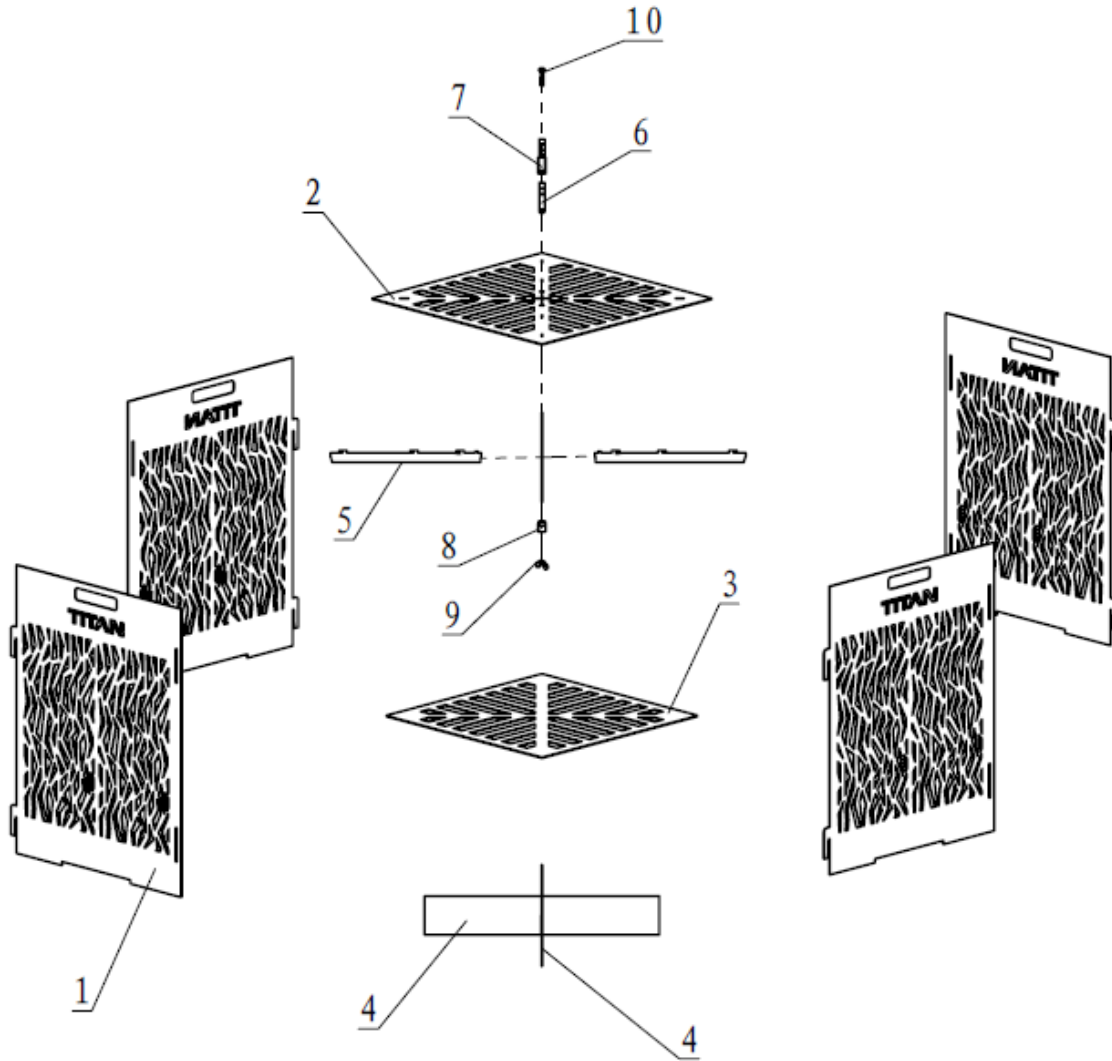
OWNER'S MANUAL

MPN(s): 30BRNBX

SKU(s): 899256

UPC(s): 840009215827

PARTS DIAGRAM / EXPLODED VIEW



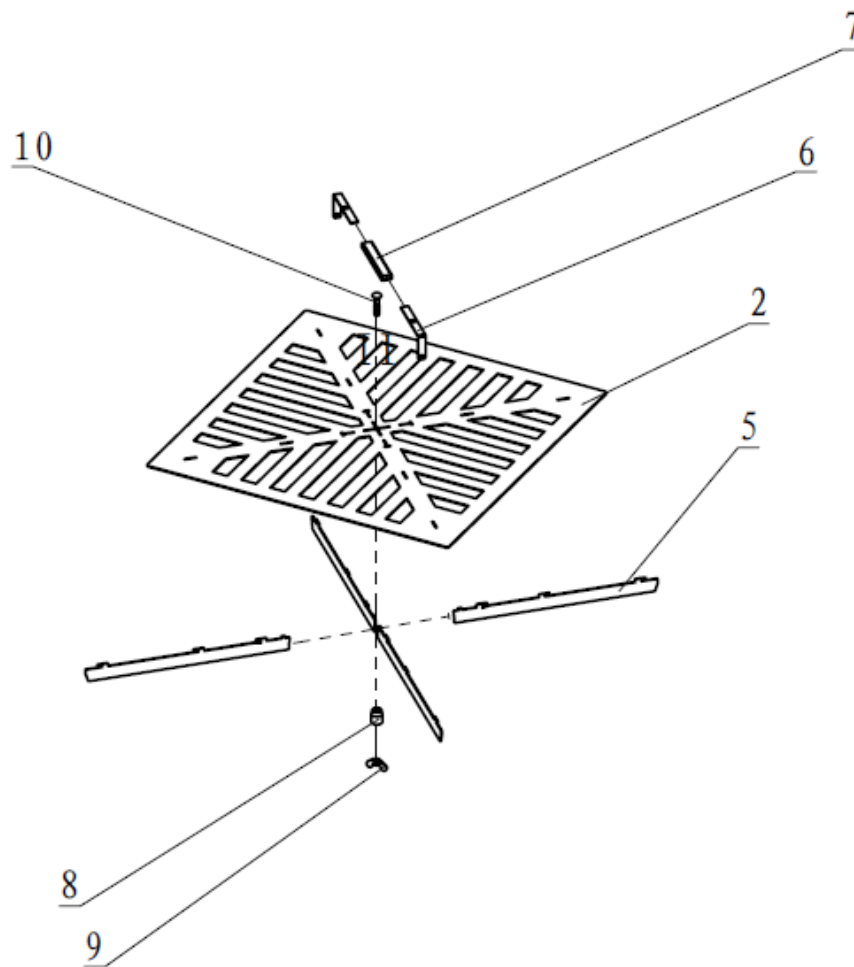
KEY	BOX	DESCRIPTION	QTY	KEY	BOX	DESCRIPTION	QTY
(1)	1	30" Lateral Plate	4	(6)	1	L-Shape Handle	2
(2)	1	Top Plate	1	(7)	1	Small Handle Tube	1
(3)	1	Bottom Plate	1	(8)	1	Bushing Φ 20* Φ 8.20*25	1
(4)	1	Support Plate	2	(9)	1	Butterfly Nut M8	1
(5)	1	Top Strengthening Plate	4	(10)	1	Carriage Bolt M8*40	1



ASSEMBLY INSTRUCTIONS

STEP 1

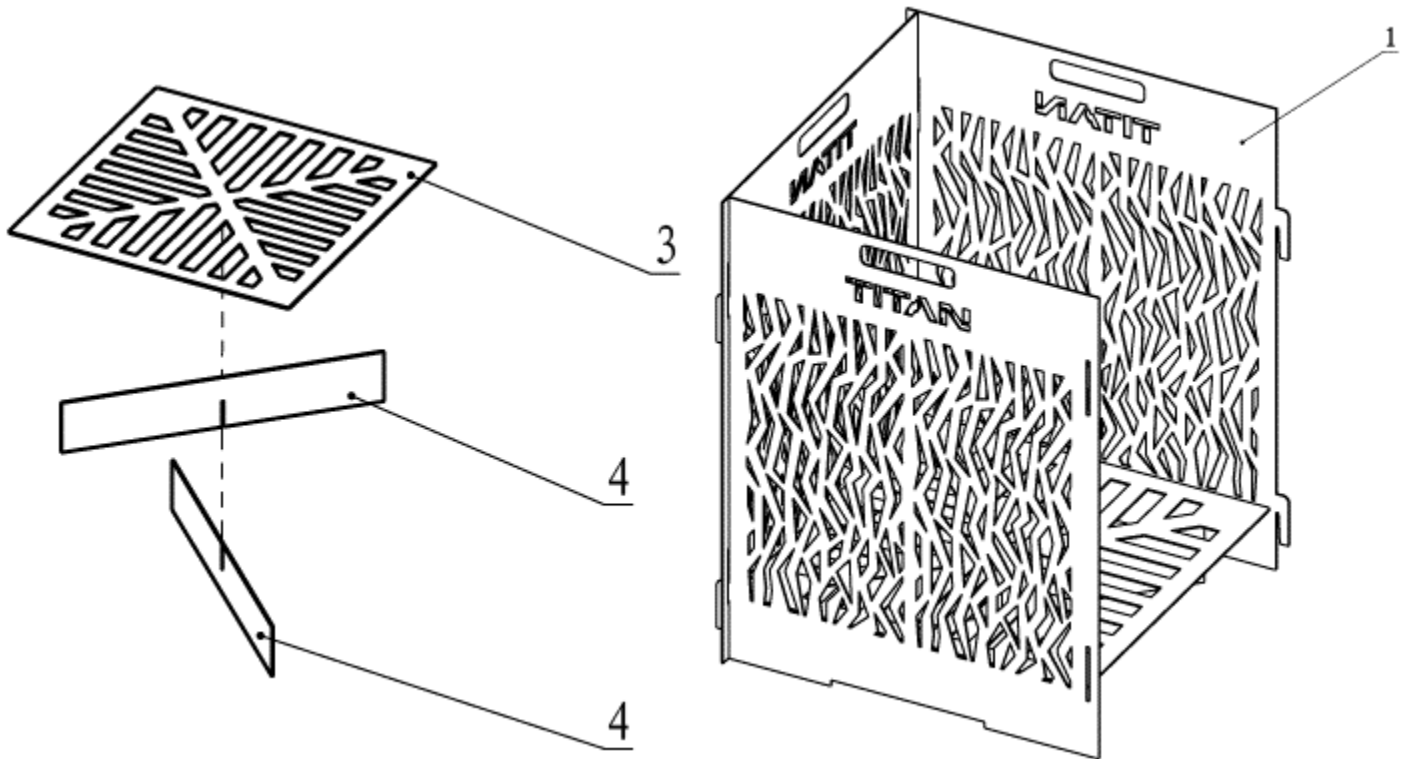
1. Insert the Top Strengthening Plate (5) into the slot on the Top Plate (2), then Push them to the side near the center.
2. Pass carriage bolt (10) through the side of Top Plate (2) completely, then pass Bushing (8) through carriage bolt (10) with Butterfly Nut (9), do not tighten.
3. Insert the L-shape Handle (6) into the Small Handle tube (7), then install them on the slot of Top Plate (2).
4. Push the Top Strengthening Plates (5) around to fix the handle. Finally, tighten the butterfly nut (9).



ASSEMBLY INSTRUCTIONS

STEP 2

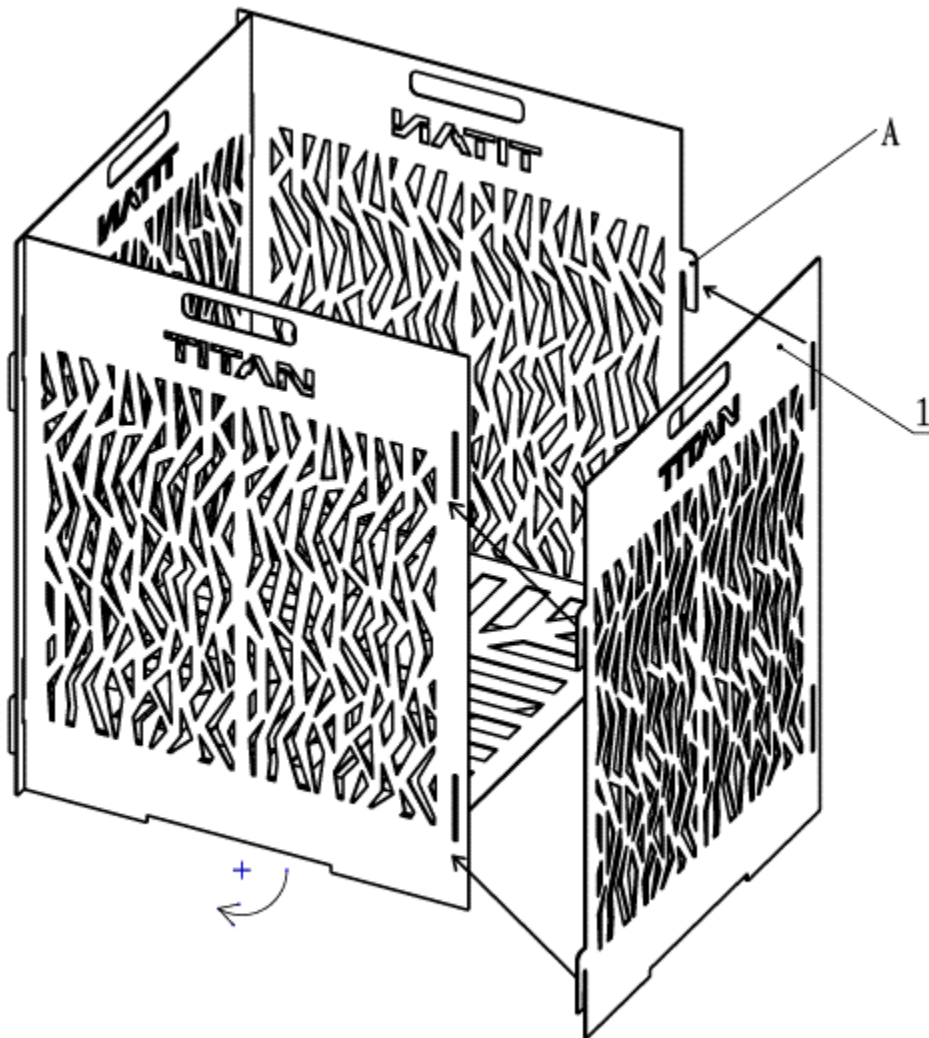
1. After Support Plate (4) are cross fixed as shown in the figure, Place the Bottom plate (3) on the fixed support plate (4).
2. Lift a Lateral plate (1) gently into the slot. Install other Lateral plates (1) in this way.



ASSEMBLY INSTRUCTIONS

STEP 3

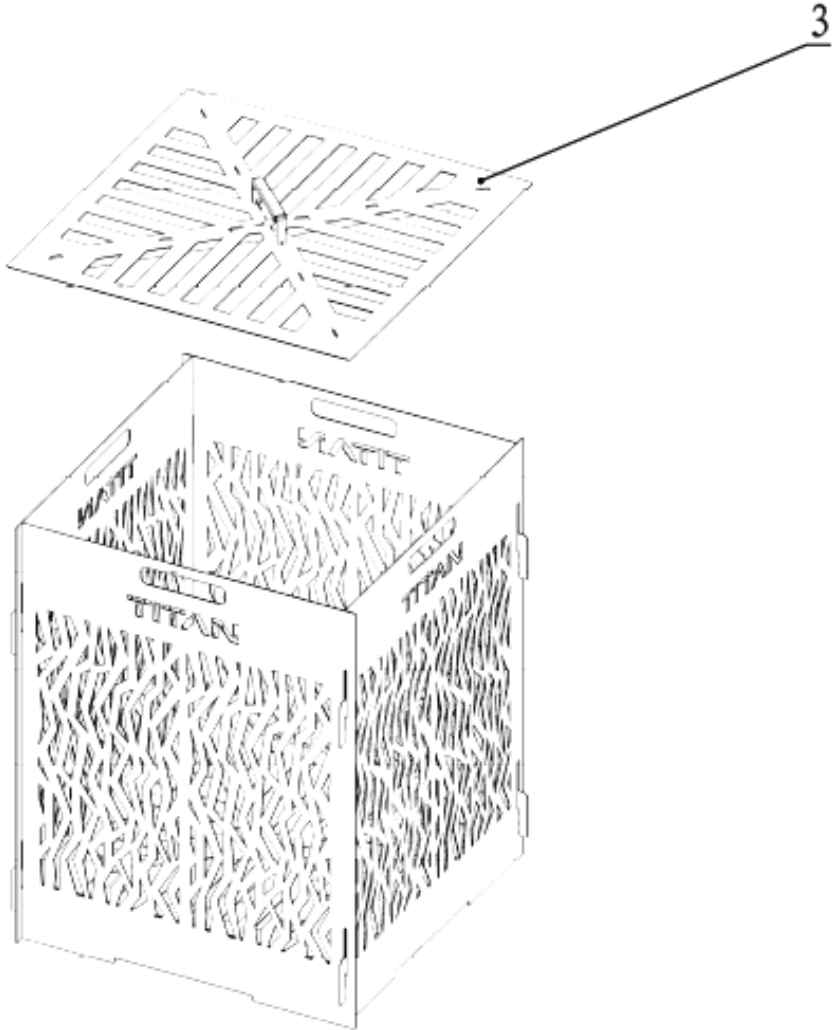
1. Insert the last Lateral Plate (1) into the slot on both side of Lateral Plate (1).
2. Then forcefully lift the last Lateral plate (1) and make it hook into the adjacent slot.



ASSEMBLY INSTRUCTIONS

STEP 4

Cover the Top Plate (3).





*This concludes the 30BRNBX Owner's Manual.
If applicable to your product, make sure to tighten
all nut-and-bolt combinations before use.*

Enjoy!

DISCLAIMER

This equipment must be used with care by capable and competent individuals under supervision, if necessary.

The use of any equipment, including this one, involves the potential risk of injury. You accept and assume full responsibility for any and all injuries, damages (both economic and non-economic), and losses of any type, which may occur, and you fully and forever release and discharge Titan, its insurers, employees, officers, directors, associates, and agents from any and all claims, demands, damages, rights of action, or causes of action, present or future, whether the same be known or unknown, anticipated, or unanticipated, resulting from or arising out of the use of said equipment.

TITAN MAKES NO WARRANTY WHATSOEVER WITH RESPECT TO THE EQUIPMENT, INCLUDING ANY WARRANTY OF MERCHANTABILITY OR WARRANTY OF FITNESS FOR A PARTICULAR PURPOSE, WHETHER EXPRESS OR IMPLIED BY LAW, COURSE OF DEALING, COURSE OF PERFORMANCE, USAGE OF TRADE OR OTHERWISE. BUYER ASSUMES ALL LIABILITY IN USE OF THE EQUIPMENT.

NEED HELP?

CONTACT US FIRST.

1 (800) 605-8241

info@titandistributorsinc.com / www.titangreatoutdoors.com

Business Hours: Monday–Friday • 8:00 a.m.–5:00 p.m. (CT)

