

TITAN

GREAT OUTDOORS



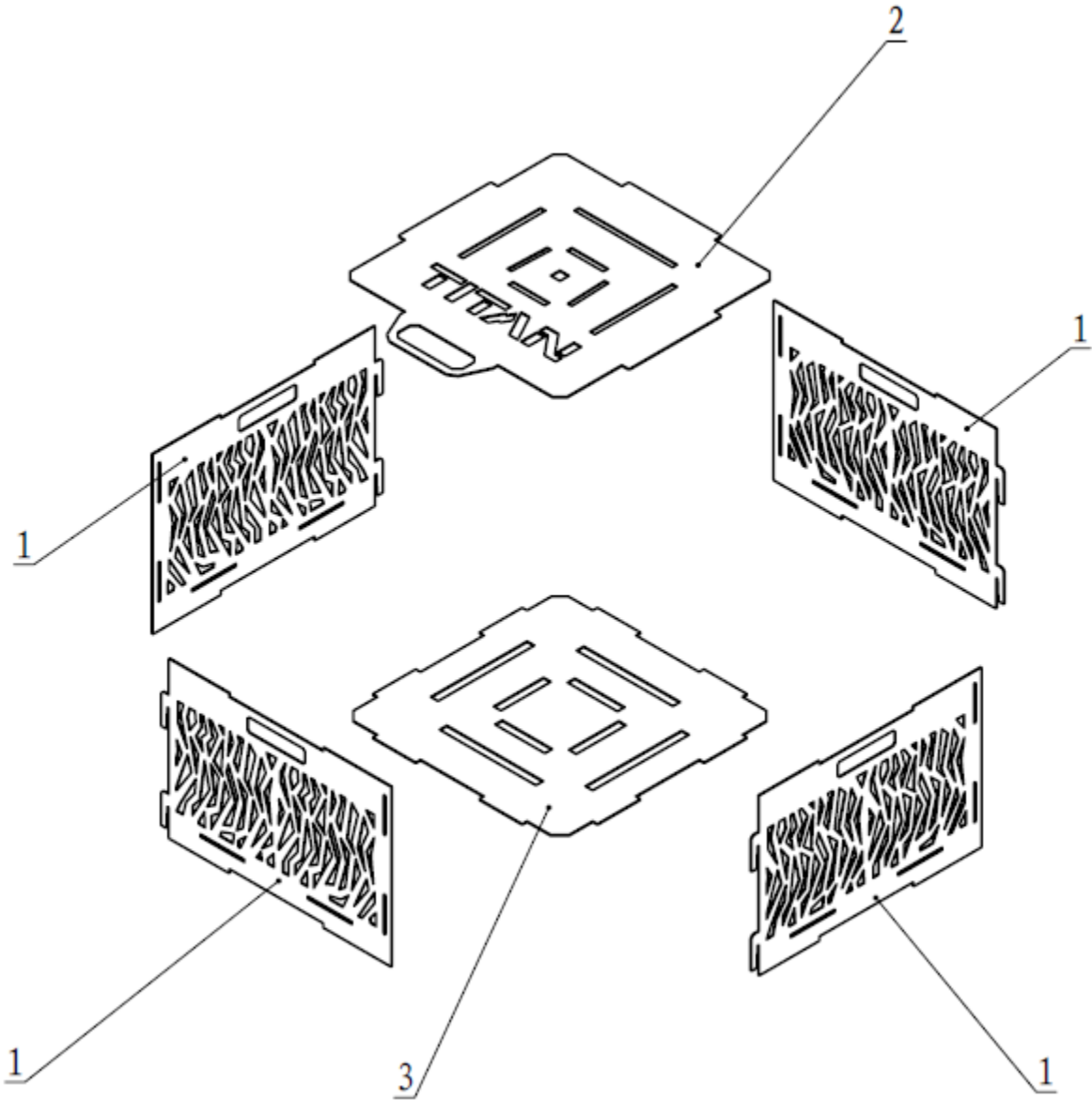
OWNER'S MANUAL

MPN(s): 16BRNBX

SKU(s): 899259

UPC(s): 840009216060

PARTS DIAGRAM / EXPLODED VIEW



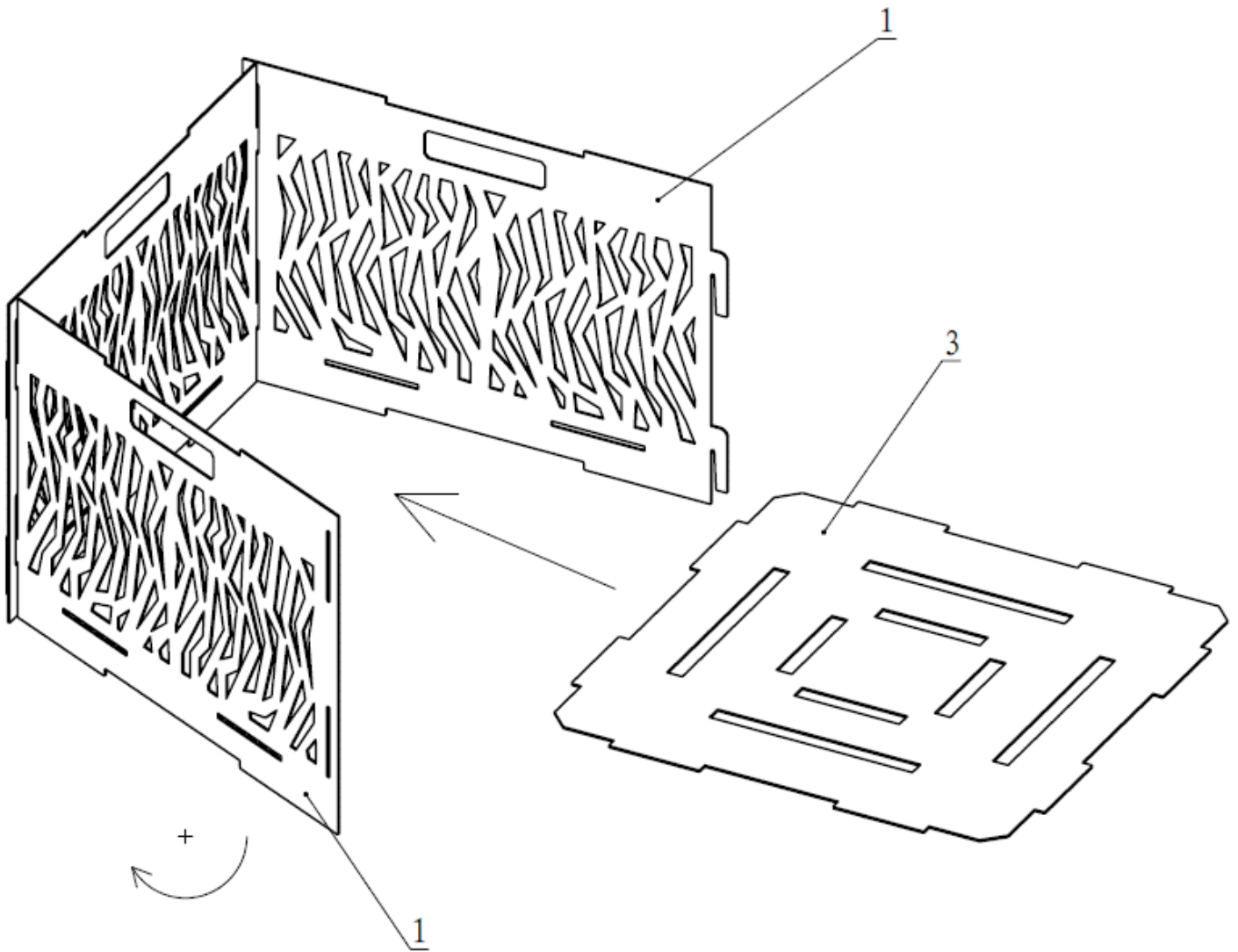
KEY	BOX	DESCRIPTION	QTY
(1)	1	16" Lateral Plate	4
(2)	1	Top Plate	1
(3)	1	Bottom Plate	1



ASSEMBLY INSTRUCTIONS

STEP 1

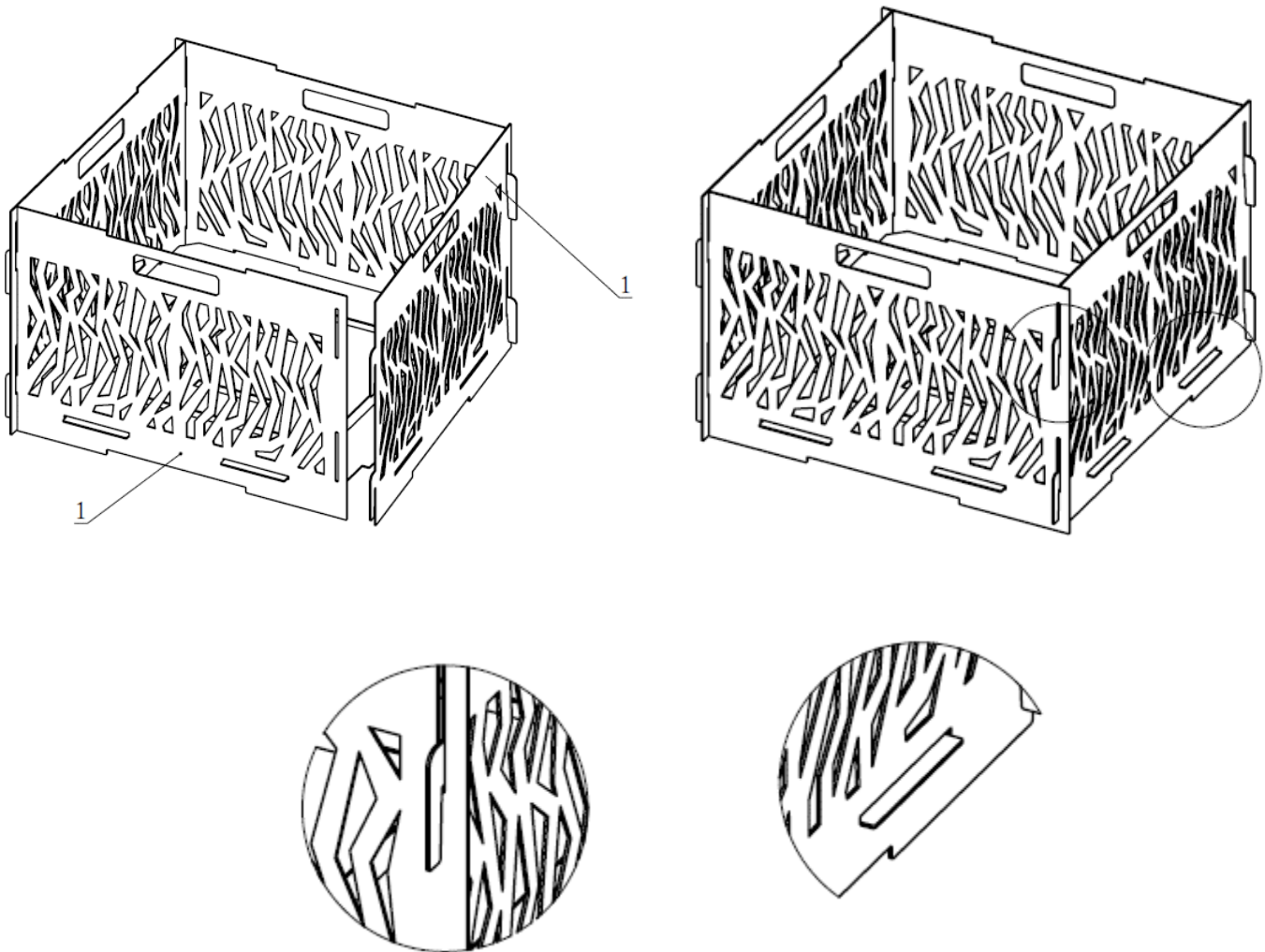
Connect the three Lateral Plates (1) end to end. Open the Lateral Plate (1) on both sides outwards. Insert the Bottom Plate (3) into the slot on the Lateral Plate (1).



ASSEMBLY INSTRUCTIONS

STEP 2

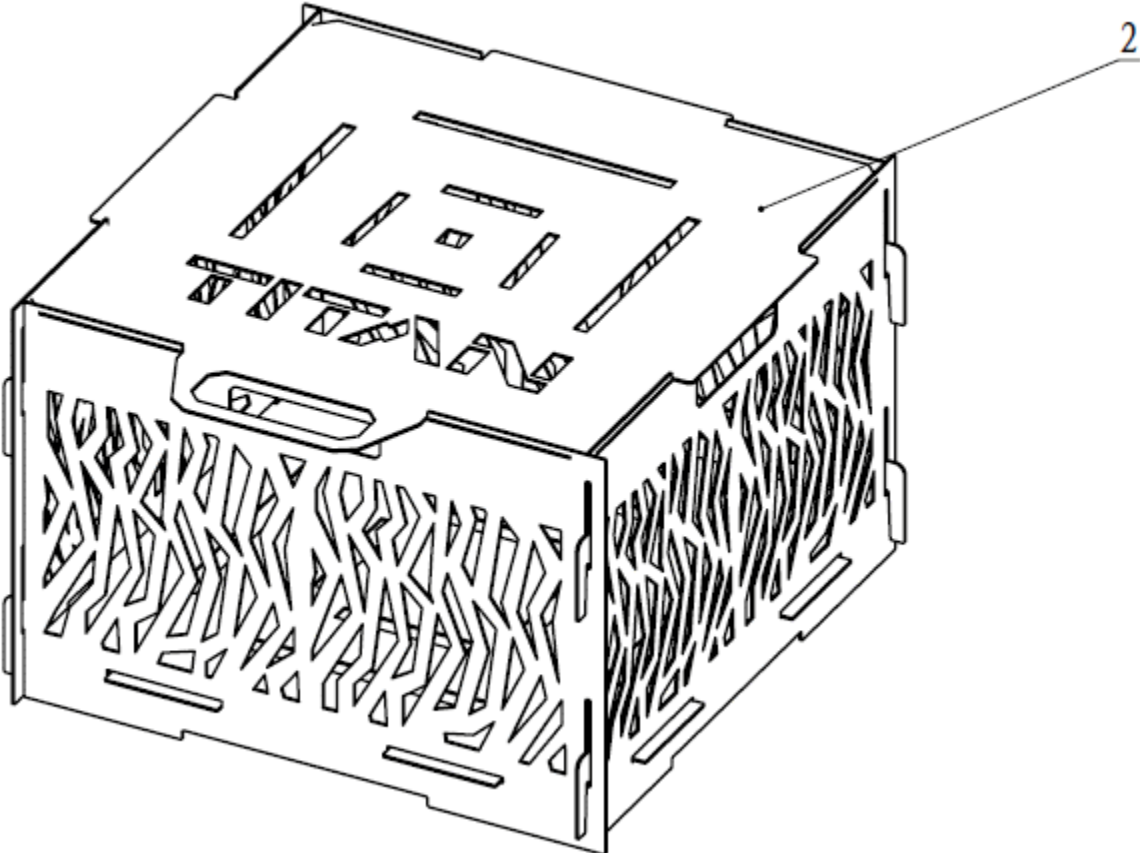
1. Insert the last Lateral Plate (1) into the slot on both side of Lateral Plate (1). And ensure that the bottom plate (3) is not inserted into the bottom slot of the last lateral plate (1).
2. Then forcefully lift the last Lateral plate (1) and make it hook into the adjacent slot.
3. Press bottom plate (3) into the groove under the Lateral plate (1).



ASSEMBLY INSTRUCTIONS

STEP 3

Cover the Top Plate (3).





*This concludes the 16BRNBX Owner's Manual.
If applicable to your product, make sure to tighten
all nut-and-bolt combinations before use.*

Enjoy!

DISCLAIMER

This equipment must be used with care by capable and competent individuals under supervision, if necessary.

The use of any equipment, including this one, involves the potential risk of injury. You accept and assume full responsibility for any and all injuries, damages (both economic and non-economic), and losses of any type, which may occur, and you fully and forever release and discharge Titan, its insurers, employees, officers, directors, associates, and agents from any and all claims, demands, damages, rights of action, or causes of action, present or future, whether the same be known or unknown, anticipated, or unanticipated, resulting from or arising out of the use of said equipment.

TITAN MAKES NO WARRANTY WHATSOEVER WITH RESPECT TO THE EQUIPMENT, INCLUDING ANY WARRANTY OF MERCHANTABILITY OR WARRANTY OF FITNESS FOR A PARTICULAR PURPOSE, WHETHER EXPRESS OR IMPLIED BY LAW, COURSE OF DEALING, COURSE OF PERFORMANCE, USAGE OF TRADE OR OTHERWISE. BUYER ASSUMES ALL LIABILITY IN USE OF THE EQUIPMENT.

NEED HELP?

CONTACT US FIRST.

1 (800) 605-8241

info@titandistributorsinc.com / www.titangreatoutdoors.com

Business Hours: Monday–Friday • 8:00 a.m.–5:00 p.m. (CT)

