

TITAN

GREAT OUTDOORS



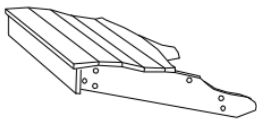
OWNER'S MANUAL

MPN(s): ADPOLYCHAIR_PG, ADPOLYCHAIR_WW

SKU(s): 899261, 899260

UPC(s): 840009216497, 840009216480

PARTS DIAGRAM / EXPLODED VIEW



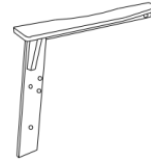
A (1)



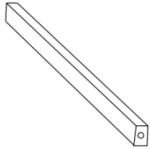
B (1)



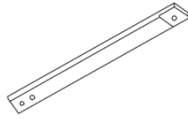
C (1)



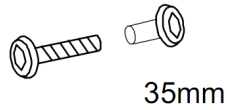
D (1)



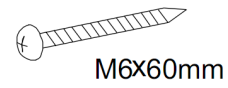
E (1)



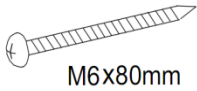
F (2)



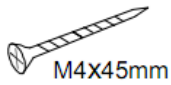
G (10)



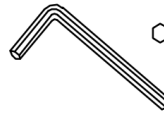
H (2)



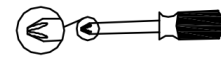
I (2)



J (2)



K (2)



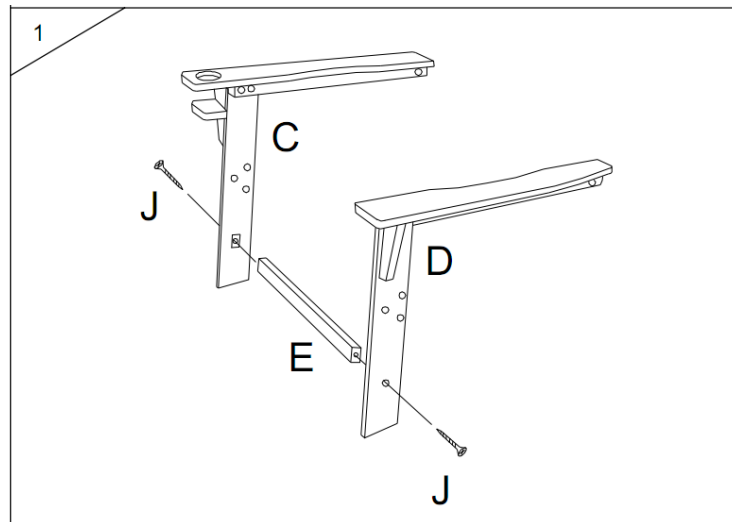
TOOL NEEDED (NOT INCLUDED)

COUNT	KEY	DESCRIPTION	QTY
(1)	A	Seat	1
(2)	B	Backrest	1
(3)	C	Right Arm	1
(4)	D	Left Arm	1
(5)	E	Front Cross Brace	1
(6)	F	Side Support Bar	2
(7)	G	35mm Furniture Bolt Set	10
(8)	H	M6x60mm Screw	2
(9)	I	M6x80mm Screw	2
(10)	J	M4x45mm Screw	2
(11)	K	25 x 70mm Hex Key	2



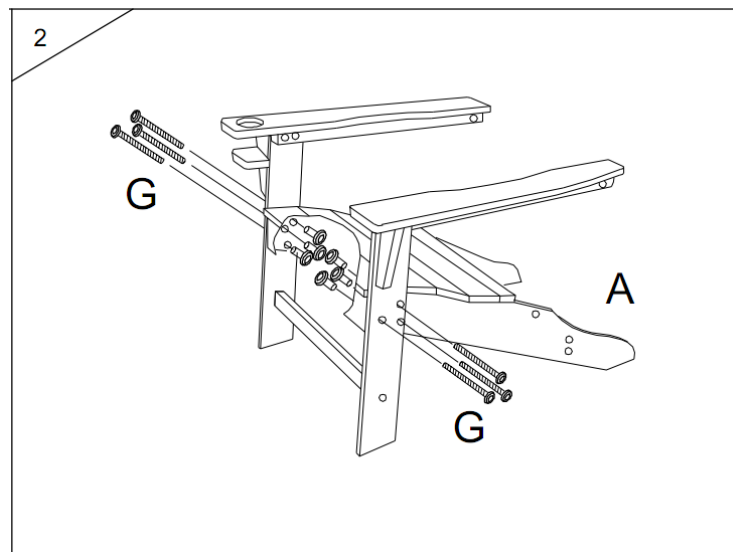
ASSEMBLY INSTRUCTIONS

STEP 1. ARM ASSEMBLY



1. Attach front cross brace (E) to right arm (C) and left arm (D) with two 4x40mm Screws (J).

STEP 2. SEAT ASSEMBLY

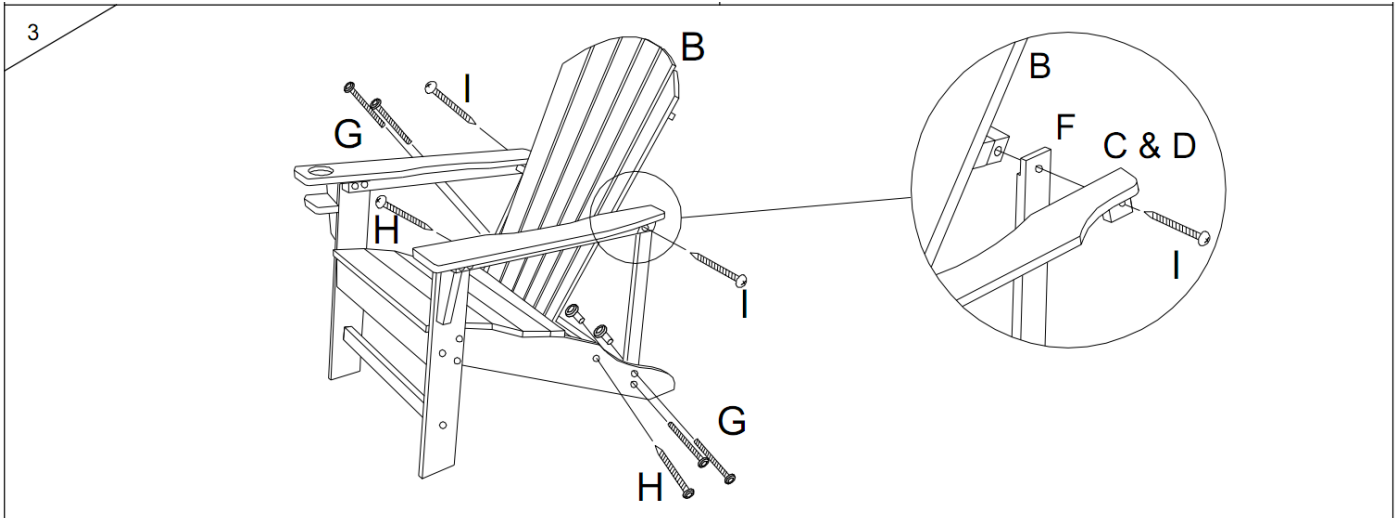


1. Assemble the seat (A) to right arm (D) and left arm (C) with **35mm Furniture Bolt Set (G)**.



ASSEMBLY INSTRUCTIONS

STEP 3. BACK ASSEMBLY



1. Slide Backrest (B) between two arms, put side support bars (F) between arms and backrest, then insert two **M6x80mm Screws** (I) into pre-drilled holes to secure.
2. Insert two **M6x60mm Screws** (H) into pre-drilled holes in seat and backrest, and tighten
3. Align up holes in seat and side support bars, insert **35mm Furniture Bolt Set** (G) and tighten with hex keys (K).





*This concludes the **ADPOLYCHAIR** Owner's Manual.*

*If applicable to your product, make sure to tighten
all nut-and-bolt combinations before use.*

Enjoy!

DISCLAIMER

This equipment must be used with care by capable and competent individuals under supervision, if necessary.

The use of any equipment, including this one, involves the potential risk of injury. You accept and assume full responsibility for any and all injuries, damages (both economic and non-economic), and losses of any type, which may occur, and you fully and forever release and discharge Titan, its insurers, employees, officers, directors, associates, and agents from any and all claims, demands, damages, rights of action, or causes of action, present or future, whether the same be known or unknown, anticipated, or unanticipated, resulting from or arising out of the use of said equipment.

TITAN MAKES NO WARRANTY WHATSOEVER WITH RESPECT TO THE EQUIPMENT, INCLUDING ANY WARRANTY OF MERCHANTABILITY OR WARRANTY OF FITNESS FOR A PARTICULAR PURPOSE, WHETHER EXPRESS OR IMPLIED BY LAW, COURSE OF DEALING, COURSE OF PERFORMANCE, USAGE OF TRADE OR OTHERWISE. BUYER ASSUMES ALL LIABILITY IN USE OF THE EQUIPMENT.

NEED HELP?

CONTACT US FIRST.

1(800)605-8241

info@titandistributorsinc.com/www.titangreatoutdoors.com

Business Hours: Monday–Friday • 8:00 a.m.–5:00 p.m. (CT)

