

TITAN

GREAT OUTDOORS



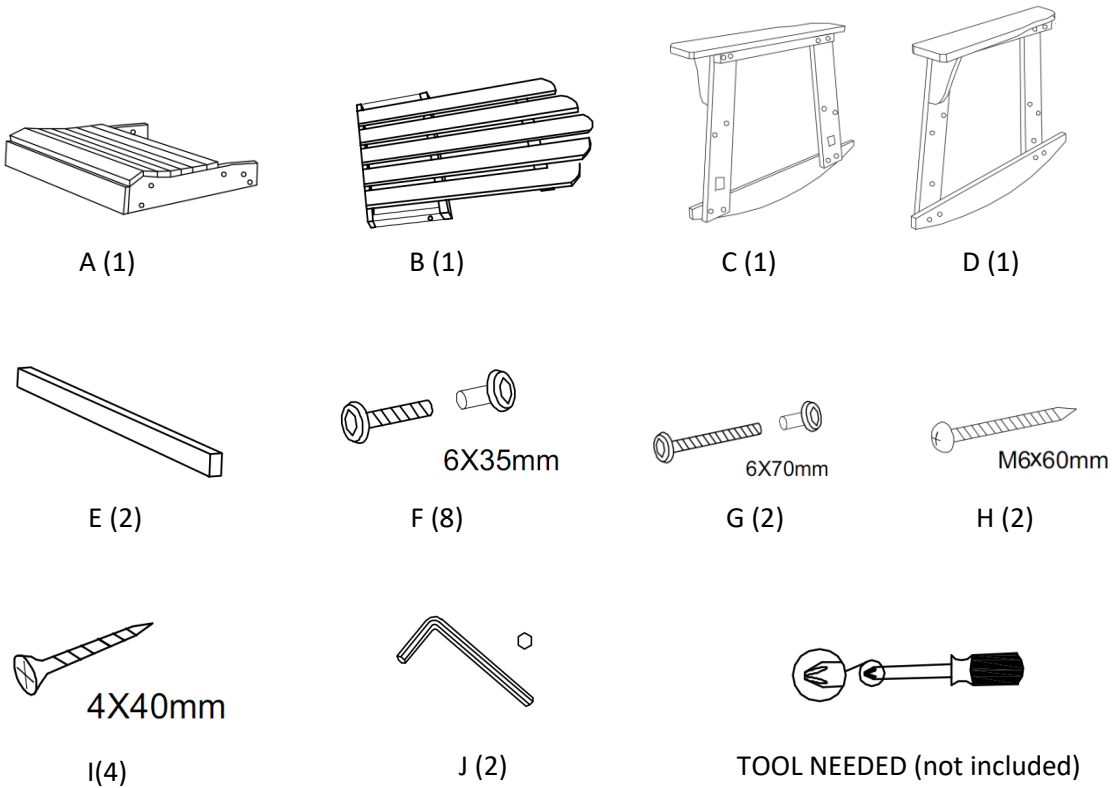
OWNER'S MANUAL

MPN(s): ADPOLYRCKR_PG, ADPOLYRCKR_WW

SKU(s): 899265, 899264

UPC(s): 840009216534, 840009216527

PARTS DIAGRAM / EXPLODED VIEW

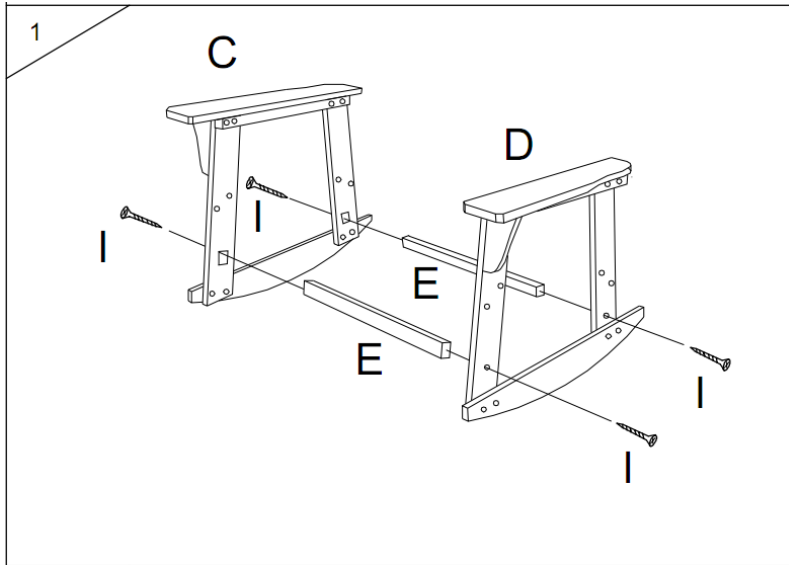


COUNT	KEY	DESCRIPTION	QTY
(1)	A	Seat	1
(2)	B	Backrest	1
(3)	C	Left Arm	1
(4)	D	Right Arm	1
(5)	E	Cross Brace	2
(6)	F	6x35mm Furniture Bolt Set	8
(7)	G	6x70mm Furniture Bolt Set	2
(8)	H	M6x60mm Screw	2
(9)	I	4x40mm Screw	4
(10)	J	25x70mm Hex Key	2



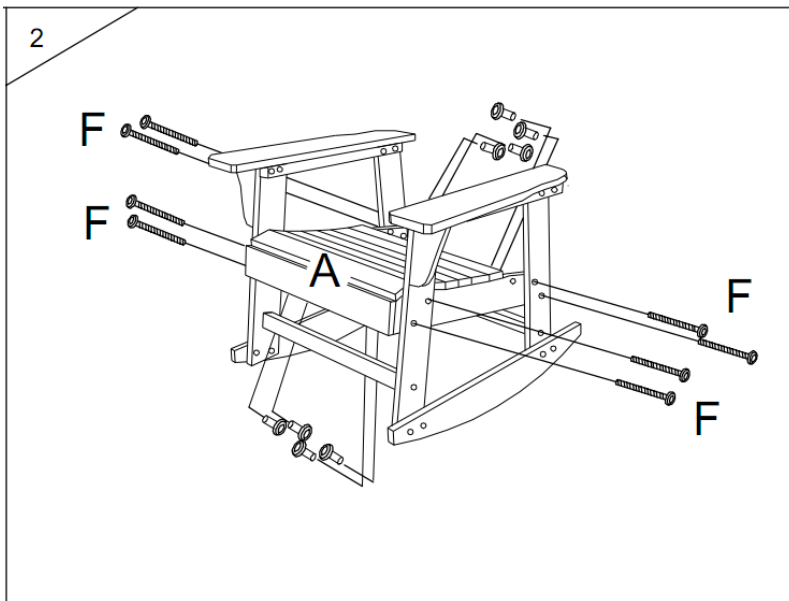
ASSEMBLY INSTRUCTIONS

ARM ASSEMBLY



1. Attach Left Arm (C) to two Cross Braces (E) with two 4x40mm Screws (I)
2. Attach Right Arm (D) to two Cross Braces (E) with two 4x40mm Screws (I)

SEAT ASSEMBLY



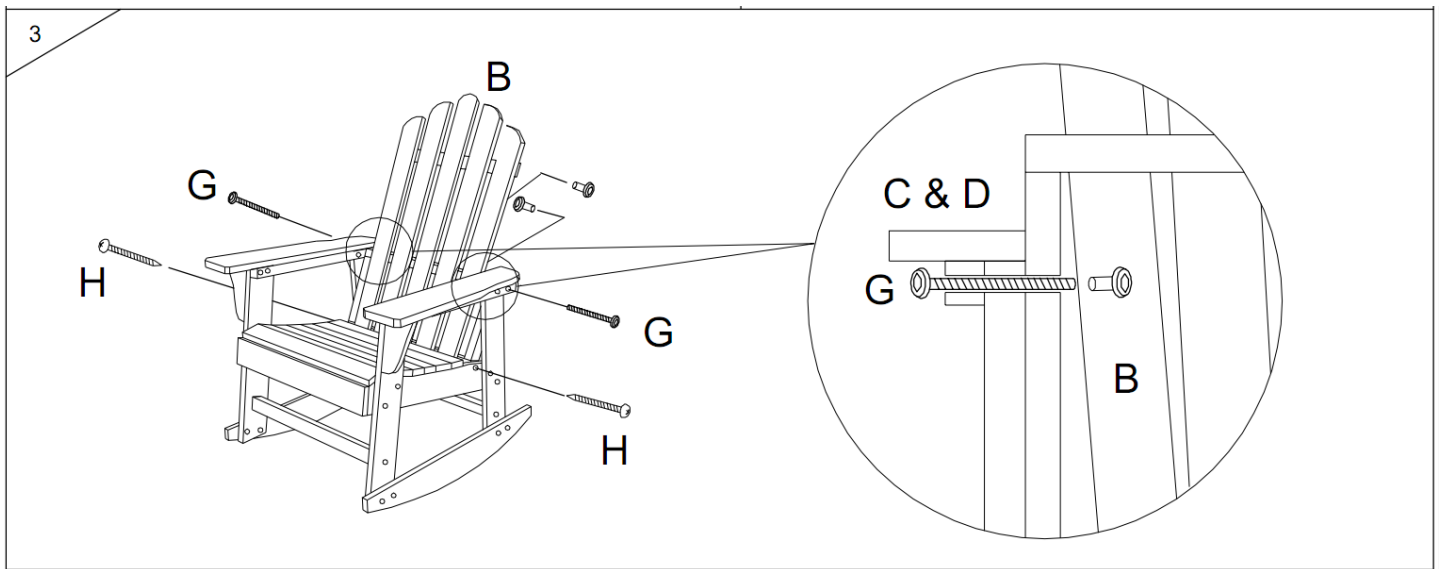
3. Slide Seat (A) between Left Arm (C) and Right Arm (D).



ASSEMBLY INSTRUCTIONS

4. From outside, insert long half of Furniture Bolt Set (F) into predrilled holes.
5. From inside fasten short half of Furniture Bolt Set (F) to large half with two pieces Hex Keys (J).

BACK ASSEMBLY



6. Slide Backrest (B) between arms and insert long half of Furniture Bolt Set (G) into predrilled holes in Arms and Backrest.
7. Insert two Screws (H) into predrilled holes of arms and into Backrest, and tighten
8. Take short half of short half of Furniture Bolt Set (F) and fasten to long half using two pieces Hex Keys (J).





This concludes the ADPOLYRCKR Owner's Manual.

If applicable to your product, make sure to tighten all nut-and-bolt combinations before use.

Enjoy!

DISCLAIMER

This equipment must be used with care by capable and competent individuals under supervision, if necessary.

The use of any equipment, including this one, involves the potential risk of injury. You accept and assume full responsibility for any and all injuries, damages (both economic and non-economic), and losses of any type, which may occur, and you fully and forever release and discharge Titan, its insurers, employees, officers, directors, associates, and agents from any and all claims, demands, damages, rights of action, or causes of action, present or future, whether the same be known or unknown, anticipated, or unanticipated, resulting from or arising out of the use of said equipment.

TITAN MAKES NO WARRANTY WHATSOEVER WITH RESPECT TO THE EQUIPMENT, INCLUDING ANY WARRANTY OF MERCHANTABILITY OR WARRANTY OF FITNESS FOR A PARTICULAR PURPOSE, WHETHER EXPRESS OR IMPLIED BY LAW, COURSE OF DEALING, COURSE OF PERFORMANCE, USAGE OF TRADE OR OTHERWISE. BUYER ASSUMES ALL LIABILITY IN USE OF THE EQUIPMENT.

NEED HELP?

CONTACT US FIRST.

1(800)605-8241

info@titandistributorsinc.com/www.titangreatoutdoors.com

Business Hours: Monday–Friday • 8:00 a.m.–5:00 p.m. (CT)

