

TITAN

GREAT OUTDOORS



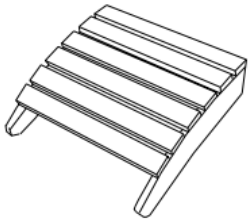
OWNER'S MANUAL

MPN(s): ADPOLYOTTMN_PG / ADPOLYOTTMN_WW

SKU(s): 899267/ 899266

UPC(s): 840009216558, 840009216541

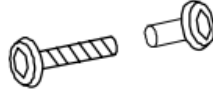
PARTS DIAGRAM / EXPLODED VIEW



A (1)

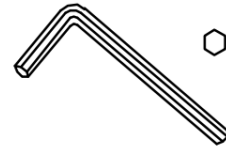


B (2)



6X35mm

C (4)

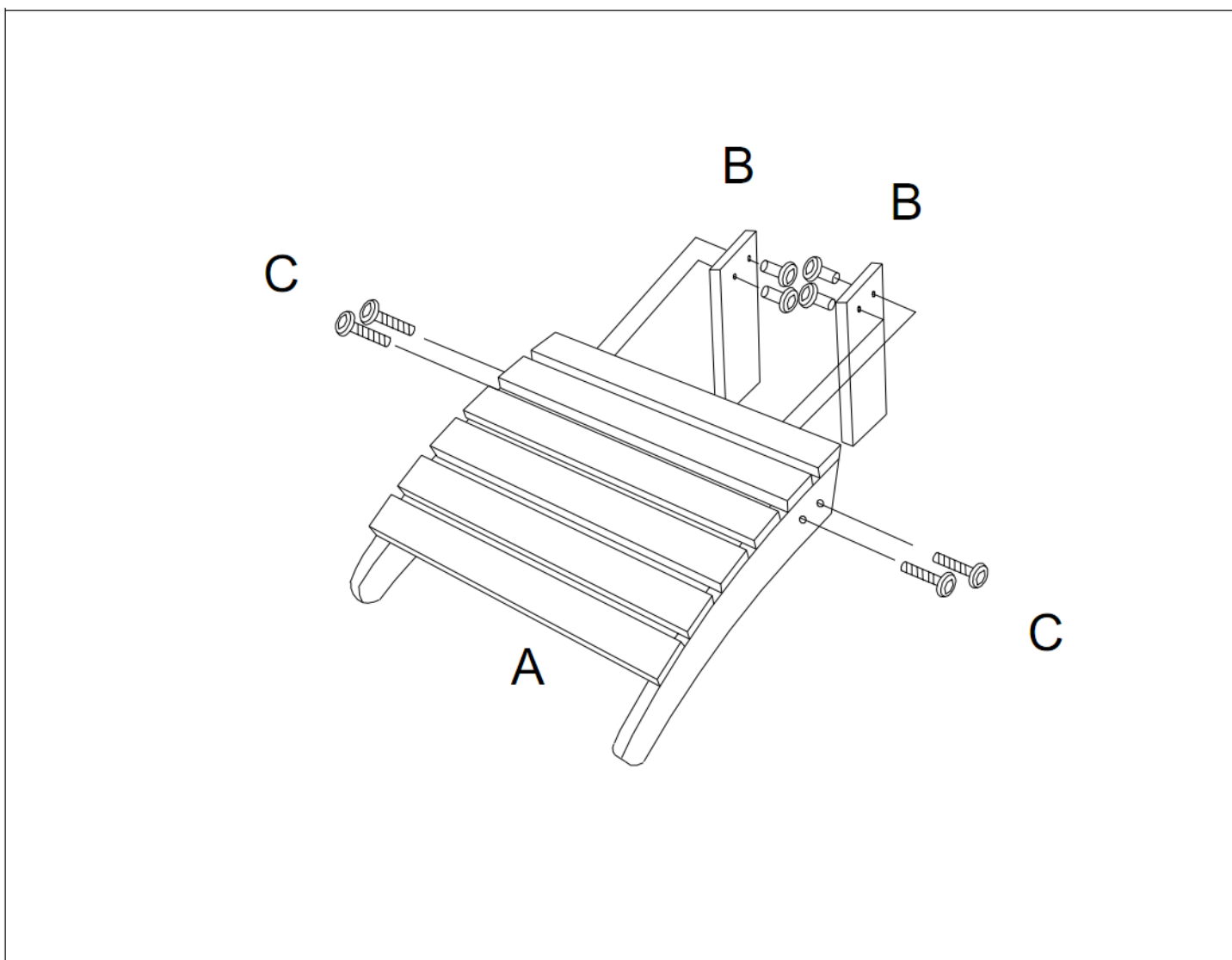


D (2)

COUNT	KEY	DESCRIPTION	QTY
(1)	A	Ottoman	1
(2)	B	Leg	2
(3)	C	6x35mm Furniture Bolt Set	4
(4)	D	25x70mm Hex Key	2



ASSEMBLY INSTRUCTIONS



1. Insert **6x35mm Furniture Bolt Set (C)** into pre-drilled holes in Legs (B) and ottoman (A).
2. Fasten bolts with two hex keys (D).



*This concludes the **ADPOLYOTTMN** Owner's Manual.*

*If applicable to your product, make sure to tighten
all nut-and-bolt combinations before use.*

Enjoy!

DISCLAIMER

This equipment must be used with care by capable and competent individuals under supervision, if necessary.

The use of any equipment, including this one, involves the potential risk of injury. You accept and assume full responsibility for any and all injuries, damages (both economic and non-economic), and losses of any type, which may occur, and you fully and forever release and discharge Titan, its insurers, employees, officers, directors, associates, and agents from any and all claims, demands, damages, rights of action, or causes of action, present or future, whether the same be known or unknown, anticipated, or unanticipated, resulting from or arising out of the use of said equipment.

TITAN MAKES NO WARRANTY WHATSOEVER WITH RESPECT TO THE EQUIPMENT, INCLUDING ANY WARRANTY OF MERCHANTABILITY OR WARRANTY OF FITNESS FOR A PARTICULAR PURPOSE, WHETHER EXPRESS OR IMPLIED BY LAW, COURSE OF DEALING, COURSE OF PERFORMANCE, USAGE OF TRADE OR OTHERWISE. BUYER ASSUMES ALL LIABILITY IN USE OF THE EQUIPMENT.

NEED HELP?

CONTACT US FIRST.

1(800)605-8241

info@titandistributorsinc.com/www.titangreatoutdoors.com

Business Hours: Monday–Friday • 8:00 a.m.–5:00 p.m. (CT)

