

TITAN

GREAT OUTDOORS



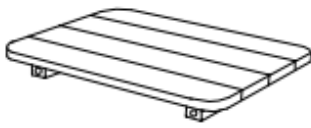
OWNER'S MANUAL

MPN(s): POLYSDTBL_PG, POLYSDTBL_WW

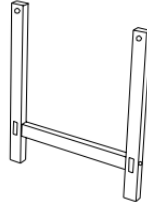
SKU(s): 899269, 899268

UPC(s): 840009216572, 840009216565

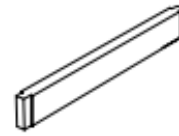
PARTS DIAGRAM / EXPLODED VIEW



A (1)



B (2)



C (2)



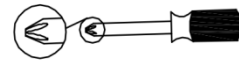
M6X60mm

D (4)



M4X45mm

E (4)



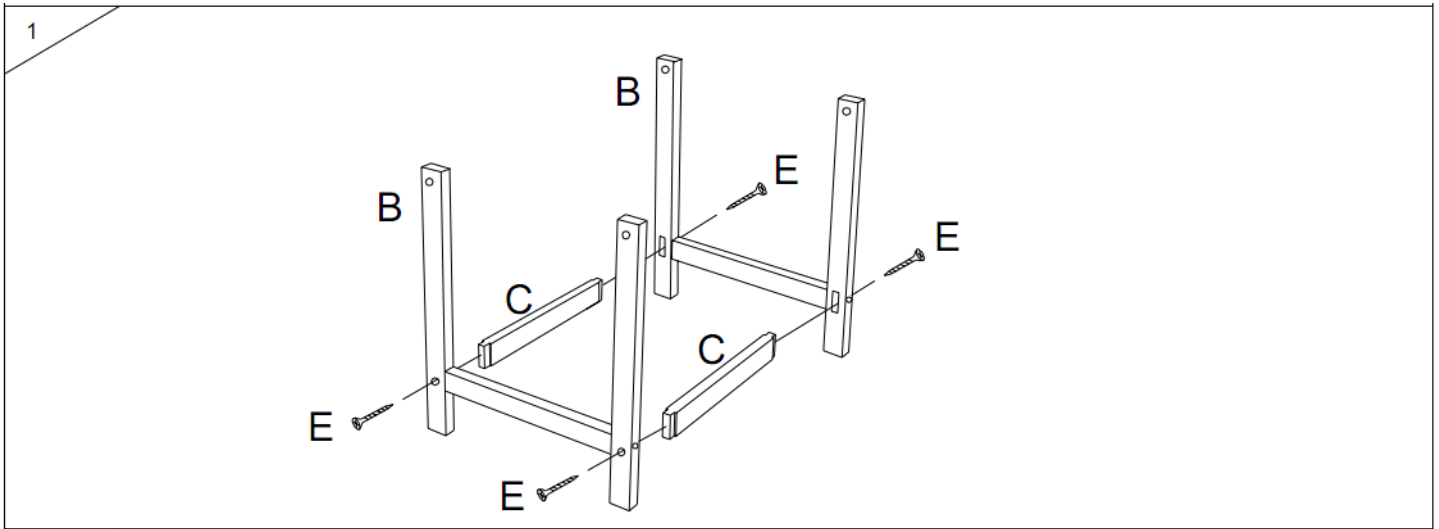
TOOL NEEDED (not included)

COUNT	KEY	DESCRIPTION	QTY
(1)	A	Tabletop	1
(2)	B	Table Leg	2
(3)	C	Short Cross Brace	2
(4)	D	M6 x 60mm Screw	4
(5)	E	M4 x 45mm Screw	4



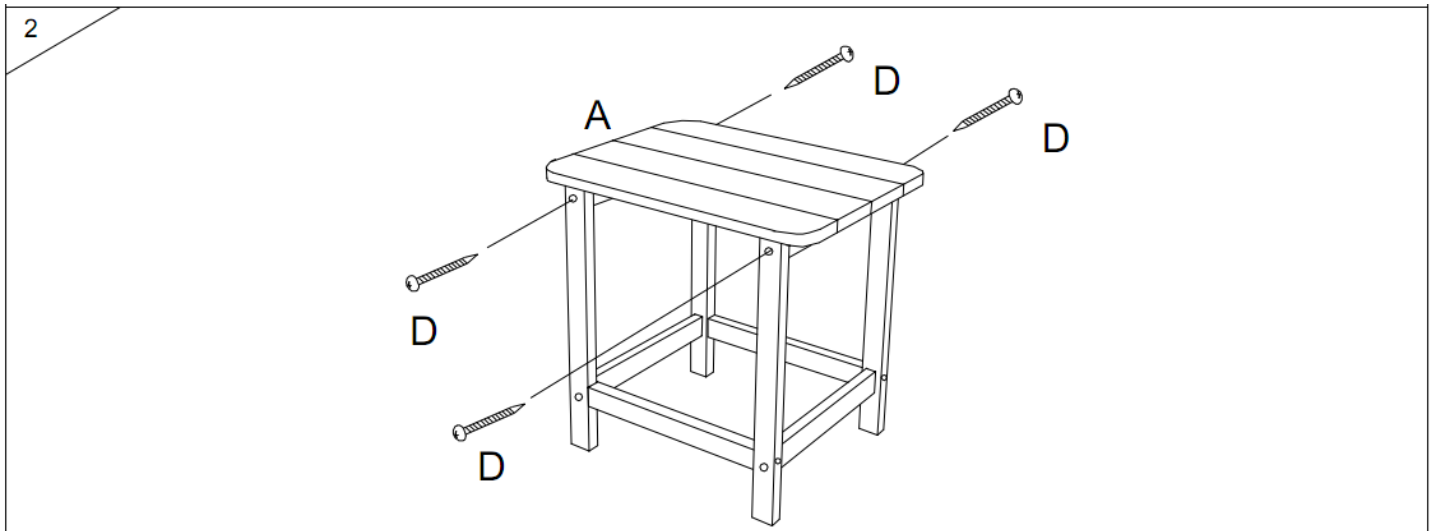
ASSEMBLY INSTRUCTIONS

STEP 1. LEG ASSEMBLY



Attach two cross braces (C) to table legs (B) with four 4x45mm Screws (E)

STEP 2. TABLE TOP ASSEMBLY



Insert four 6x60mm screws (D) into pre-drilled holes in table top (A) and table legs and tighten.





This concludes the **POLYSDTBL PG / POLYSDTBL WW**
Owner's Manual.

*If applicable to your product, make sure to tighten
all nut-and-bolt combinations before use.*

Enjoy!

DISCLAIMER

This equipment must be used with care by capable and competent individuals under supervision, if necessary.

The use of any equipment, including this one, involves the potential risk of injury. You accept and assume full responsibility for any and all injuries, damages (both economic and non-economic), and losses of any type, which may occur, and you fully and forever release and discharge Titan, its insurers, employees, officers, directors, associates, and agents from any and all claims, demands, damages, rights of action, or causes of action, present or future, whether the same be known or unknown, anticipated, or unanticipated, resulting from or arising out of the use of said equipment.

TITAN MAKES NO WARRANTY WHATSOEVER WITH RESPECT TO THE EQUIPMENT, INCLUDING ANY WARRANTY OF MERCHANTABILITY OR WARRANTY OF FITNESS FOR A PARTICULAR PURPOSE, WHETHER EXPRESS OR IMPLIED BY LAW, COURSE OF DEALING, COURSE OF PERFORMANCE, USAGE OF TRADE OR OTHERWISE. BUYER ASSUMES ALL LIABILITY IN USE OF THE EQUIPMENT.

NEED HELP?

CONTACT US FIRST.

1(800)605-8241

info@titandistributorsinc.com/www.titangreatoutdoors.com

Business Hours: Monday–Friday • 8:00 a.m.–5:00 p.m. (CT)

