

TITAN

GREAT OUTDOORS



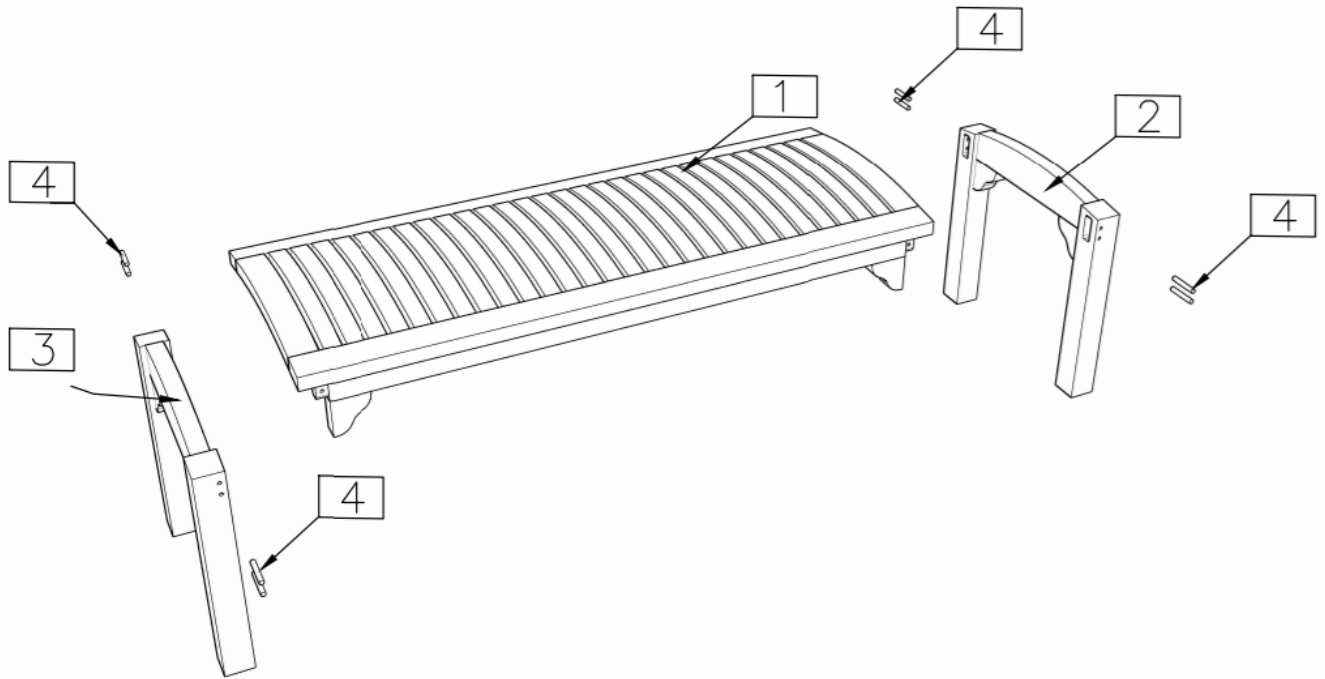
OWNER'S MANUAL

MPN(s): MARBNCH47

SKU(s): 899275

UPC(s): 840009217852

PARTS DIAGRAM / EXPLODED VIEW



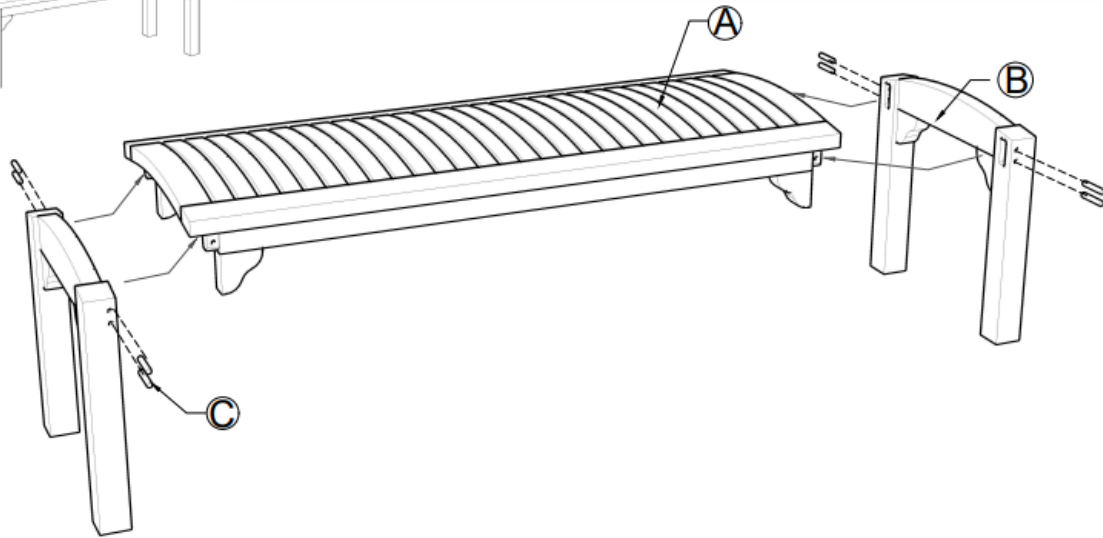
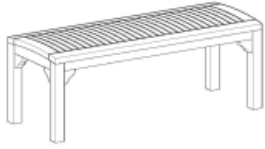
KEY	BOX	DESCRIPTION	QTY
(1)	1	Top	1
(2)	1	Side L	1
(3)	1	Side R	1
(4)	1	Dowel	8






ASSEMBLY INSTRUCTIONS

ASSEMBLY INSTRUCTIONS

Marley Backless Bench 120



A  1 Pc
B  2 Pcs
C  (WOODEN DOWEL) 8 Pcs



*This concludes the MARBNCH47 Owner's Manual.
If applicable to your product, make sure to tighten
all nut-and-bolt combinations before use.*

Enjoy!

TITAN LIMITED WARRANTY: TERMS, EXCLUSIONS AND LIMITATION OF REMEDIES

This product comes with a one (1) year limited warranty that can be found at titangreatoutdoors.com/warranty.html. Please review the same for all details regarding the Titan Limited Warranty.

THE TITAN LIMITED WARRANTY FOUND AT TITANGREATOUTDOORS.COM/WARRANTY.HTML IS EXCLUSIVE AND IS IN LIEU OF ALL OTHER WARRANTIES, EXPRESS OR IMPLIED, INCLUDING ANY IMPLIED WARRANTY OF MERCHANTABILITY AND/OR FITNESS FOR A PARTICULAR PURPOSE, EACH OF WHICH IS HEREBY DISCLAIMED.

Acknowledgement of Risk and Release of Liability

The use of any equipment, including this one, involves the potential risk of injury. Apart from any warranty claim that might be presented for a claimed defect in material or workmanship of the product, you accept and assume full responsibility for any and all injuries, damages (both economic and non-economic), and losses of any type, which may occur, and you fully and forever release and discharge Titan, its insurers, employees, officers, directors, associates, and agents from any and all claims, demands, damages, rights of action, or causes of action, present or future, whether the same be known or unknown, anticipated, or unanticipated, resulting from or arising out of the use of said equipment.

This equipment must be used with care by capable and competent individuals under supervision, if necessary.

NEED HELP?

CONTACT US FIRST.

1 (800) 605-8241

info@titandistributorsinc.com / www.titangreatoutdoors.com

Business Hours: Monday–Friday • 8:00 a.m.–5:00 p.m. (CT)

