

# TITAN

## GREAT OUTDOORS



### OWNER'S MANUAL

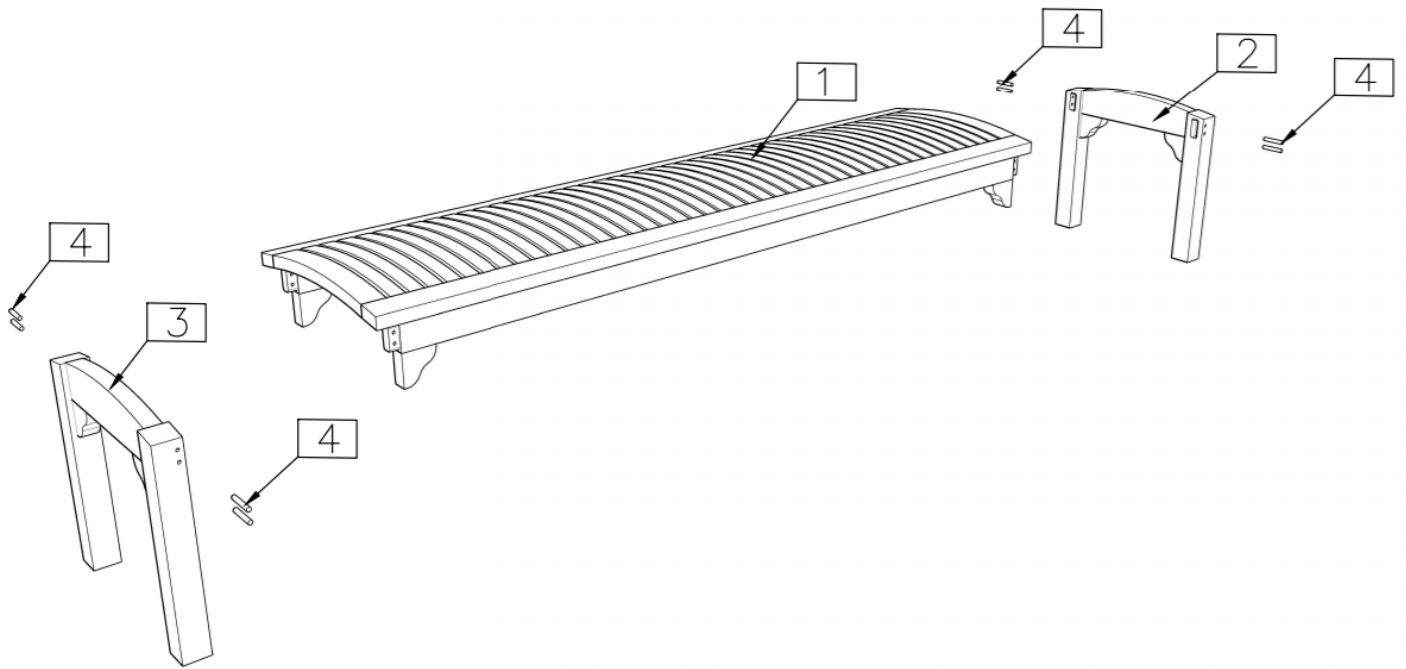
---

**MPN(s): MARBNCH71**

**SKU(s): 899276**

**UPC(s): 840009217869**

# PARTS DIAGRAM / EXPLODED VIEW

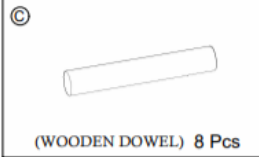
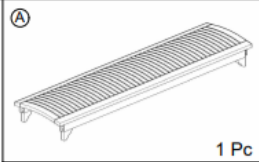
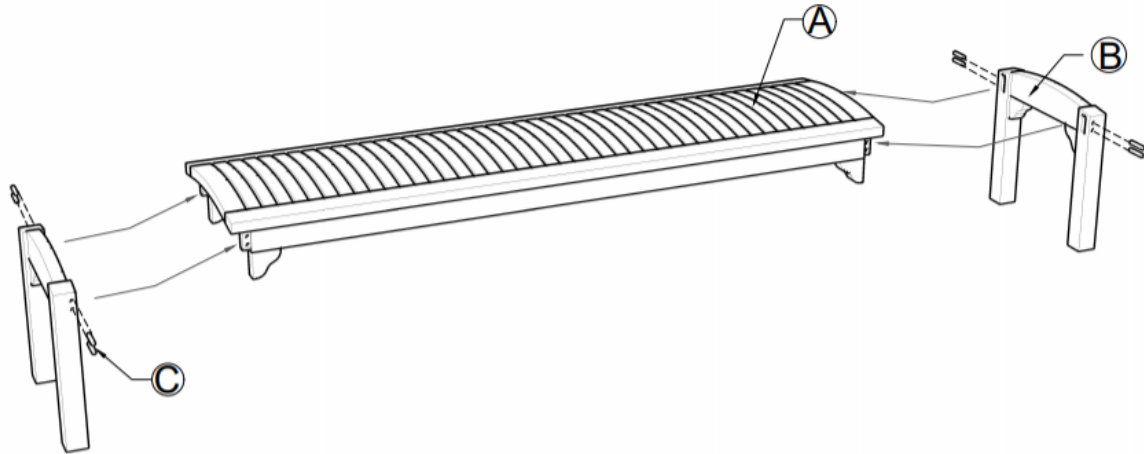
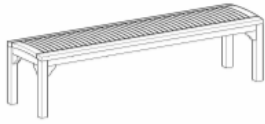


KEY	BOX	DESCRIPTION	QTY
(1)	1	TOP	1
(2)	1	SIDE L	1
(3)	1	SIDE R	1
(4)	1	DOWEL	8



# ASSEMBLY INSTRUCTIONS

## ASSEMBLY INSTRUCTIONS Marley Backless Bench 180



*This concludes the MARBNCH71 Owner's Manual.  
If applicable to your product, make sure to tighten  
all nut-and-bolt combinations before use.*

*Enjoy!*

**TITAN LIMITED WARRANTY: TERMS, EXCLUSIONS AND LIMITATION OF REMEDIES**

This product comes with a one (1) year limited warranty that can be found at [titangreatoutdoors.com/warranty.html](http://titangreatoutdoors.com/warranty.html). Please review the same for all details regarding the Titan Limited Warranty.

**THE TITAN LIMITED WARRANTY FOUND AT [TITANGREATOUTDOORS.COM/WARRANTY.HTML](http://TITANGREATOUTDOORS.COM/WARRANTY.HTML) IS EXCLUSIVE AND IS IN LIEU OF ALL OTHER WARRANTIES, EXPRESS OR IMPLIED, INCLUDING ANY IMPLIED WARRANTY OF MERCHANTABILITY AND/OR FITNESS FOR A PARTICULAR PURPOSE, EACH OF WHICH IS HEREBY DISCLAIMED.**

**Acknowledgement of Risk and Release of Liability**

The use of any equipment, including this one, involves the potential risk of injury. Apart from any warranty claim that might be presented for a claimed defect in material or workmanship of the product, you accept and assume full responsibility for any and all injuries, damages (both economic and non-economic), and losses of any type, which may occur, and you fully and forever release and discharge Titan, its insurers, employees, officers, directors, associates, and agents from any and all claims, demands, damages, rights of action, or causes of action, present or future, whether the same be known or unknown, anticipated, or unanticipated, resulting from or arising out of the use of said equipment.

This equipment must be used with care by capable and competent individuals under supervision, if necessary.

NEED HELP?

CONTACT US FIRST.

**1 (800) 605-8241**

[info@titandistributorsinc.com](mailto:info@titandistributorsinc.com) / [www.titangreatoutdoors.com](http://www.titangreatoutdoors.com)

**Business Hours: Monday–Friday • 8:00 a.m.–5:00 p.m. (CT)**

