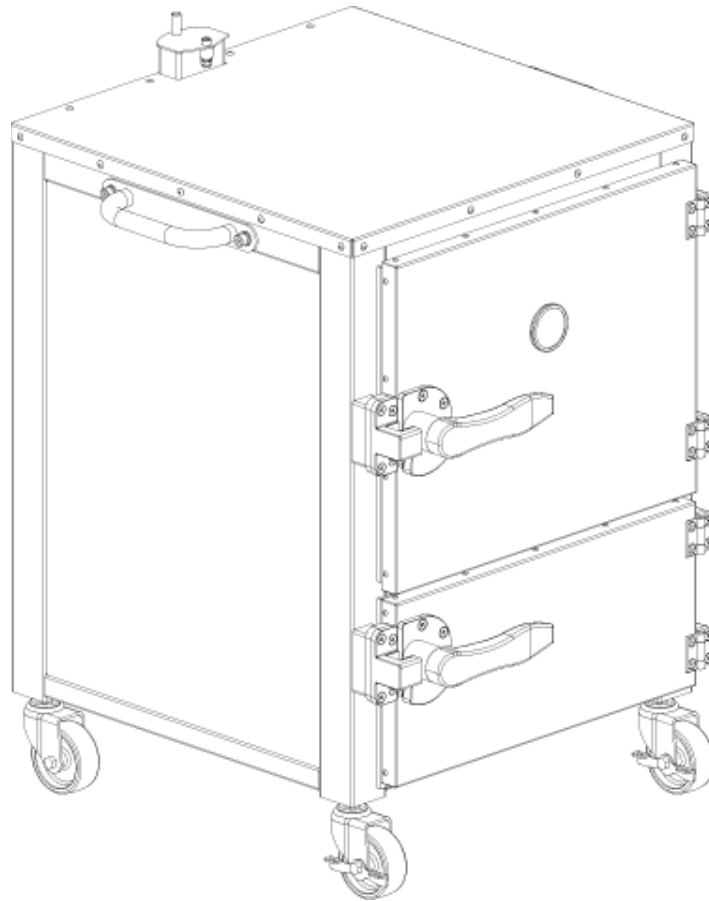


# TITAN

## GREAT OUTDOORS



### OWNER'S MANUAL

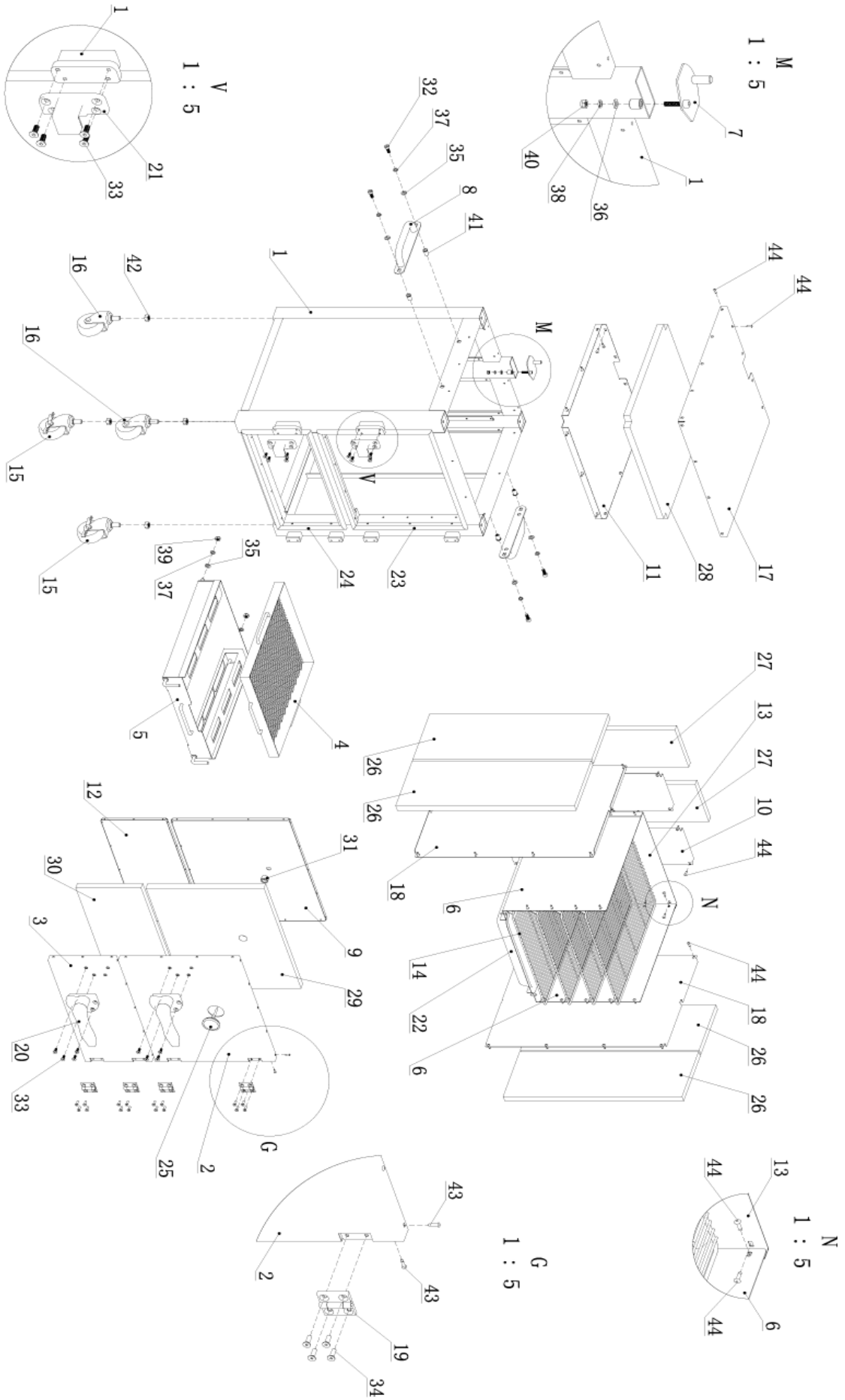
---

**MPN(s):** BOXSMOKER

**SKU(s):** 899719

**UPC(s):** 840009202681

# PARTS DIAGRAM / EXPLODED VIEW



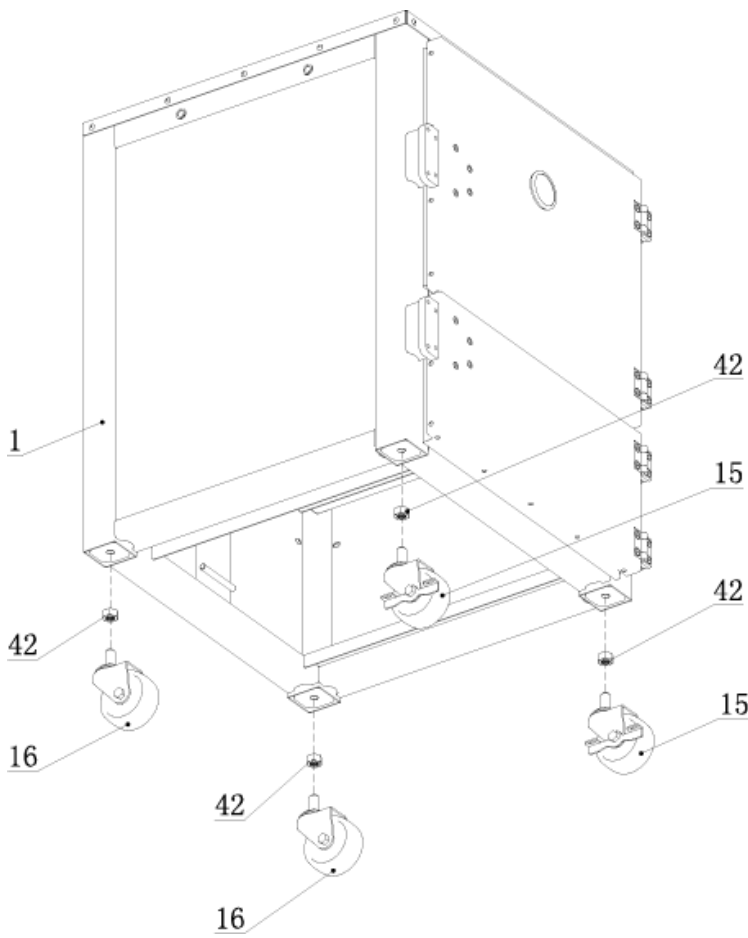
KEY	BOX	DESCRIPTION	QTY	KEY	BOX	DESCRIPTION	QTY
(1)	1	Main Frame	1	(23)	1	Upper Door Sealing Strip 400*325*10	1
(2)	1	Upper Door Frame	1	(24)	1	Lower Door Sealing Strip 400*190*10	1
(3)	1	Lower Door Frame	1	(25)	1	Probe Thermometer $\Phi 52 * \Phi 5 * M8 * 78$	1
(4)	1	Charcoal Ash Box	1	(26)	1	Side Thermal Insulation Cotton 570*210*20	4
(5)	1	Underframe	1	(27)	1	Rear Thermal Insulation Cotton 570*175*20	2
(6)	1	Gridiron Support Frame	2	(28)	1	Upper Thermal Insulation Cotton 480*480*20	1
(7)	1	Funnel Cover	1	(29)	1	Upper Door Thermal Insulation Cotton 460*380*20	1
(8)	1	Handle	2	(30)	1	Lower Door Thermal Insulation Cotton 460*210*20	1
(9)	1	Upper Door Baseplate 447*367*10*1	1	(31)	1	Sleeve $\Phi 21 * \Phi 13 * 13$	1
(10)	1	Inner Rear Baffle 555*165*15*1	2	(32)	1	Hexagon Socket Head Bolt M8*20	4
(11)	1	Cover Plate 458*458*20*1	1	(33)	1	Hexagon Socket Countersunk Head Screw M6*15	16
(12)	1	Lower Door Baseplate 447*204*10*1	1	(34)	1	Hexagon Socket Countersunk Head Screw M5*15	16
(13)	1	Gridiron Baffle 410*321.5*20*1.5	1	(35)	1	Flat Washer $\Phi 9 * \Phi 16 * 1.6$	6
(14)	1	Gridiron 455*400* $\Phi 5 * \Phi 3$	4	(36)	1	Flat Washer $\Phi 6.6 * \Phi 12 * 1.6$	1
(15)	1	Side Brake Wheel $\Phi 75 * 30$	2	(37)	1	Spring Washer $\Phi 8$	6
(16)	1	Wheel $\Phi 75 * 30$	2	(38)	1	Spring Washer $\Phi 6$	1
(17)	1	Upper Cover Plate 514*512*20*1.5	1	(39)	1	Nut M8	2
(18)	1	Inner Baffle 555*405*15*1	2	(40)	1	Nut M6	1
(19)	1	Hinge 40*40*4.8* $\Phi 5.4$	4	(41)	1	Nut M8	4
(20)	1	Lock Handle	2	(42)	1	Flat Nut 1/2"-13UNC	4
(21)	1	Lock Hook	2	(43)	1	Mushroom Head Break Mandrel Blind Rivets $\Phi 3 * 10$	34
(22)	1	Water Pond 440*340*40*0.8	1	(44)	1	Mushroom Head Break Mandrel Blind Rivets $\Phi 4 * 12$	89



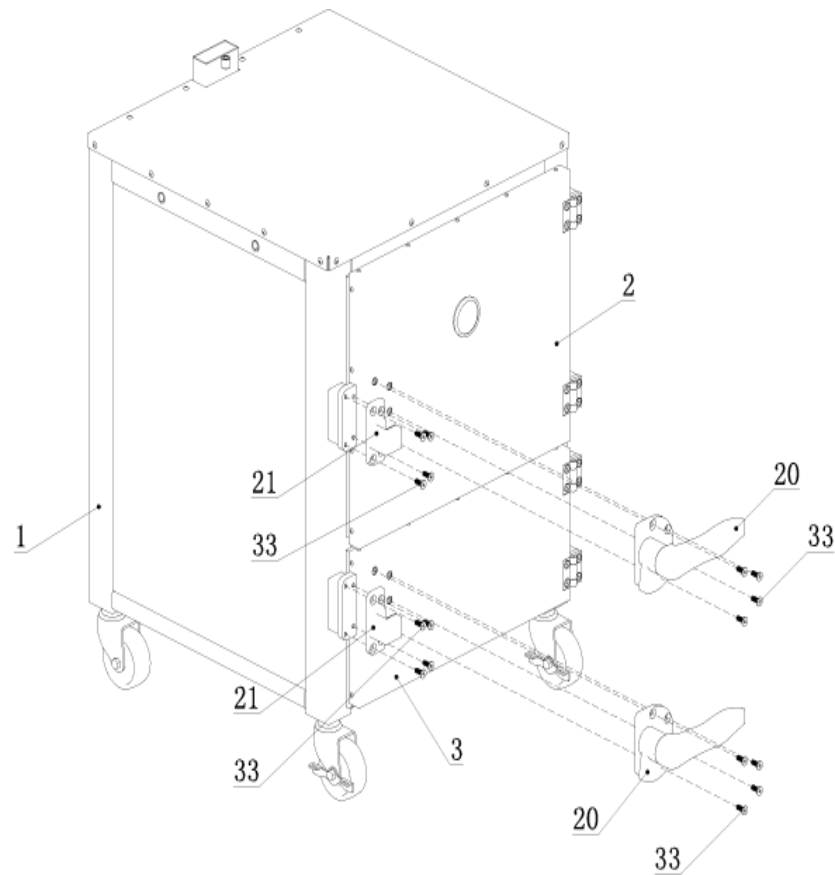
# ASSEMBLY INSTRUCTIONS

## Step 1

Fix Side Brake Wheel  $\Phi 75*30$  (15) and Wheel  $\Phi 75*30$ I (16) to the Main Frame (1) using Flat Nut 1/2"-13UNC (42).



**1**



**2**

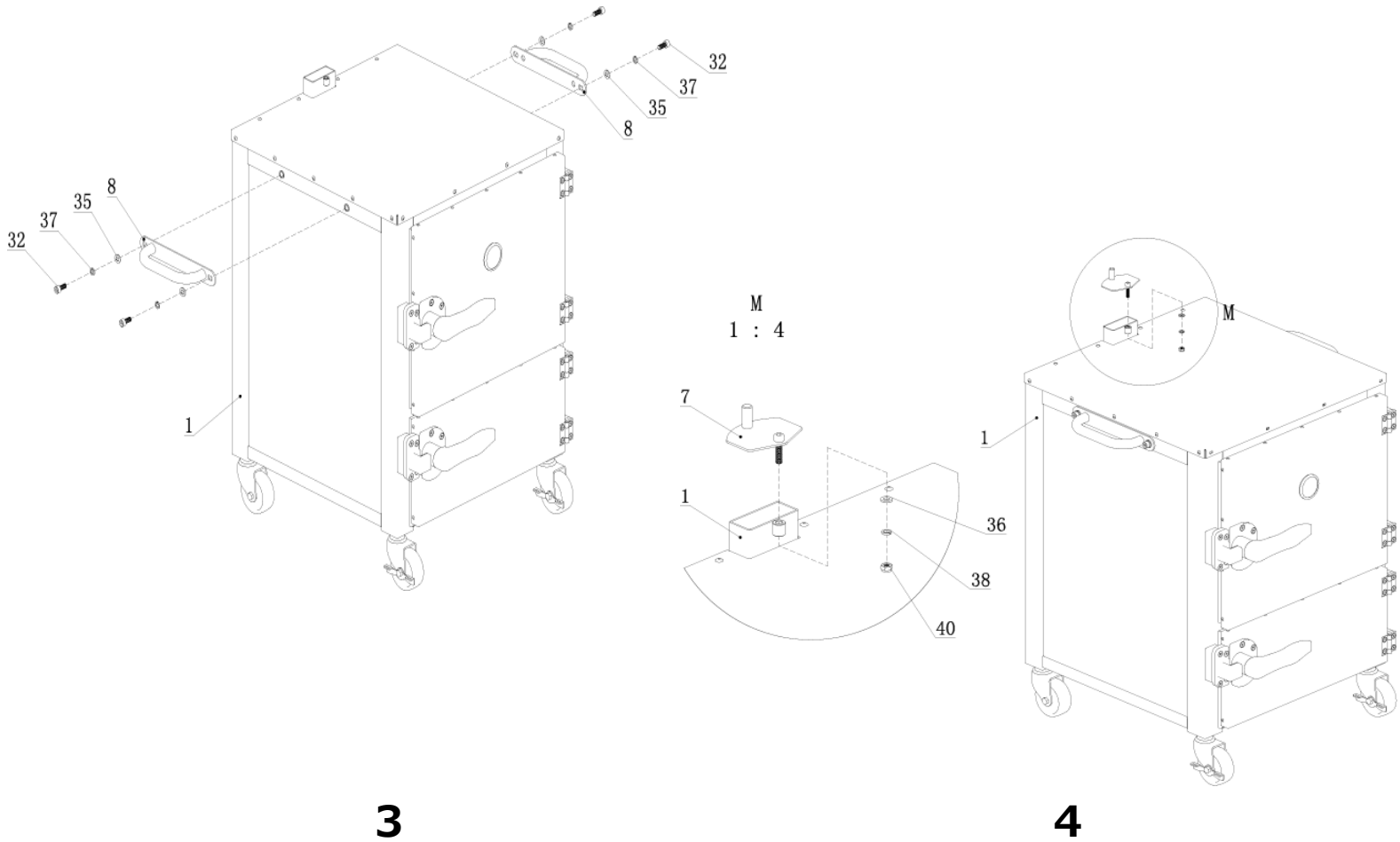
## Step 2

Install the Lock Handle (20) and Lock Hook (21) on the Upper Door Frame (2) and Lower Door Frame (3) using Hexagon Socket Countersunk Head Screw M6\*15 (33).



### Step 3

Fix the Handle (8) to the Main Frame (1) using Hexagon Socket Head Bolt M8\*20 (32), Spring Washer  $\Phi 8$  (37) and Flat Washer  $\Phi 9*\Phi 16*1.6$  (35).



### Step 4

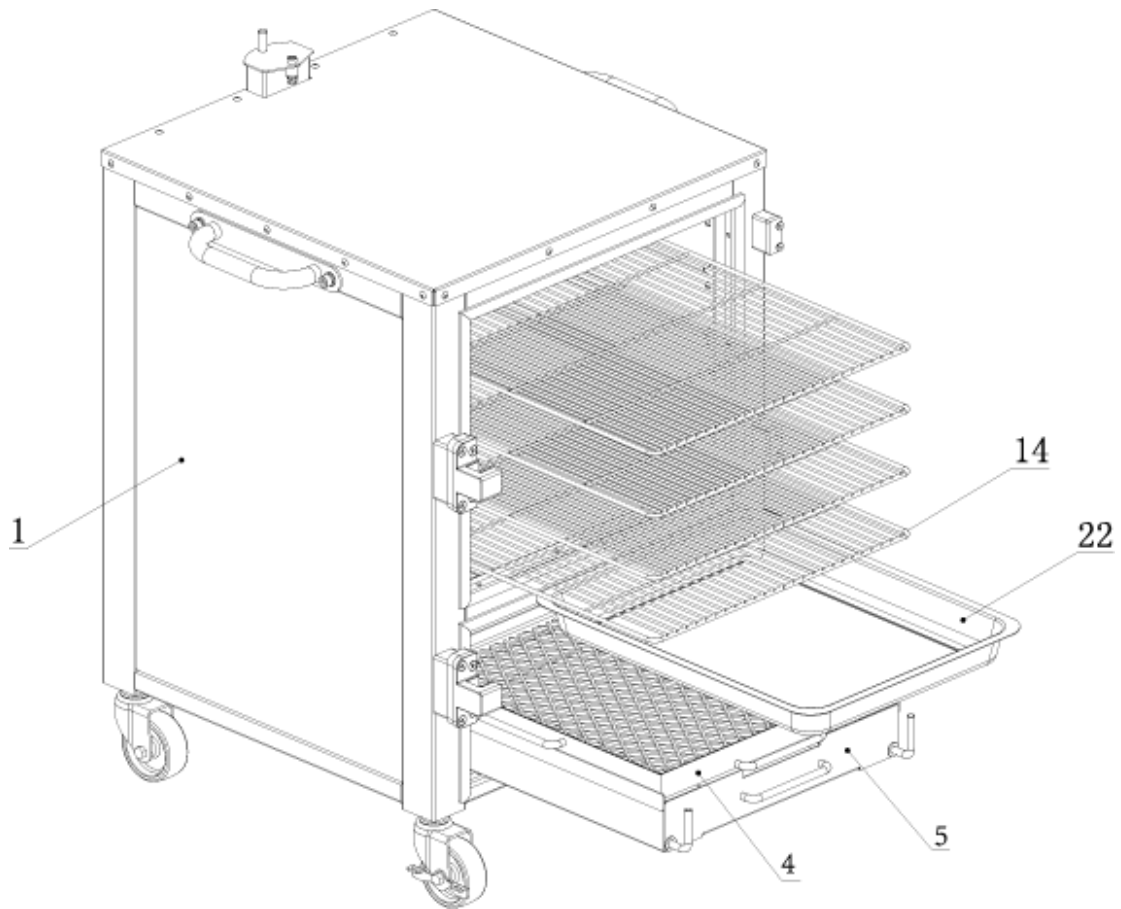
Fix the Funnel Cover (7) to the Main Frame (1) using Flat Washer  $\Phi 6.6*\Phi 12*1.6$  (36), Spring Washer  $\Phi 6$  (38) and Nut M6 (40).



## Step 5

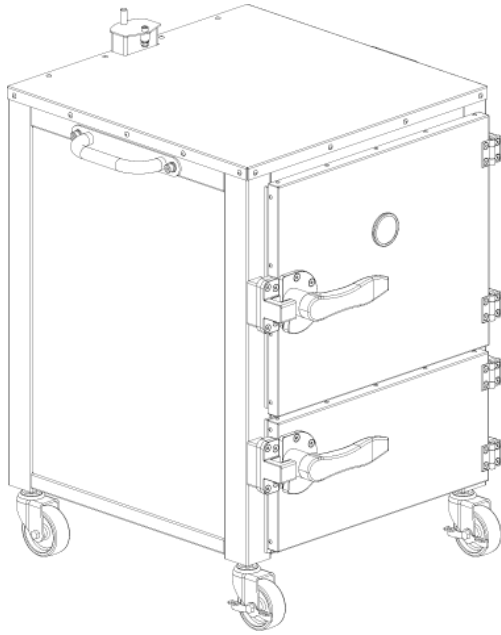
Put Gridiron 455\*400\*Φ5\*Φ3(14), Water Pond 440\*340\*40\*0.8 (22), Charcoal Ash Box (4) and Underframe (5) into the Main Frame (1).

**Please tighten all the bolts and nuts.**



**5**





*This concludes the BOXSMOKER Owner's Manual.*

*If applicable to your product, make sure to tighten all nut-and-bolt combinations before use.*

*Enjoy!*

### **DISCLAIMER**

This equipment must be used with care by capable and competent individuals under supervision, if necessary.

The use of any equipment, including this one, involves the potential risk of injury. You accept and assume full responsibility for any and all injuries, damages (both economic and non-economic), and losses of any type, which may occur, and you fully and forever release and discharge Titan, its insurers, employees, officers, directors, associates, and agents from any and all claims, demands, damages, rights of action, or causes of action, present or future, whether the same be known or unknown, anticipated, or unanticipated, resulting from or arising out of the use of said equipment.

TITAN MAKES NO WARRANTY WHATSOEVER WITH RESPECT TO THE EQUIPMENT, INCLUDING ANY WARRANTY OF MERCHANTABILITY OR WARRANTY OF FITNESS FOR A PARTICULAR PURPOSE, WHETHER EXPRESS OR IMPLIED BY LAW, COURSE OF DEALING, COURSE OF PERFORMANCE, USAGE OF TRADE OR OTHERWISE. BUYER ASSUMES ALL LIABILITY IN USE OF THE EQUIPMENT.

**NEED HELP?**

**CONTACT US FIRST.**

**1 (800) 605-8241**

[info@titandistributorsinc.com](mailto:info@titandistributorsinc.com) / [www.titangreatoutdoors.com](http://www.titangreatoutdoors.com)

**Business Hours: Monday–Friday • 8:00 a.m.–5:00 p.m. (CT)**

