

TITAN

GREAT OUTDOORS



OWNER'S MANUAL

MPN(s): BGETABLE_L, BGETABLE_XL

SKU(s): 899828, 899829

PARTS DIAGRAM

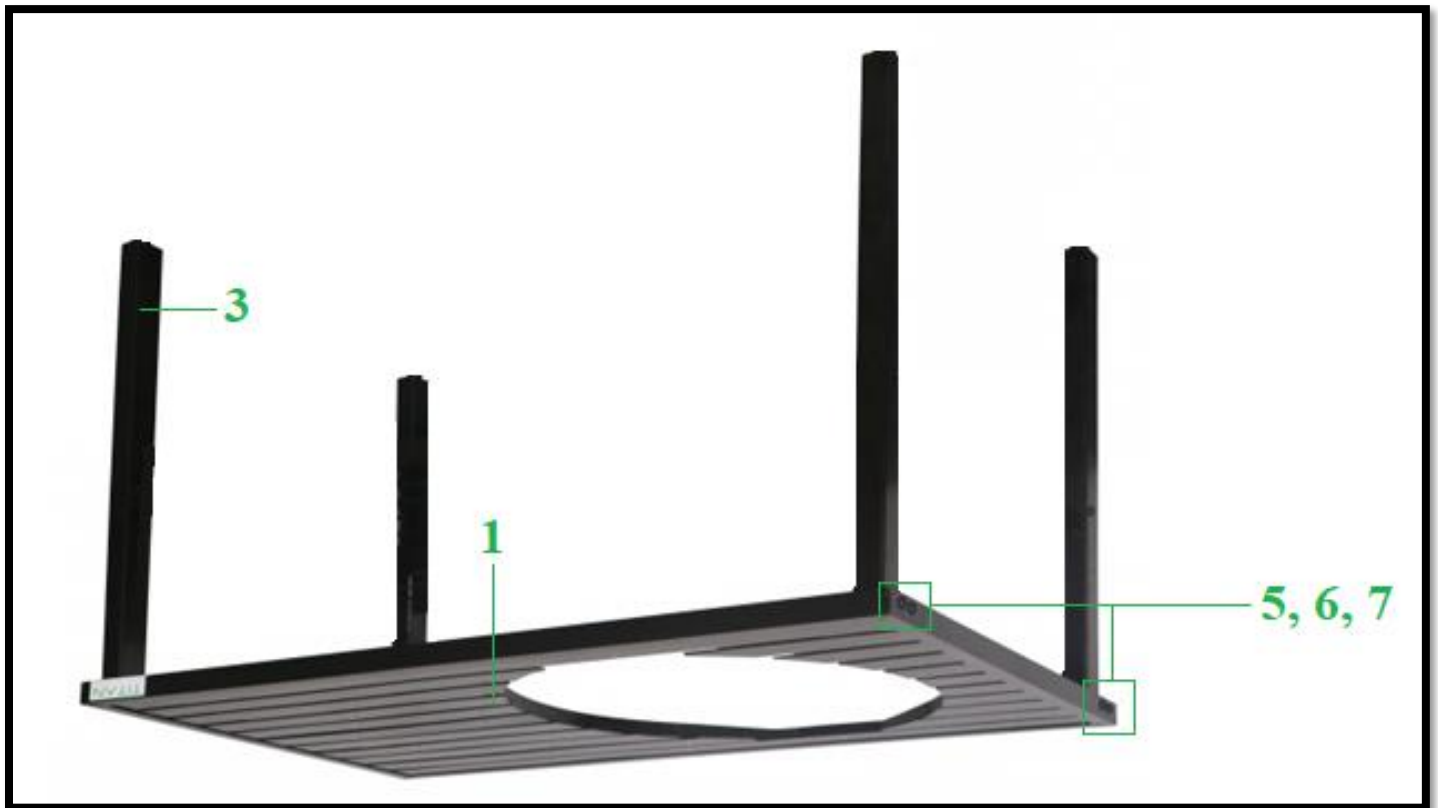


KEY	DESCRIPTION	QTY
(1)	TABLETOP	x1
(2)	SHELF	x1
(3)	LEG	x4
(4)	LOCKING CASTER WHEEL	x4
(5)	BOLT M10x1.5	x16
(6)	FLAT WASHER M10	x16
(7)	NUT M10	x16



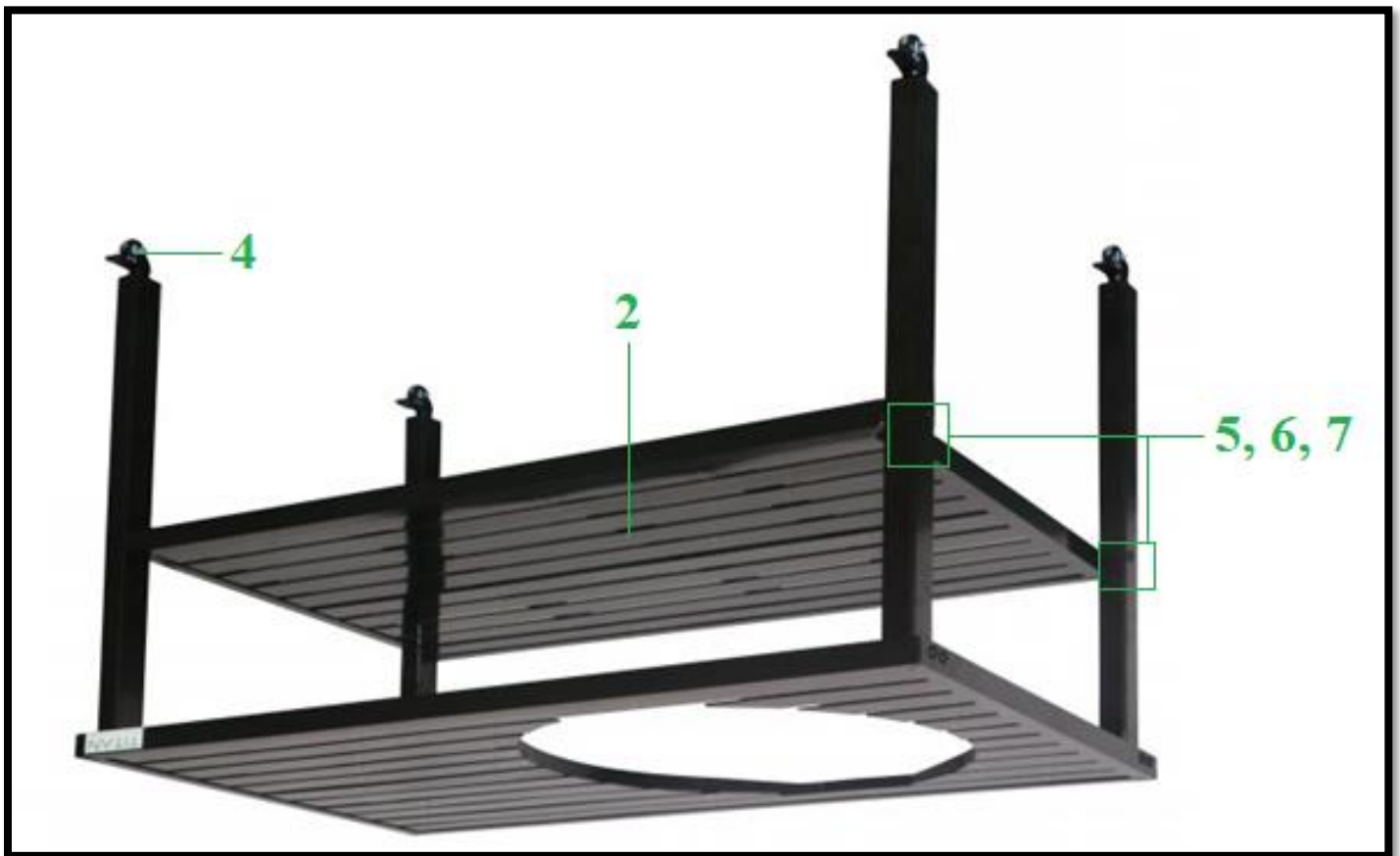
ASSEMBLY INSTRUCTIONS

1. With the **TABLETOP (1)** upside down, attach the **LEGS (3)** to the **TABLETOP (1)** with **BOLTS M10x1.5 (5)**, **FLAT WASHERS M10 (6)**, and **NUTS M10 (7)**.



2. Attach the **SHELF (2)** to the **LEGS (3)** with **BOLTS M10x1.5 (5)**, **FLAT WASHERS M10 (6)**, and **NUTS M10 (7)**.

3. Insert the **LOCKING CASTER WHEELS (4)** at the end of the **LEGS (3)**.





This concludes the BGETABLE Owner's Manual.

Make sure to tighten all nut-and-bolt combinations before use.

Enjoy!

DISCLAIMER

This equipment must be used with care by capable and competent individuals under supervision, if necessary.

The use of any equipment, including this one, involves the potential risk of injury. You accept and assume full responsibility for any and all injuries, damages (both economic and non-economic), and losses of any type, which may occur, and you fully and forever release and discharge Titan, its insurers, employees, officers, directors, associates, and agents from any and all claims, demands, damages, rights of action, or causes of action, present or future, whether the same be known or unknown, anticipated, or unanticipated, resulting from or arising out of the use of said equipment.

TITAN MAKES NO WARRANTY WHATSOEVER WITH RESPECT TO THE EQUIPMENT, INCLUDING ANY WARRANTY OF MERCHANTABILITY OR WARRANTY OF FITNESS FOR A PARTICULAR PURPOSE, WHETHER EXPRESS OR IMPLIED BY LAW, COURSE OF DEALING, COURSE OF PERFORMANCE, USAGE OF TRADE OR OTHERWISE. BUYER ASSUMES ALL LIABILITY IN USE OF THE EQUIPMENT.

NEED HELP?

CONTACT US FIRST.

1 (800) 605-8241

info@titandistributorsinc.com / www.titangreatoutdoors.com

Business Hours: Monday–Friday • 8:00 a.m.–5:00 p.m. (CT)

