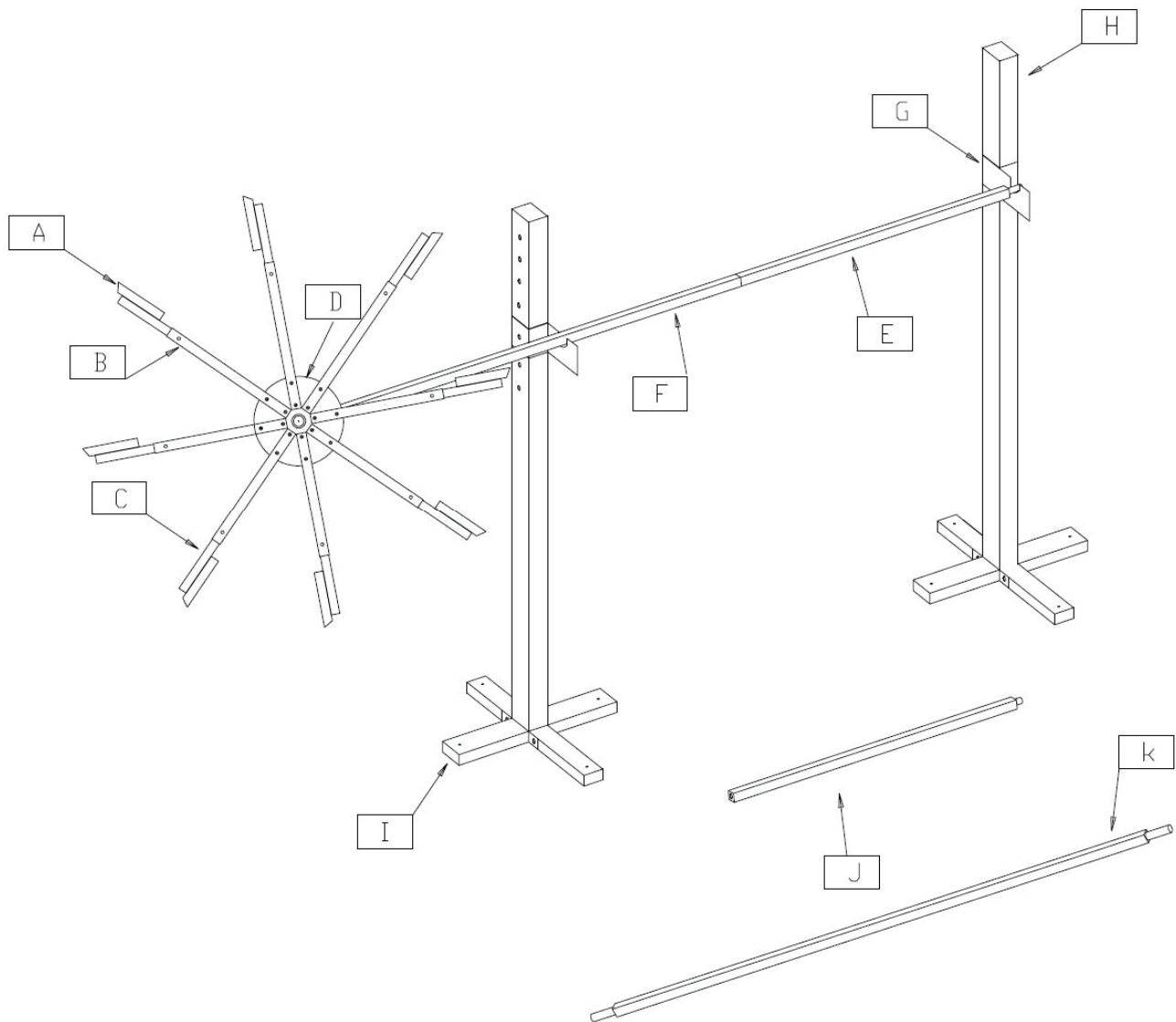


Water-Wheel Rotisserie Assembly Instruction

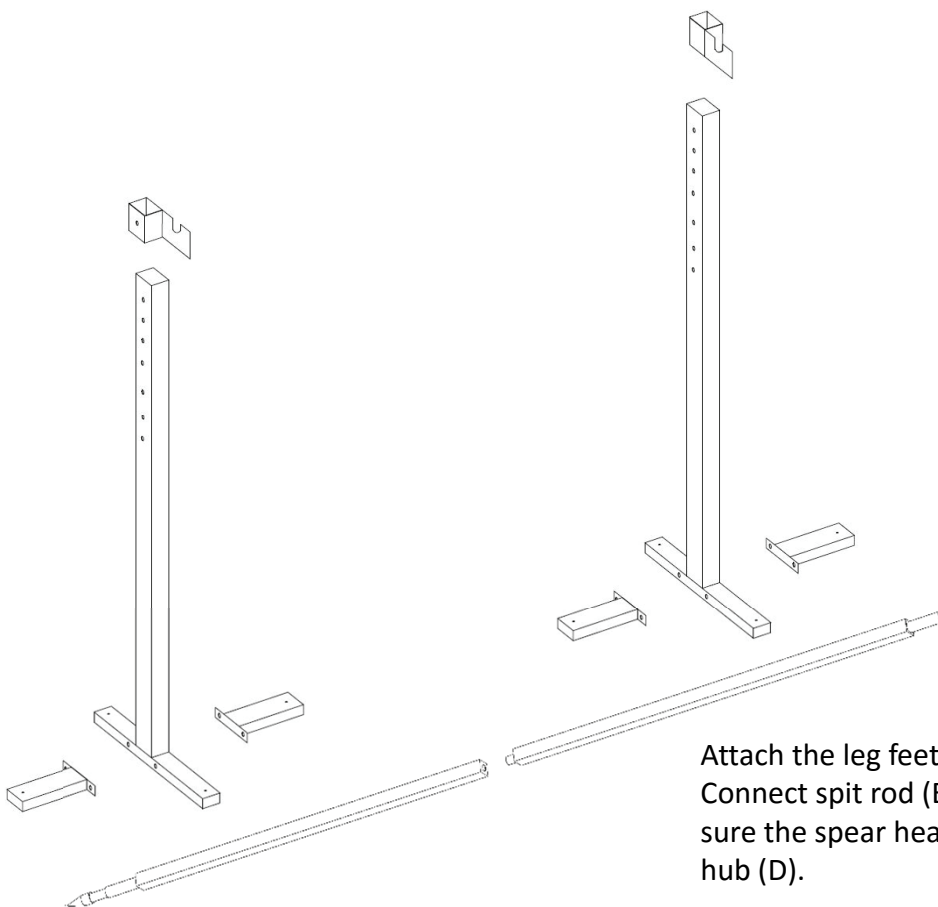
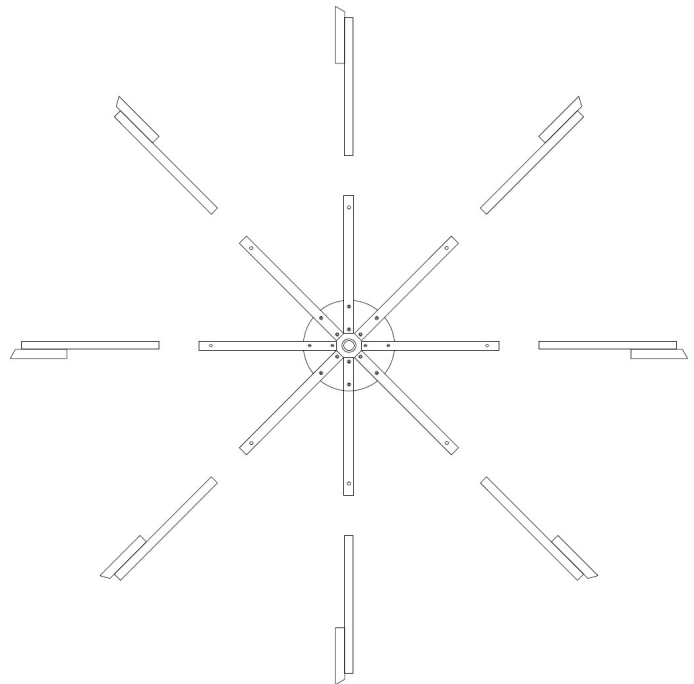


- A: Paddle 8pcs
- B: Wheel Arm 8pcs
- C: Wheel Extension Arm 8pcs
- D: Wheel Hub 1pc
- E: Spit Rod with Spear Head 1pc
- F: Spit Rod with connector 1pc
- G: Spit Rod Supporting Bracket 2pcs
- H: Leg 2pcs
- I: Leg Feet 4pcs
- J: Extension Rod 1pc
- K: Long Extension Rod 1pc

Water-Wheel Rotisserie Assembly Instruction



Attach the paddles (A) with the wheel extension arms (C), attach wheel arms (B) on the wheel hub (D), then attach the assembled paddles on the wheel arms (B).



Attach the leg feet (I) with the legs (H). Connect spit rod (E) & (F) together, make sure the spear head goes through wheel hub (D).

Use extension rod (J) or (K) to achieve your desired length to have the paddles in the water.