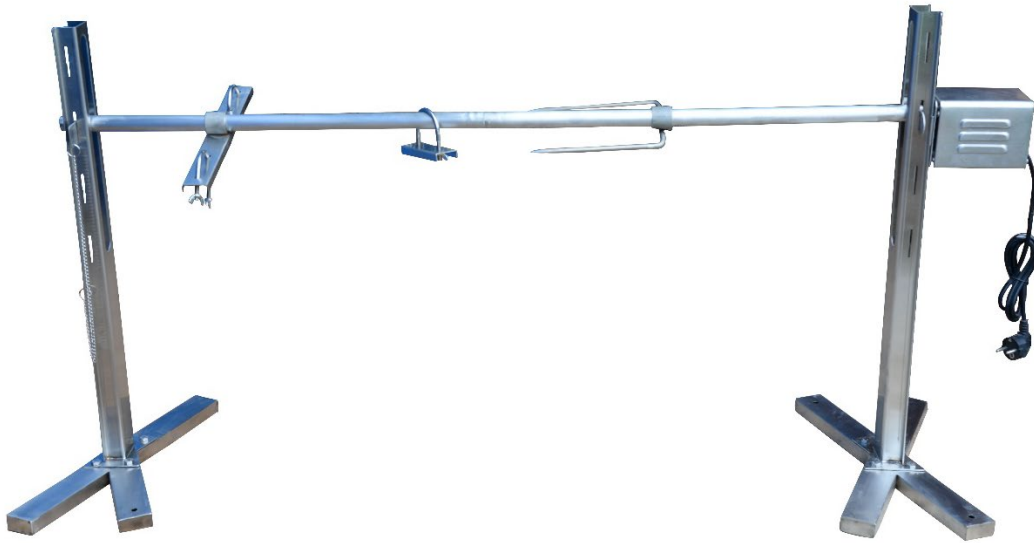


TITAN

GREAT OUTDOORS



TRISR13 13W MOTOR:



TRISR25 45W MOTOR:



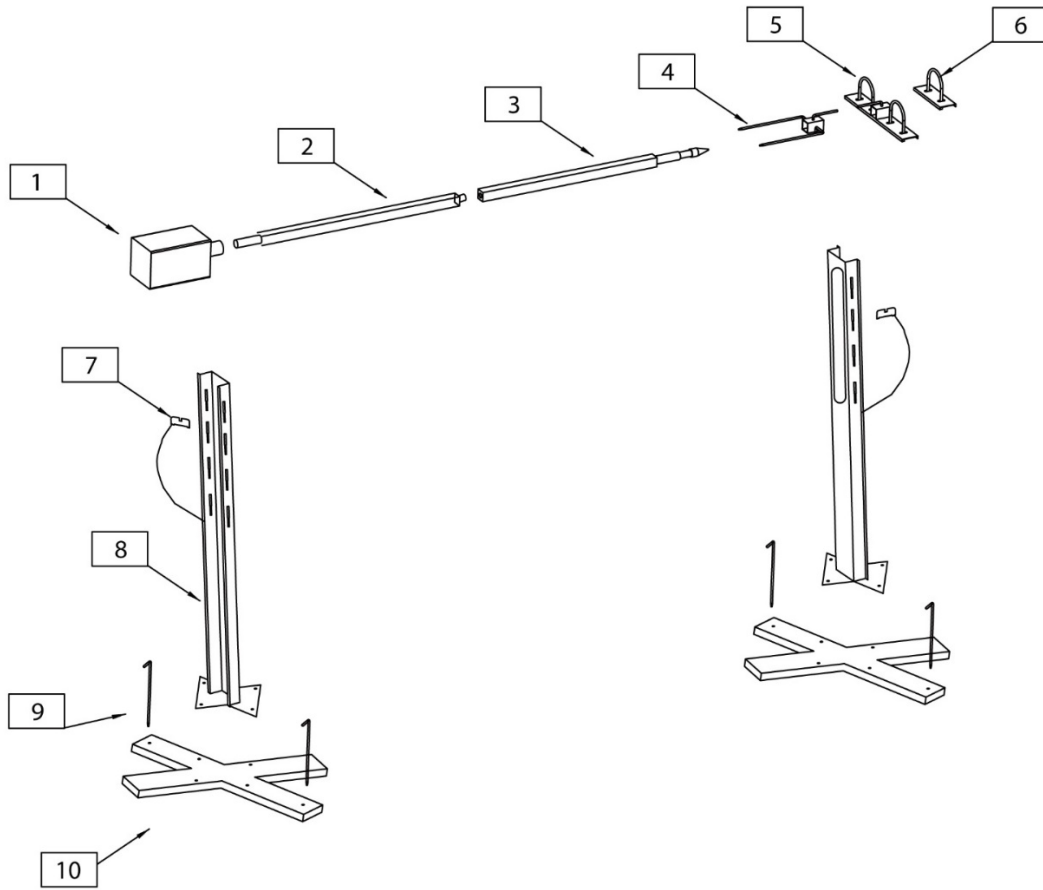
OWNER'S MANUAL

MPN(s): TRISR13, TRISR25

SKU(s): 899985, 899986

UPC(s): 049008269798, 737069523217

PARTS DIAGRAM / EXPLODED VIEW



KEY	BOX	DESCRIPTION	QTY
(1)		MOTOR	1
(2)		SPIT ROD (MALE)	1
(3)		SPIT ROD (FEMALE)	1
(4)		FORK	1
(5)		LEG SHACKLE	1
(6)		SPINE HOOK	1
(7)		KEY STOPPER	2
(8)		LEG	2
(9)		GROUND PEG	42
(10)		FEET	



ASSEMBLY INSTRUCTIONS

Step 1: Assemble the legs on the feet (hex bolts are pre-assembled on the feet).

Step 2: Screw up and connect spit rods (male & female pieces) together, tighten up the small hex socket screw on the female spit rod, so the whole rod won't get loose when rotating.

Step 3: Put the key stoppers on the notch of the legs at your desired height.

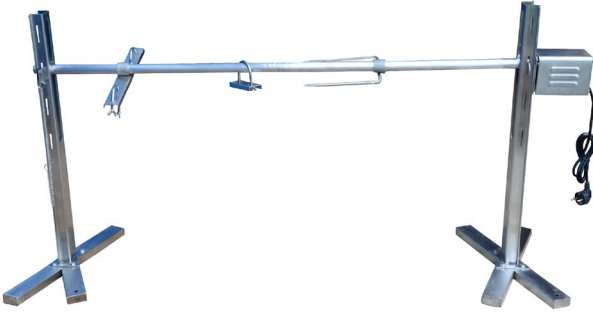
Step 4: Put fork, spine hook and leg shackle on the spit rod, then put the whole spit rod on the legs, make sure the notches on the two ends of the rod are sit into the key stopper.

Step 5: Put the motor on the coupler of the rod, the pin on the motor shaft should sit into the notch of the coupler.

Step 6: Hammer the ground pegs on the feet.

Step 7: Fix meat on the spit rod and enjoy!





This concludes the TRISR13 and TRISR25

Owner's Manual.

*If applicable to your product, make sure to tighten
all nut-and-bolt combinations before use.*

Enjoy!

DISCLAIMER

This equipment must be used with care by capable and competent individuals under supervision, if necessary.

The use of any equipment, including this one, involves the potential risk of injury. You accept and assume full responsibility for any and all injuries, damages (both economic and non-economic), and losses of any type, which may occur, and you fully and forever release and discharge Titan, its insurers, employees, officers, directors, associates, and agents from any and all claims, demands, damages, rights of action, or causes of action, present or future, whether the same be known or unknown, anticipated, or unanticipated, resulting from or arising out of the use of said equipment.

TITAN MAKES NO WARRANTY WHATSOEVER WITH RESPECT TO THE EQUIPMENT, INCLUDING ANY WARRANTY OF MERCHANTABILITY OR WARRANTY OF FITNESS FOR A PARTICULAR PURPOSE, WHETHER EXPRESS OR IMPLIED BY LAW, COURSE OF DEALING, COURSE OF PERFORMANCE, USAGE OF TRADE OR OTHERWISE. BUYER ASSUMES ALL LIABILITY IN USE OF THE EQUIPMENT.

NEED HELP?

CONTACT US FIRST.

1 (800) 605-8241

info@titandistributorsinc.com / www.titangreatoutdoors.com

Business Hours: Monday–Friday • 8:00 a.m.–5:00 p.m. (CT)

