



TITAN
FITNESS



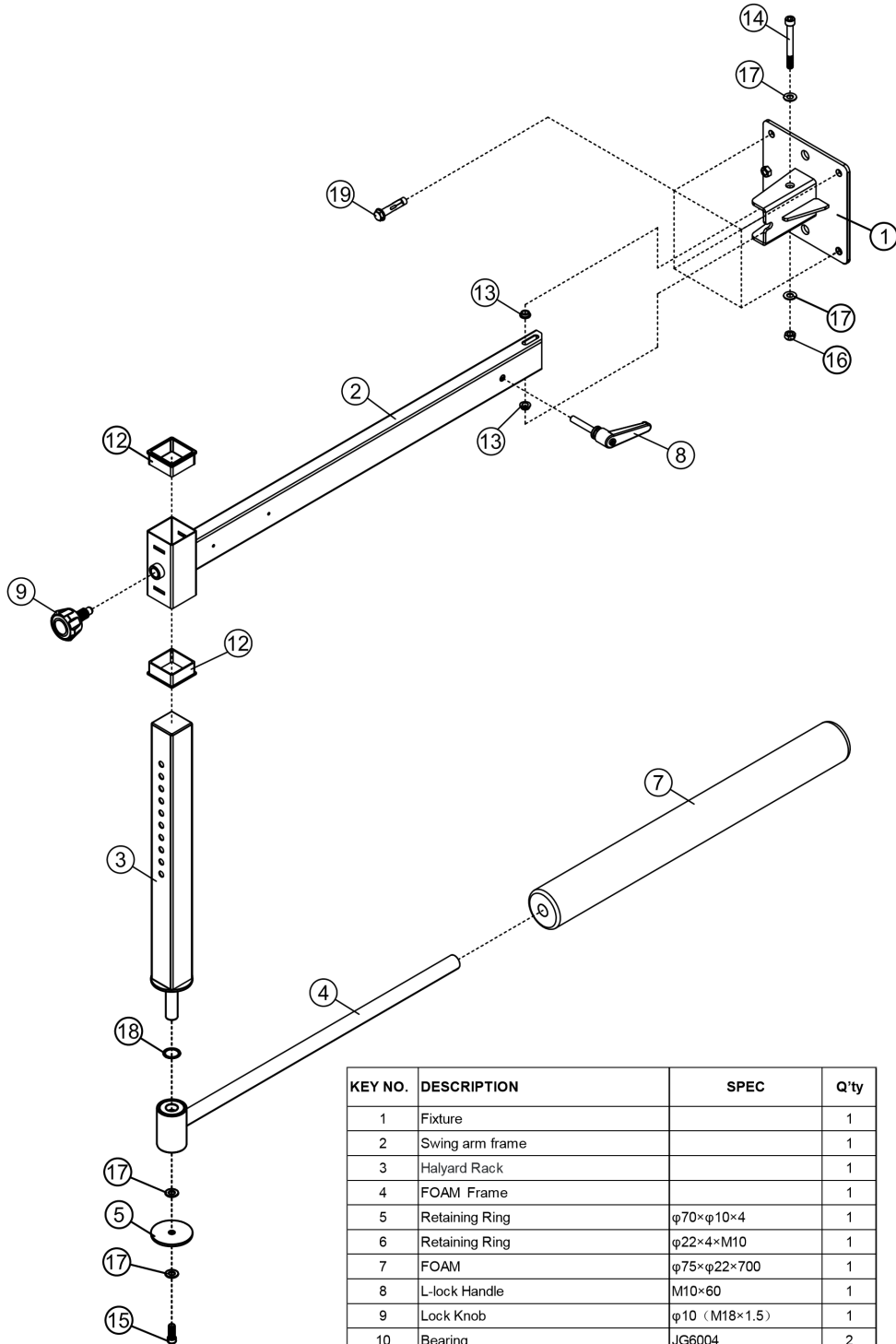
OWNER'S MANUAL

MPN(s): PVRFT.2

SKU(s): 400884.2

UPC(s): 840009205262

PARTS DIAGRAM / EXPLODED VIEW



KEY NO.	DESCRIPTION	SPEC	Q'ty
1	Fixture		1
2	Swing arm frame		1
3	Halyard Rack		1
4	FOAM Frame		1
5	Retaining Ring	φ70×φ10×4	1
6	Retaining Ring	φ22×4×M10	1
7	FOAM	φ75×φ22×700	1
8	L-lock Handle	M10×60	1
9	Lock Knob	φ10 (M18×1.5)	1
10	Bearing	JG6004	2
11	End Cap	□50	1
12	Sleeve	□60×□50	2
13	Bushing	φ18×φ14×φ10×6	2
14	Hexagon Socket Button Head Screws	M10×90	1
15	Hexagon Socket Button Head Screws	M10×16	1
16	Aircraft Nut	M10	1
17	Washer	φ22×φ10	3
18	Elastic Washer	φ22	1
19	Floor Expansion Bolts	M12×70	4
	Allen Wrench	8#	1



This concludes the PVRFT.2 Owner's Manual.

If applicable to your product, make sure to tighten all nut-and-bolt combinations before use.

Enjoy!

DISCLAIMER

This equipment must be used with care by capable and competent individuals under supervision, if necessary.

The use of any fitness equipment, including this one, involves the potential risk of injury. You accept and assume full responsibility for any and all injuries, damages (both economic and non-economic), and losses of any type, which may occur, and you fully and forever release and discharge Titan, its insurers, employees, officers, directors, associates, and agents from any and all claims, demands, damages, rights of action, or causes of action, present or future, whether the same be known or unknown, anticipated, or unanticipated, resulting from or arising out of the use of said equipment.

TITAN MAKES NO WARRANTY WHATSOEVER WITH RESPECT TO THE EQUIPMENT, INCLUDING ANY WARRANTY OF MERCHANTABILITY OR WARRANTY OF FITNESS FOR A PARTICULAR PURPOSE, WHETHER EXPRESS OR IMPLIED BY LAW, COURSE OF DEALING, COURSE OF PERFORMANCE, USAGE OF TRADE OR OTHERWISE. BUYER ASSUMES ALL LIABILITY IN USE OF THE EQUIPMENT.

NEED HELP?

CONTACT US FIRST.

1 (800) 605-8241

info@titandistributorsinc.com / www.titan.fitness

Business Hours: Monday–Friday • 8:00 a.m.–5:00 p.m. (CT)

