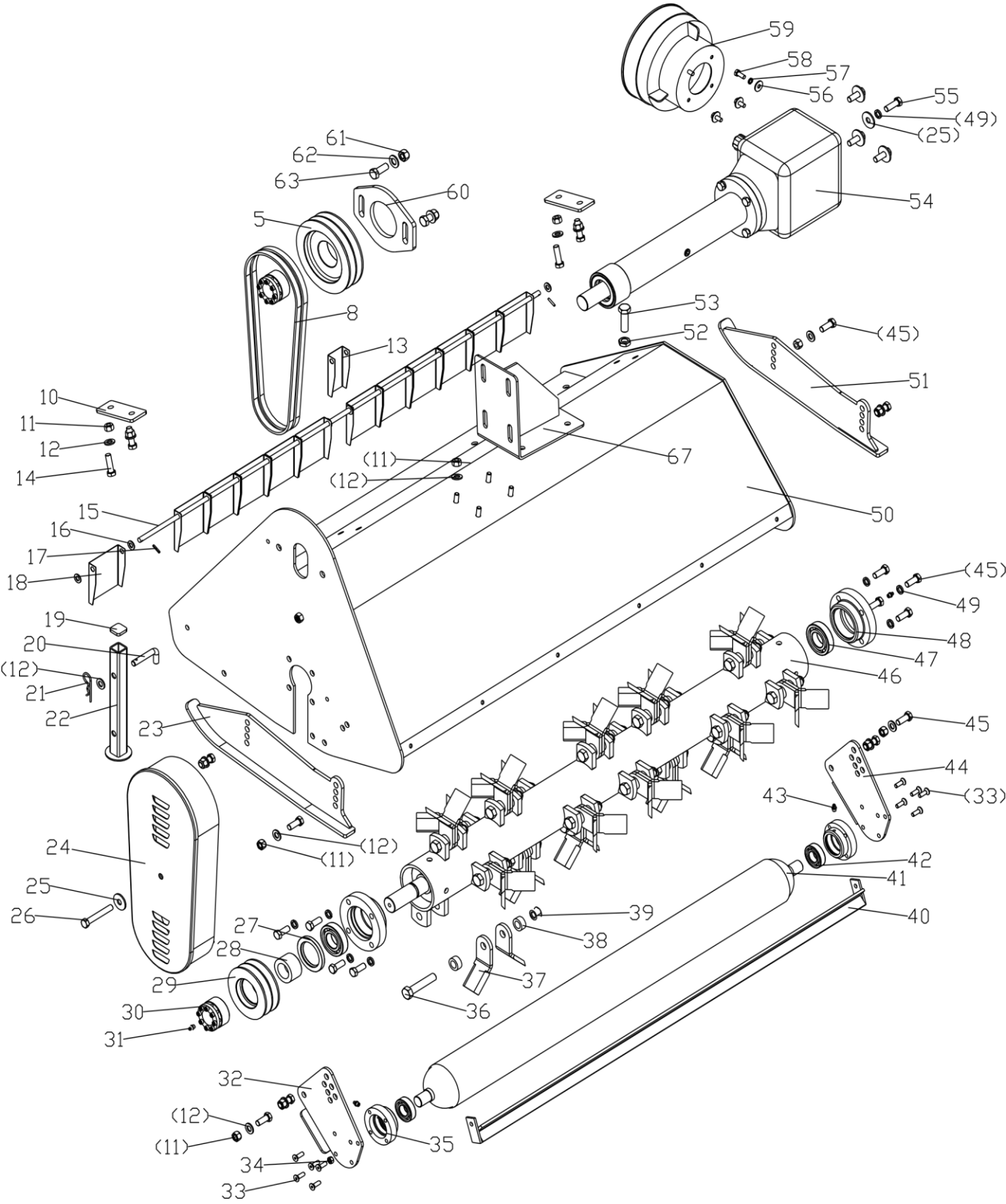


# SEFGC Flail Mower Assembly (1)





# CAUTION

**FILL GEARBOXES  
WITH SAE 90 GEAR LUBE**

Gearboxes are shipped without oil.  
Oil must be added before operation!

## SEFGC Flail Mower Assembly Parts List (1)

REF	PART NUMBER	DESCRIPTION	QTY
5	EFGC125.121	Big belt pulley	1
8	GB/T1154-97/A965	Strap SPB991	2(SEFGC125)
			3(SEFGC145)
			3(SEFGC155)
			3(SEFGC165)
			4(SEFGC175)
10	EFGC125.103	Splint	2
11	GB6184-86/M12	Locking nut M12	24
12	GB97.1-85/12	Plain washer 12	40
13	EFGC125.114	Fender	1
14	GB5783-86/M12X40	Bolt M12x40	8
15	EFGC125.104	Shaft for fender	1
16	GB97.1-85/10	Plain washer 10	17(SEFGC125)
			19(SEFGC145)
			20(SEFGC155)
			21(SEFGC165)
			22(SEFGC175)
17	GB879-86/4X22	Elastic cylindrical pin 4x22	2

18	EFGC125.113	Fender ( or Chain)	12(SEFGC125)
			14(SEFGC145)
			15(SEFGC155)
			16(SEFGC165)
			17(SEFGC175)
19	EFGC125.112	Cover	1
20	1G135.00.107	Bent pin	1
21	EFGC125.110	R pin	1

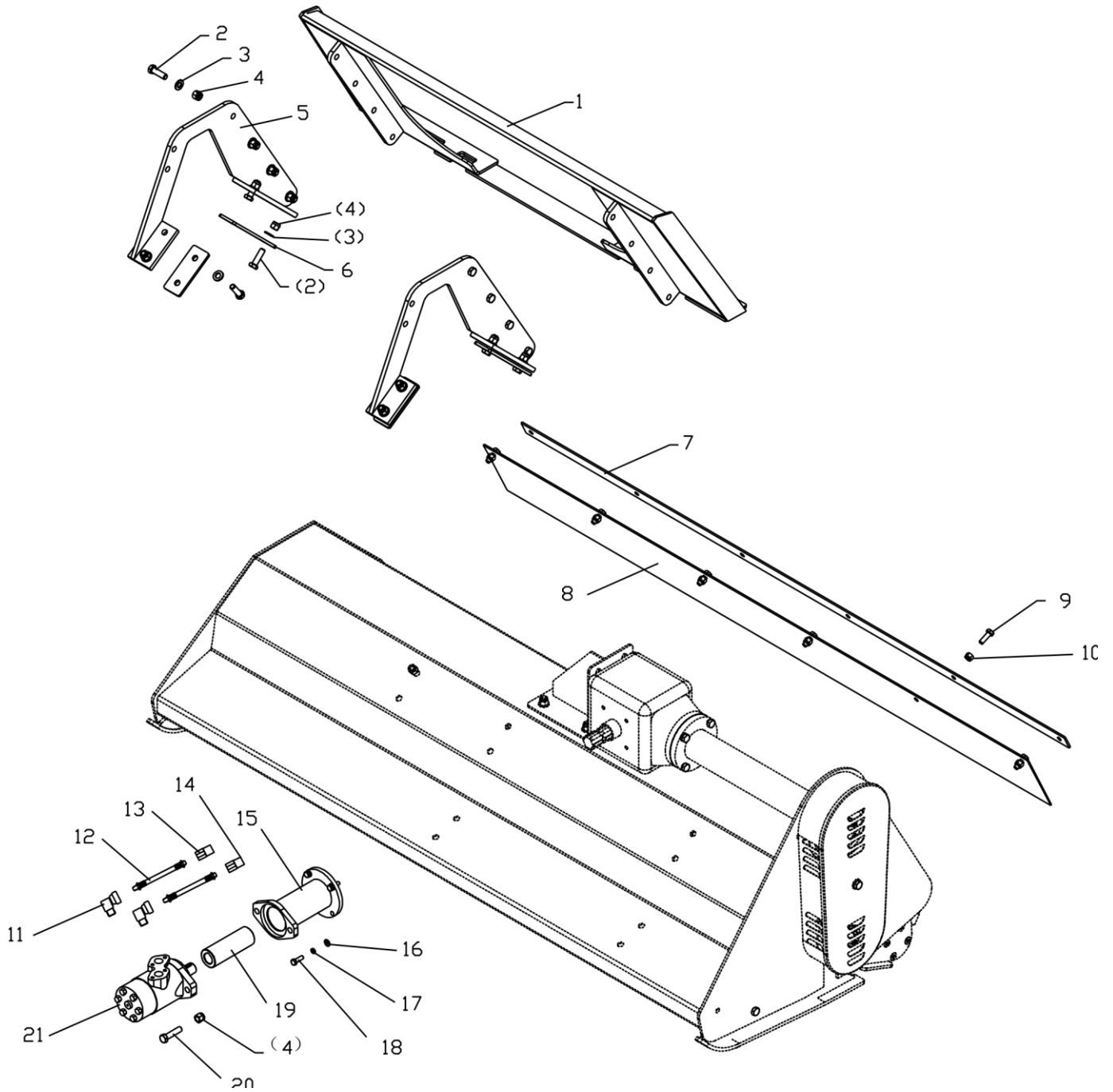
22	EFGC125.111	Supporting frame	1
23	EFGC125.014	Base plate (L)	1
24	EFGC125.012	Belt cover	1
25	GB96-85/12	Plain washer 12	5
26	GB5782-86/M12X80	Bolt M12x80	1
27	GB13871-94/55X80X8	Oil seal FB55X80X8	1
28	EFGC125.116	Oil-sealing sleeve	1
29	EFGC125.117	Small belt ptley	1
30	JB/T7934Z3/35X60	Swellable sleeve	2
31	GB1152-89/M8X1	Oil cup M8X1	2
32	EFGC125.105	Supporting for roller (R)	1
33	GB2673-86/M8X25	Hex.head bolt M8X25	10
34	GB6184-86/M8	Locking nut M8	2
35	EFGC125.107	Bearing	2
36	GB5782-86/M16X1.5X85	Bolt M16x1.5x85	20(SEFGC125)
			24(SEFGC145)

			24(SEFGC155)
			28(SEFGC165)
			28(SEFGC175)
37	EFGC125.122	Blade (or Hammer)	40(SEFGC125)
			48(SEFGC145)
			48(SEFGC155)
			56(SEFGC165)
			56(SEFGC175)
38	EFGC125.119	Sleeve	40(SEFGC125)
			48(SEFGC145)
			48(SEFGC155)
			56(SEFGC165)
			56(SEFGC175)

39	GB6184-86/M16X1.5	Locking nut M16X1.5	20(SEFGC125)
			24(SEFGC145)
			24(SEFGC155)
			28(SEFGC165)
			28(SEFGC175)
40	EFGC125.016	Mud shield	1
41	EFGC125.017	Roller weldment	1
42	UC205	Flange UC205	2
43	GB1152-89/M6	Oil cup M6	2
44	EFGC125.106	Supporting for roller (L)	1
45	GB5783-86/M12X30	Bolt M12x30	23

46	EFGC125.018	Blade axle weldment	1
47	UC207-Z	Flange UC207-Z	2
48	EFGC125.115	Bearing	2
49	GB93-87/12	Spring washer 12	12
50	SEFGC175.1001.100	The cover weldment	1
51	EFGC125.015	Base plate (R)	1
52	GB6173-86/M16x1.5	Nut M16x1.5	1
53	GB5786-86/M16X1.5X50	Bolt M16X1.5X50	1
54	EFGC125.019	Gearbox assembly	1
55	GB5783-86/M12X35	Bolt M12x35	8
56	GB96-85/8	Plain washer 8	4
57	GB93-87/8	Spring washer 8	4
58	GB5783-86/M8X20	Bolt M8x20	4
59	FM150.120	Guard shade	1
60	EFGC125.120	Tension plate	1
61	GB6184-86/M14	Locking nut M14	2
62	GB97.1-85/14	Plain washer 14	2
63	GB5783-86/M14X35	Bolt M14x35	2
67	EFGC125.024	Gearbox seat weldment	1

## **SEFGC Flail Mower Assembly (2)**



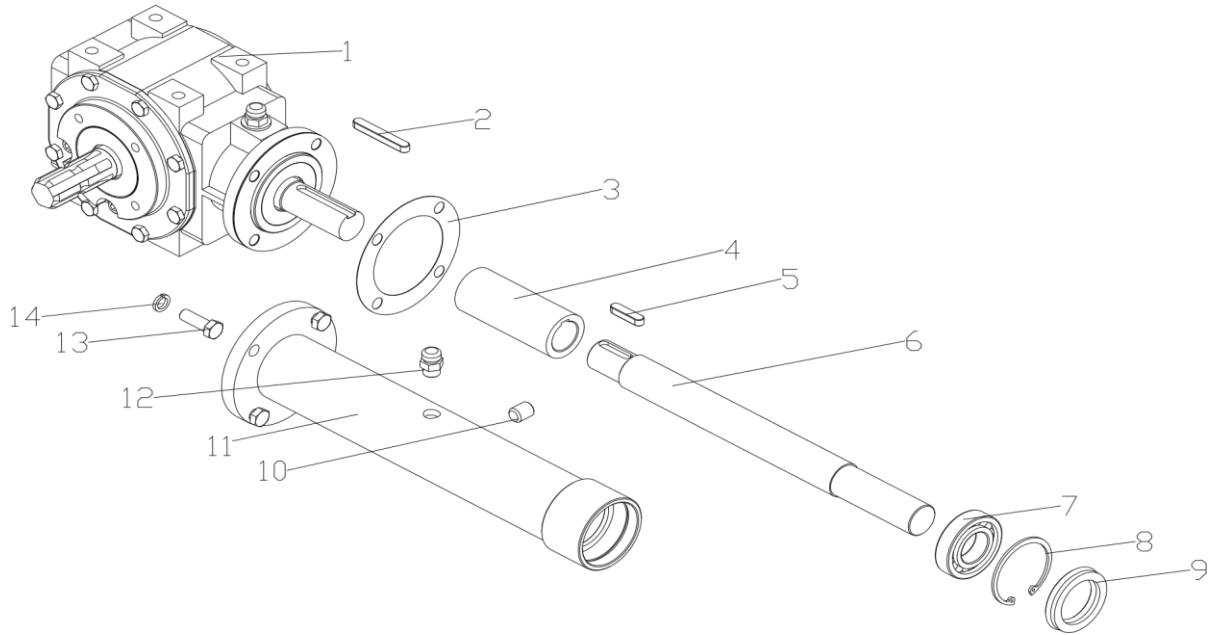
## SEFGC Flail Mower Parts List (2)

REF	PART NUMBER	DESCRIPTION	QTY
1	WK124436.001-A	Skid Steer Qtach	1
2	GB5783-86/M12X30	Bolt M12x40	16
3	GB97.1-85/12	Plain washer 12	16

4	GB889.1-2000/M12	Nut M12	18
5	SEFGC175.1001.200	Articulated plate weldment	2
6	SEFGC175.1001.001	Plate	2
7	DP175.016	Press plate	1
8	DP175.105	Rubber plate	1
9	GB5783-86/M10X30	Bolt M10x30	6
10	GB889.1-2000/M10	Nut M10	6
11	WX310.016	Right Angle joint R1/2-G1/2	2
12	WX410.016	Feed tubing	2
13	WX410.017	Quick connector female	1
14	WX410.018	Quick connector male	1
15	SEFGC175.1000.200	Flange weldment	1
16	GB97.1-85/8	Plain washer8	4
17	GB93-87/8	Spring washer8	4
18	GB5783-86/M8X25	Bolt M8x25	4
19	SEFGC175.1000.100	Spline weldment	1
20	GB5783-86/M12X50	Bolt M12x50	2
21		Motor BM2	1

## Transmission Assembly

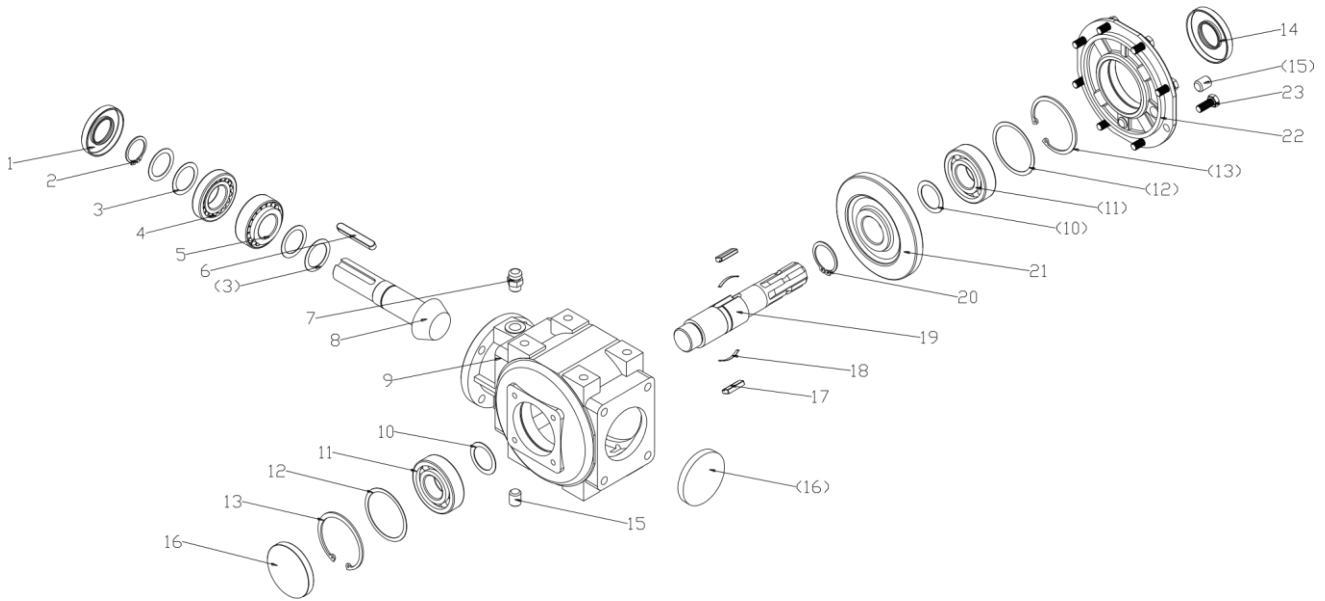




## Transmission Assembly Parts List

REF	PART NUMBER	DESCRIPTION	QTY
1	TS50.300Z.02	Gearbox assembly	1
2	GB1096-79/A10X70	Key A10X70	1
3	EFGC125.166	Paper gasket	1
4	EFGC125.167	Connected sleeve	1
5	GB1096-79/A10X40	Key A10X40	1
6	EFGC125.168	Shaft	1
7	GB/T276-94/6207	Bearing 6207	1
8	GB893.1-86/72	Circlip 72	1
9	GB13871-94/35X72X10	Oil seal 35x72x10	1
10	ZBT 32001.3-87	Retainer	1
11	EFGC125.020	Shaft tube weldment	1
12	EFGC125.169	Bolt of plug screw ZG3/8"-19	1
13	GB5783-86/M12X35	Bolt M12X35	4
14	GB93-87/12	Spring washer 12	12

# Gearbox



## Gearbox Parts List

REF	PART NUMBER	DESCRIPTION	QTY
1	GB9877.1-88/35X72X10	Oil seal 35x72x10	1
2	GB894.1-89/35	Circlips for shaft 35	1
3	TS50.300Z.01.110	Washer (S) 0.7	4
4	GB297-94/30207	Bearing 30207	1
5	GB297-94/32207	Bearing 32207	1
6	GB1096-79/10X65	Key 10X65	1
7	EFGC125.169	Bolt of plug screw ZG3/8"-19	1
8	TS50.300Z.01.111	Bevel gear shaft	1
9	TS50.300Z.01.101	Gearbox complete	1
10	TS50.300Z.01.105	Washer (S) 1	2
11	GB/T276-94/6307	Bearing 6307	2
12	TS50.300Z.01.104	Washer (B) 0.7	2

13	GB893.1-86/80	Circlips for hole 80	2
14	GB9877.1-88/35X80X10	Oil seal 35×80×10	1
15	ZBT 32001.3-87	Retainer	1
16	TS50.300Z.01.106	Seal cover	2
17	TS50.300Z.01.108	Key	2
18	TS50.300Z.01.109	Spring	2
19	TS50.300Z.01.103	Pinion shaft	1
20	GB894.1-89/42	Circlips for shaft 42	1
21	TS50.300Z.01.107	Bevel gear	1
22	TS50.300Z.01.102	Gearbox cover	1
23	GB5783-86/M10X25	Bolt M18x40	8