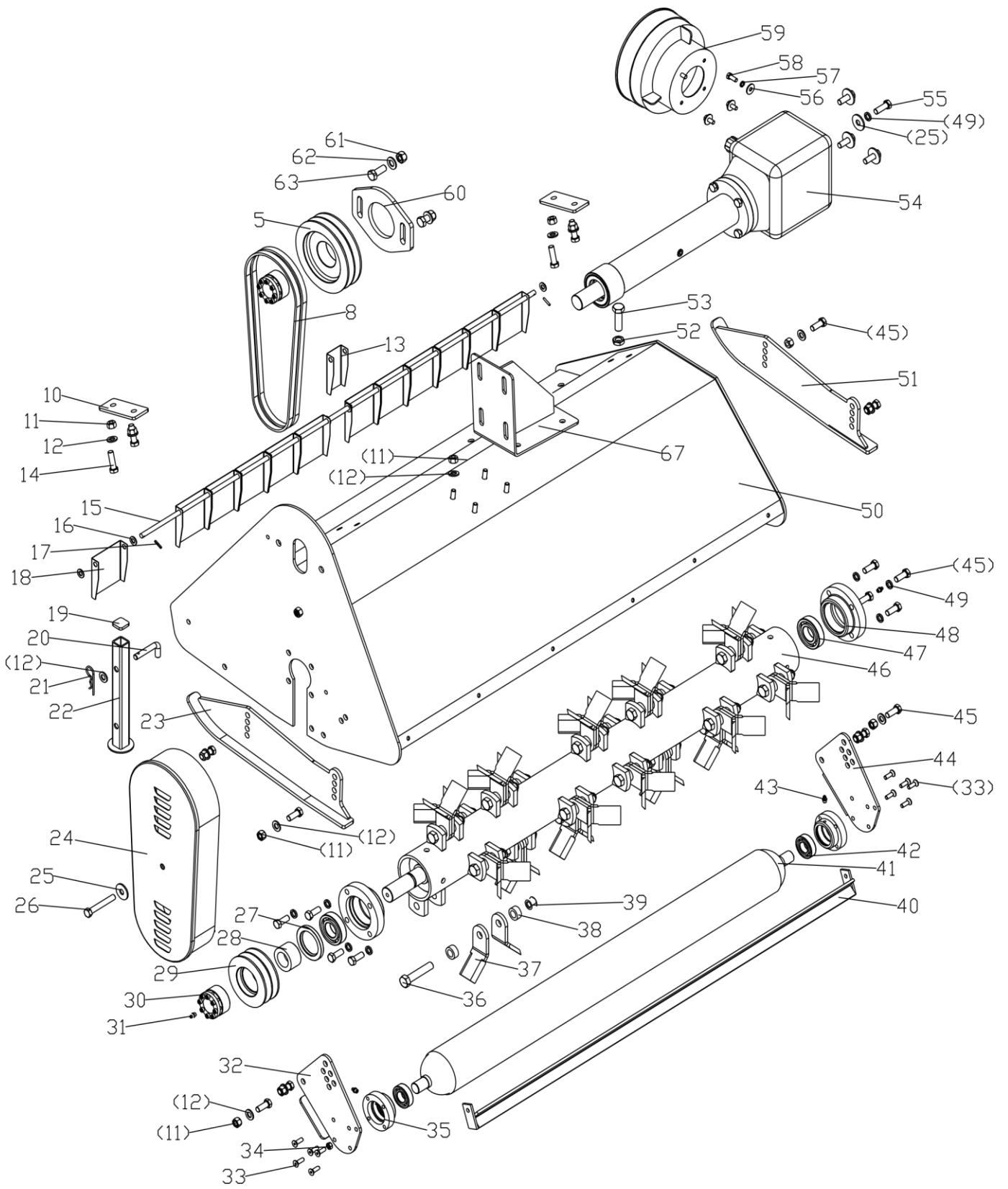


# SEFGC Flail Mower Assembly (1)





# CAUTION

**FILL GEARBOXES  
WITH SAE 90 GEAR LUBE**

Gearboxes are shipped without oil.  
Oil must be added before operation!

## SEFGC Flail Mower Assembly Parts List (1)

| REF | PART NUMBER      | DESCRIPTION                  | QTY          |
|-----|------------------|------------------------------|--------------|
| 5   | EFGC125.121      | Big belt pulley              | 1            |
| 8   | GB/T1154-97/A965 | Strap SPB991                 | 2(SEFGC125)  |
|     |                  |                              | 3(SEFGC145)  |
|     |                  |                              | 3(SEFGC155)  |
|     |                  |                              | 3(SEFGC165)  |
|     |                  |                              | 4(SEFGC175)  |
| 10  | EFGC125.103      | Splint                       | 2            |
| 11  | GB6184-86/M12    | Locking nut M12              | 24           |
| 12  | GB97.1-85/12     | Plain washer 12              | 40           |
| 13  | EFGC125.114      | Fender                       | 1            |
| 14  | GB5783-86/M12X40 | Bolt M12x40                  | 8            |
| 15  | EFGC125.104      | Shaft for fender             | 1            |
| 16  | GB97.1-85/10     | Plain washer 10              | 17(SEFGC125) |
|     |                  |                              | 19(SEFGC145) |
|     |                  |                              | 20(SEFGC155) |
|     |                  |                              | 21(SEFGC165) |
|     |                  |                              | 22(SEFGC175) |
| 17  | GB879-86/4X22    | Elastic cylindrical pin 4x22 | 2            |

|    |              |                    |              |
|----|--------------|--------------------|--------------|
| 18 | EFGC125.113  | Fender ( or Chain) | 12(SEFGC125) |
|    |              |                    | 14(SEFGC145) |
|    |              |                    | 15(SEFGC155) |
|    |              |                    | 16(SEFGC165) |
|    |              |                    | 17(SEFGC175) |
| 19 | EFGC125.112  | Cover              | 1            |
| 20 | 1G135.00.107 | Bent pin           | 1            |
| 21 | EFGC125.110  | R pin              | 1            |

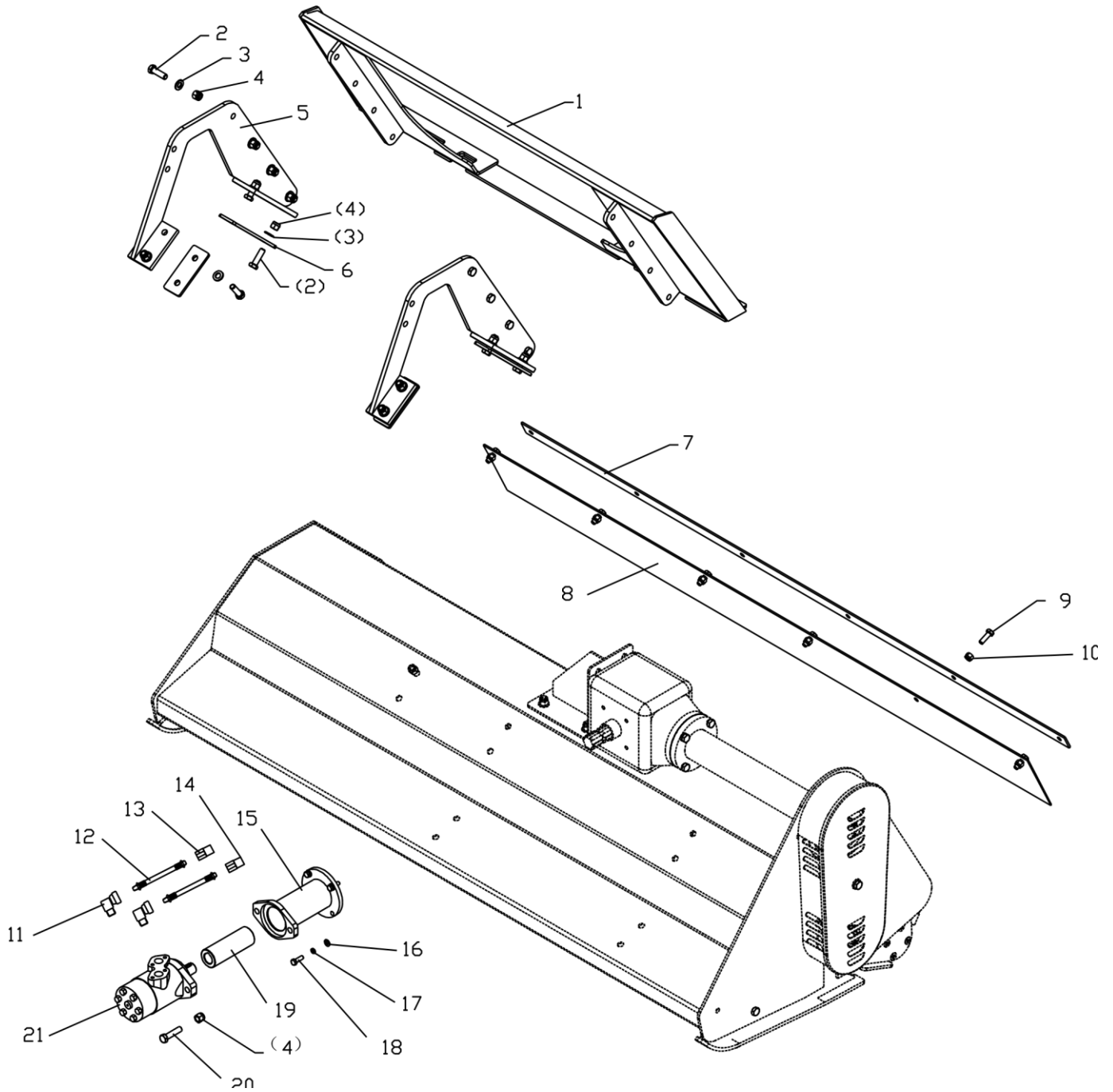
|    |                      |                           |              |
|----|----------------------|---------------------------|--------------|
| 22 | EFGC125.111          | Supporting frame          | 1            |
| 23 | EFGC125.014          | Base plate (L)            | 1            |
| 24 | EFGC125.012          | Belt cover                | 1            |
| 25 | GB96-85/12           | Plain washer 12           | 5            |
| 26 | GB5782-86/M12X80     | Bolt M12x80               | 1            |
| 27 | GB13871-94/55X80X8   | Oil seal FB55X80X8        | 1            |
| 28 | EFGC125.116          | Oil-sealing sleeve        | 1            |
| 29 | EFGC125.117          | Small belt ptley          | 1            |
| 30 | JB/T7934Z3/35X60     | Swellable sleeve          | 2            |
| 31 | GB1152-89/M8X1       | Oil cup M8X1              | 2            |
| 32 | EFGC125.105          | Supporting for roller (R) | 1            |
| 33 | GB2673-86/M8X25      | Hex.head bolt M8X25       | 10           |
| 34 | GB6184-86/M8         | Locking nut M8            | 2            |
| 35 | EFGC125.107          | Bearing                   | 2            |
| 36 | GB5782-86/M16X1.5X85 | Bolt M16x1.5x85           | 20(SEFGC125) |
|    |                      |                           | 24(SEFGC145) |

|    |             |                   |              |
|----|-------------|-------------------|--------------|
|    |             |                   | 24(SEFGC155) |
|    |             |                   | 28(SEFGC165) |
|    |             |                   | 28(SEFGC175) |
| 37 | EFGC125.122 | Blade (or Hammer) | 40(SEFGC125) |
|    |             |                   | 48(SEFGC145) |
|    |             |                   | 48(SEFGC155) |
|    |             |                   | 56(SEFGC165) |
|    |             |                   | 56(SEFGC175) |
| 38 | EFGC125.119 | Sleeve            | 40(SEFGC125) |
|    |             |                   | 48(SEFGC145) |
|    |             |                   | 48(SEFGC155) |
|    |             |                   | 56(SEFGC165) |
|    |             |                   | 56(SEFGC175) |

|    |                   |                           |              |
|----|-------------------|---------------------------|--------------|
| 39 | GB6184-86/M16X1.5 | Locking nut M16X1.5       | 20(SEFGC125) |
|    |                   |                           | 24(SEFGC145) |
|    |                   |                           | 24(SEFGC155) |
|    |                   |                           | 28(SEFGC165) |
|    |                   |                           | 28(SEFGC175) |
| 40 | EFGC125.016       | Mud shield                | 1            |
| 41 | EFGC125.017       | Roller weldment           | 1            |
| 42 | UC205             | Flange UC205              | 2            |
| 43 | GB1152-89/M6      | Oil cup M6                | 2            |
| 44 | EFGC125.106       | Supporting for roller (L) | 1            |
| 45 | GB5783-86/M12X30  | Bolt M12x30               | 23           |

|    |                      |                       |    |
|----|----------------------|-----------------------|----|
| 46 | EFGC125.018          | Blade axle weldment   | 1  |
| 47 | UC207-Z              | Flange UC207-Z        | 2  |
| 48 | EFGC125.115          | Bearing               | 2  |
| 49 | GB93-87/12           | Spring washer 12      | 12 |
| 50 | SEFGC175.1001.100    | The cover weldment    | 1  |
| 51 | EFGC125.015          | Base plate (R)        | 1  |
| 52 | GB6173-86/M16x1.5    | Nut M16x1.5           | 1  |
| 53 | GB5786-86/M16X1.5X50 | Bolt M16X1.5X50       | 1  |
| 54 | EFGC125.019          | Gearbox assembly      | 1  |
| 55 | GB5783-86/M12X35     | Bolt M12x35           | 8  |
| 56 | GB96-85/8            | Plain washer 8        | 4  |
| 57 | GB93-87/8            | Spring washer 8       | 4  |
| 58 | GB5783-86/M8X20      | Bolt M8x20            | 4  |
| 59 | FM150.120            | Guard shade           | 1  |
| 60 | EFGC125.120          | Tension plate         | 1  |
| 61 | GB6184-86/M14        | Locking nut M14       | 2  |
| 62 | GB97.1-85/14         | Plain washer 14       | 2  |
| 63 | GB5783-86/M14X35     | Bolt M14x35           | 2  |
| 67 | EFGC125.024          | Gearbox seat weldment | 1  |

## **SEFGC Flail Mower Assembly (2)**



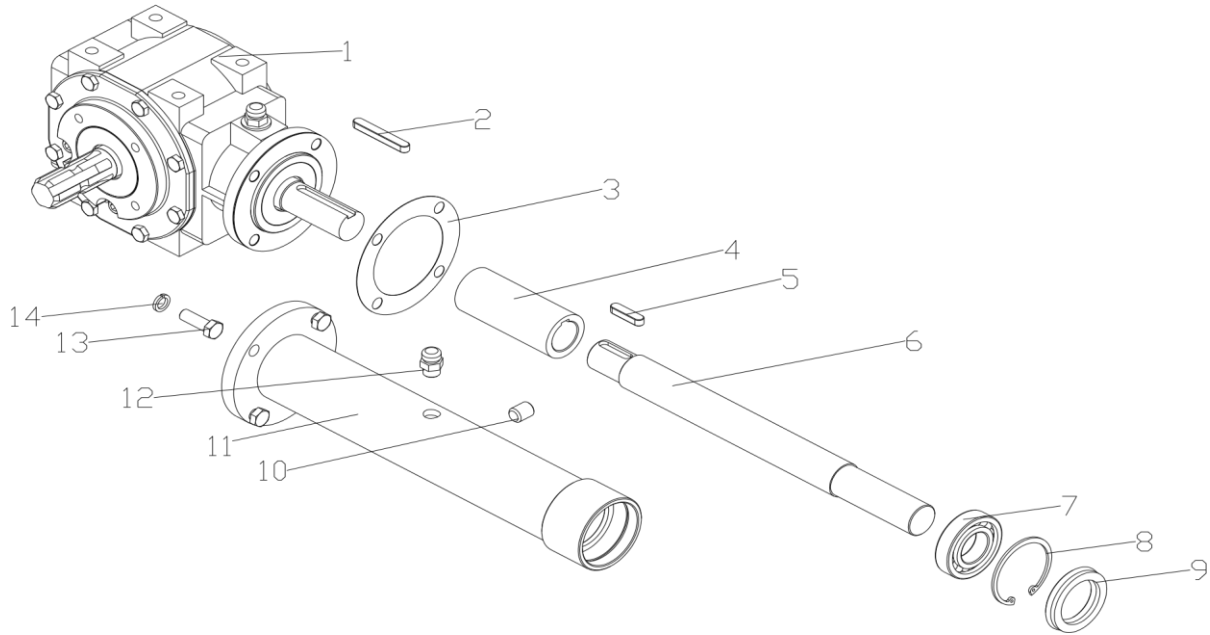
## SEFGC Flail Mower Parts List (2)

| REF | PART NUMBER      | DESCRIPTION      | QTY |
|-----|------------------|------------------|-----|
| 1   | WK124436.001-A   | Skid Steer Qtach | 1   |
| 2   | GB5783-86/M12X30 | Bolt M12x40      | 16  |
| 3   | GB97.1-85/12     | Plain washer 12  | 16  |

|    |                   |                             |    |
|----|-------------------|-----------------------------|----|
| 4  | GB889.1-2000/M12  | Nut M12                     | 18 |
| 5  | SEFGC175.1001.200 | Articulated plate weldment  | 2  |
| 6  | SEFGC175.1001.001 | Plate                       | 2  |
| 7  | DP175.016         | Press plate                 | 1  |
| 8  | DP175.105         | Rubber plate                | 1  |
| 9  | GB5783-86/M10X30  | Bolt M10x30                 | 6  |
| 10 | GB889.1-2000/M10  | Nut M10                     | 6  |
| 11 | WX310.016         | Right Angle joint R1/2-G1/2 | 2  |
| 12 | WX410.016         | Feed tubing                 | 2  |
| 13 | WX410.017         | Quick connector female      | 1  |
| 14 | WX410.018         | Quick connector male        | 1  |
| 15 | SEFGC175.1000.200 | Flange weldment             | 1  |
| 16 | GB97.1-85/8       | Plain washer8               | 4  |
| 17 | GB93-87/8         | Spring washer8              | 4  |
| 18 | GB5783-86/M8X25   | Bolt M8x25                  | 4  |
| 19 | SEFGC175.1000.100 | Spline weldment             | 1  |
| 20 | GB5783-86/M12X50  | Bolt M12x50                 | 2  |
| 21 |                   | Motor BM2                   | 1  |

## Transmission Assembly

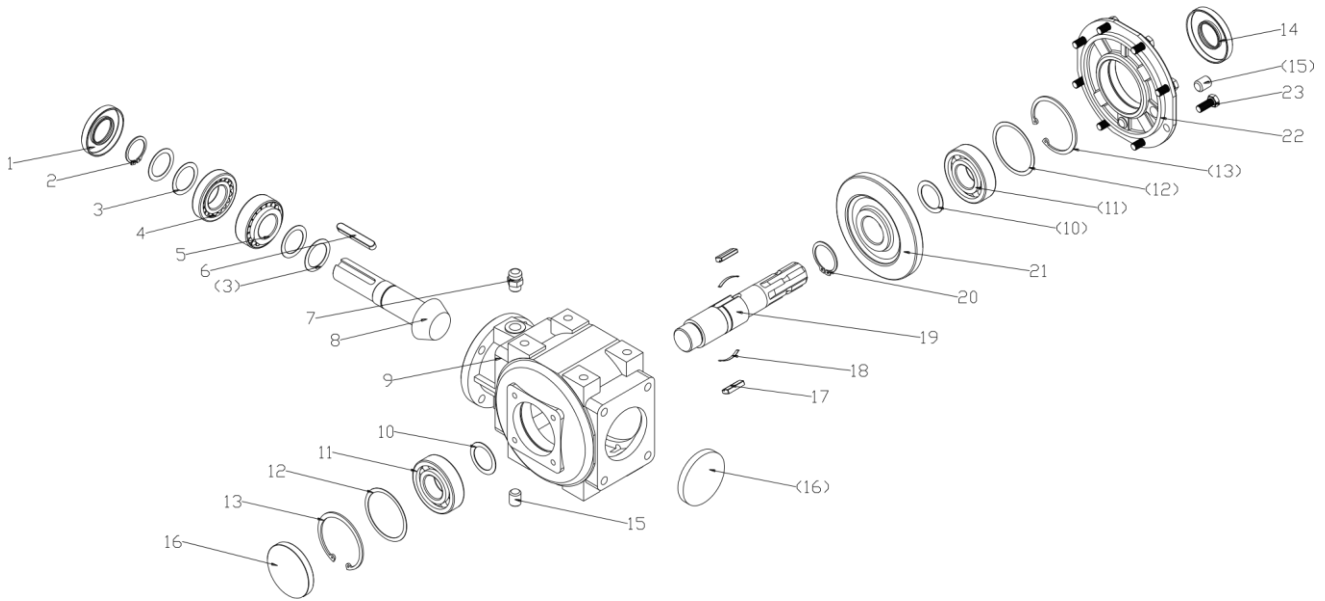




## Transmission Assembly Parts List

| REF | PART NUMBER         | DESCRIPTION                  | QTY |
|-----|---------------------|------------------------------|-----|
| 1   | TS50.300Z.02        | Gearbox assembly             | 1   |
| 2   | GB1096-79/A10X70    | Key A10X70                   | 1   |
| 3   | EFGC125.166         | Paper gasket                 | 1   |
| 4   | EFGC125.167         | Connected sleeve             | 1   |
| 5   | GB1096-79/A10X40    | Key A10X40                   | 1   |
| 6   | EFGC125.168         | Shaft                        | 1   |
| 7   | GB/T276-94/6207     | Bearing 6207                 | 1   |
| 8   | GB893.1-86/72       | Circlip 72                   | 1   |
| 9   | GB13871-94/35X72X10 | Oil seal 35x72x10            | 1   |
| 10  | ZBT 32001.3-87      | Retainer                     | 1   |
| 11  | EFGC125.020         | Shaft tube weldment          | 1   |
| 12  | EFGC125.169         | Bolt of plug screw ZG3/8"-19 | 1   |
| 13  | GB5783-86/M12X35    | Bolt M12X35                  | 4   |
| 14  | GB93-87/12          | Spring washer 12             | 12  |

# Gearbox



## Gearbox Parts List

| REF | PART NUMBER          | DESCRIPTION                  | QTY |
|-----|----------------------|------------------------------|-----|
| 1   | GB9877.1-88/35X72X10 | Oil seal 35x72x10            | 1   |
| 2   | GB894.1-89/35        | Circlips for shaft 35        | 1   |
| 3   | TS50.300Z.01.110     | Washer (S) 0.7               | 4   |
| 4   | GB297-94/30207       | Bearing 30207                | 1   |
| 5   | GB297-94/32207       | Bearing 32207                | 1   |
| 6   | GB1096-79/10X65      | Key 10X65                    | 1   |
| 7   | EFGC125.169          | Bolt of plug screw ZG3/8"-19 | 1   |
| 8   | TS50.300Z.01.111     | Bevel gear shaft             | 1   |
| 9   | TS50.300Z.01.101     | Gearbox complete             | 1   |
| 10  | TS50.300Z.01.105     | Washer (S) 1                 | 2   |
| 11  | GB/T276-94/6307      | Bearing 6307                 | 2   |
| 12  | TS50.300Z.01.104     | Washer (B) 0.7               | 2   |

|    |                      |                       |   |
|----|----------------------|-----------------------|---|
| 13 | GB893.1-86/80        | Circlips for hole 80  | 2 |
| 14 | GB9877.1-88/35X80X10 | Oil seal 35×80×10     | 1 |
| 15 | ZBT 32001.3-87       | Retainer              | 1 |
| 16 | TS50.300Z.01.106     | Seal cover            | 2 |
| 17 | TS50.300Z.01.108     | Key                   | 2 |
| 18 | TS50.300Z.01.109     | Spring                | 2 |
| 19 | TS50.300Z.01.103     | Pinion shaft          | 1 |
| 20 | GB894.1-89/42        | Circlips for shaft 42 | 1 |
| 21 | TS50.300Z.01.107     | Bevel gear            | 1 |
| 22 | TS50.300Z.01.102     | Gearbox cover         | 1 |
| 23 | GB5783-86/M10X25     | Bolt M18x40           | 8 |