

# 48" LIGHT-DUTY GRAPPLE RAKE FITS JOHN DEERE TRACTORS

---

JDLDRAKE48

113118

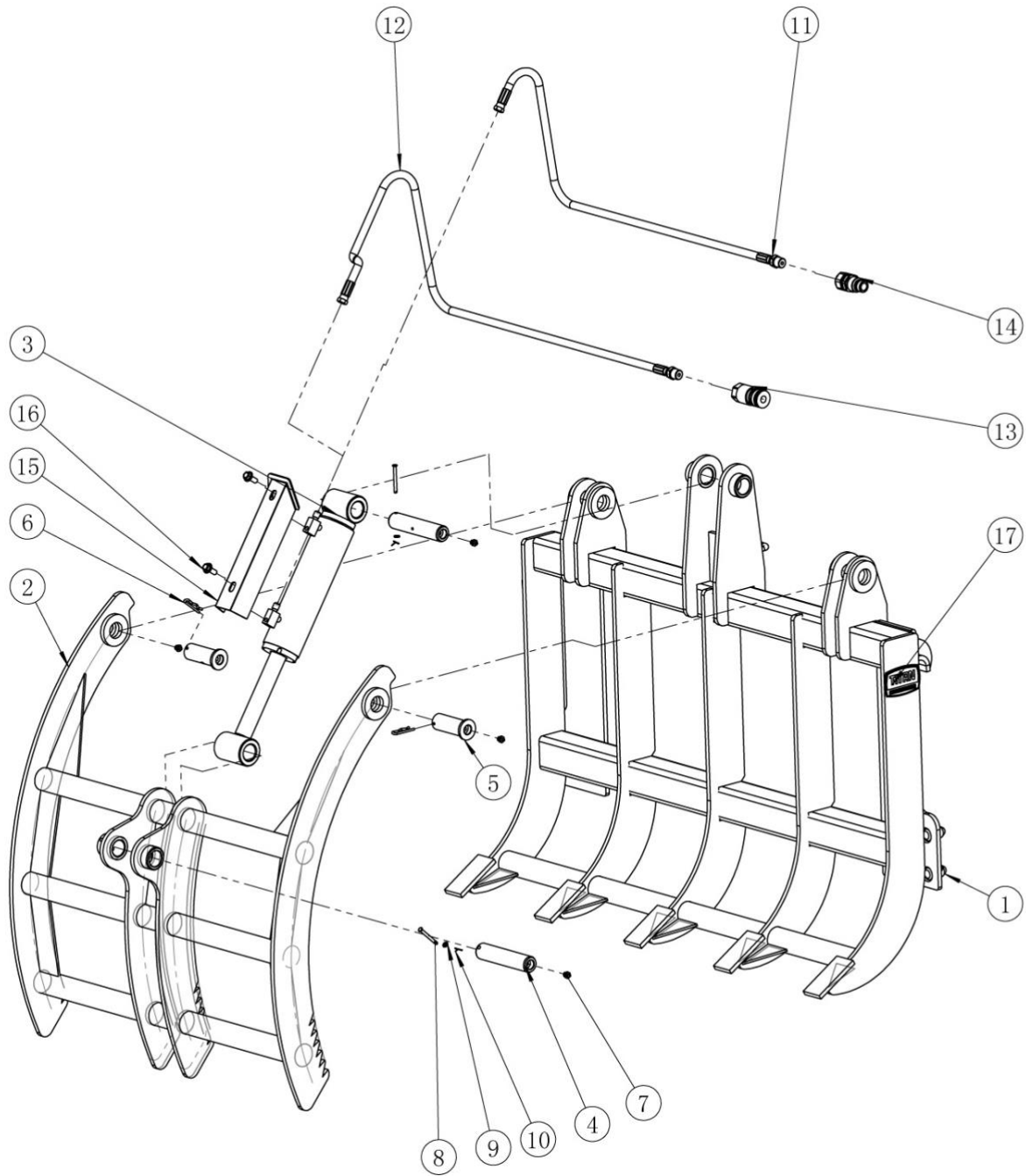


## Operator's Manual



Read the Operator's Manual entirely. When you see this symbol, the subsequent instructions and warnings are serious follow without exception. Your life and the lives of others depend on it!

PARTS DIAGRAM / EXPLODED VIEW



## PARTS DIAGRAM LIST

---

KEY	DESCRIPTION	QTY
(1)	LOWER JAW	1
(2)	UPPER JAW	1
(3)	CYLINDER	1
(4)	CYLINDER PIN (R72-025)	2
(5)	JAW PIN (LDRAKE48)	2
(6)	COTTER PIN 4x50	2
(7)	GREASE ZERK	4
(8)	LOCK PIN (A6x60)	2
(9)	FLAT WASHER M6	2
(10)	COTTER PIN 1.6x29	2
(11)	OIL HOSE-FEED	1
(12)	OIL HOSE-RETURN	1
(13)	PIONEER COUPLER-F	1
(14)	PIONEER COUPLER-M	1
(15)	CYLINDER SHIELD	1
(16)	HEXA FLANGED BOLT M10x25	2
(17)	TITAN LOGO	2

## ASSEMBLY INSTRUCTIONS

---

- This product is shipped in full assembly. No assembling is needed.

## **ACKNOWLEDGEMENT OF RISK AND RELEASE OF LIABILITY**

---

The use of any equipment, including this one, involves the potential risk of injury. Apart from any warranty claim that might be presented for a claimed defect in material or workmanship of the product, you accept and assume full responsibility for any and all injuries, damages (both economic and non-economic), and losses of any type, which may occur, and you fully and forever release and discharge Titan, its insurers, employees, officers, directors, associates, and agents from any and all claims, demands, damages, rights of action, or causes of action, present or future, whether the same be known or unknown, anticipated, or unanticipated, resulting from or arising out of the use of said equipment.

This equipment must be used with care by capable and competent individuals under supervision, if necessary.

## **TITAN LIMITED WARRANTY: TERMS, EXCLUSIONS AND LIMITATIONS OF REMEDIES**

---

This product comes with a one (1) year limited warranty that can be found at [www.palletforks.com/warranty.html](http://www.palletforks.com/warranty.html). Please review the same for all details regarding the Titan Limited Warranty.

**THE TITAN LIMITED WARRANTY FOUND AT [WWW.PALLETFORKS.COM/WARRANTY.HTML](http://WWW.PALLETFORKS.COM/WARRANTY.HTML) IS EXCLUSIVE AND IS IN LIEU OF ALL OTHER WARRANTIES, EXPRESS OR IMPLIED, INCLUDING ANY IMPLIED WARRANTY OF MERCHANTABILITY AND/OR FITNESS FOR A PARTICULAR PURPOSE, EACH OF WHICH IS HEREBY DISCLAIMED.**



**NEED HELP? CONTACT US FIRST.**

**1-800-605-7595**

[info@palletworks.com](mailto:info@palletworks.com)  
[www.palletforks.com](http://www.palletforks.com)

© 2021 Titan Brands