

10' SNOW PUSHER

SP10-P170100-2289

170101

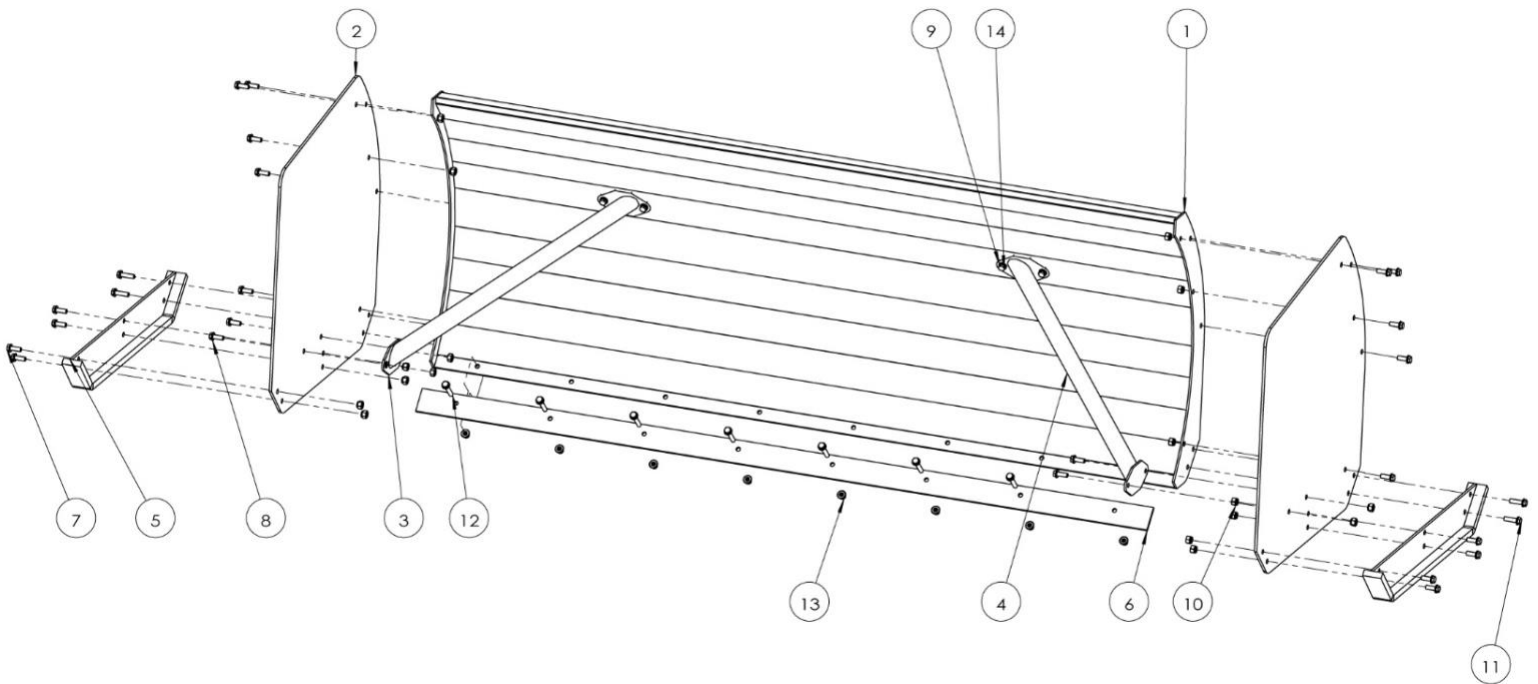


Operator's Manual



Read the Operator's Manual entirely. When you see this symbol, the subsequent instructions and warnings are serious follow without exception. Your life and the lives of others depend on it!

PARTS DIAGRAM / EXPLODED VIEW



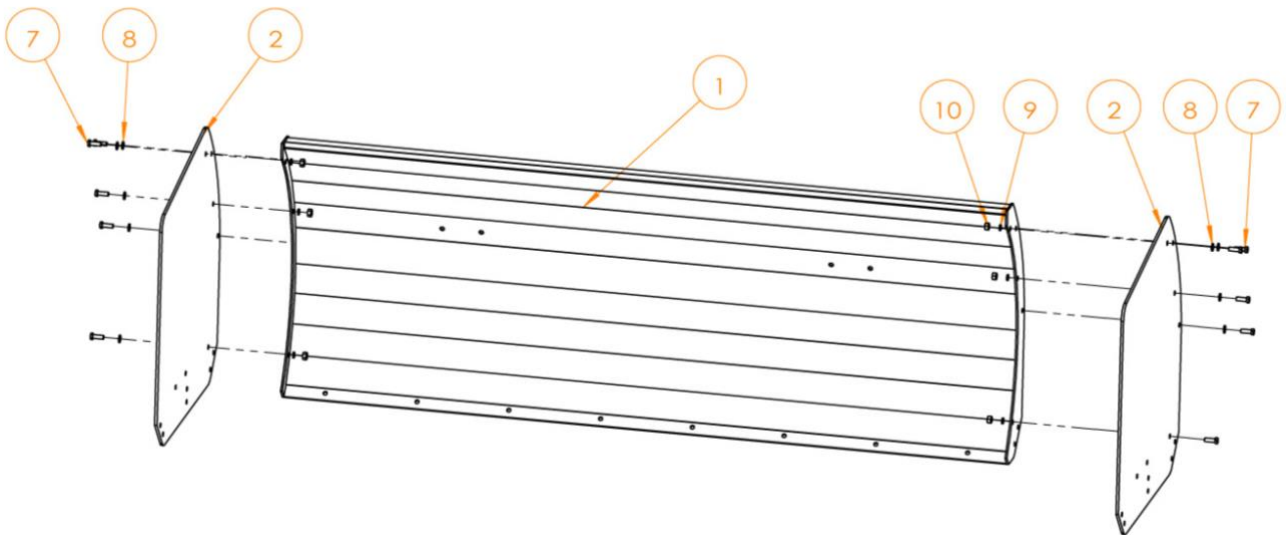
KEY	DESCRIPTION	QTY
(1)	PUSHER BLADE WELDMENT	1
(2)	SIDE PANEL	2
(3)	STRUT SUPPORT BAR - LEFT	1
(4)	STRUT SUPPORT BAR - RIGHT	1
(5)	SKID SHOE	2
(6)	RUBBER BLADE RETAINER BAR	1
(7)	HEX BOLT M12x35	22
(8)	FLAT WASHER M12	22
(9)	SPRING WASHER M12	38
(10)	HEX NUT M12	26
(11)	HEX BOLT M12x45	4
(12)	HEX BOLT M12x70	8
(13)	HEX FLANGED LOCK NUT M12	8
(14)	HEX BOLT M12x30	4

ASSEMBLY INSTRUCTIONS

SPECIAL NOTES:

- **Build on flat and level ground**
- **Avoid tightening bolts down completely until the rack is fully assembled**

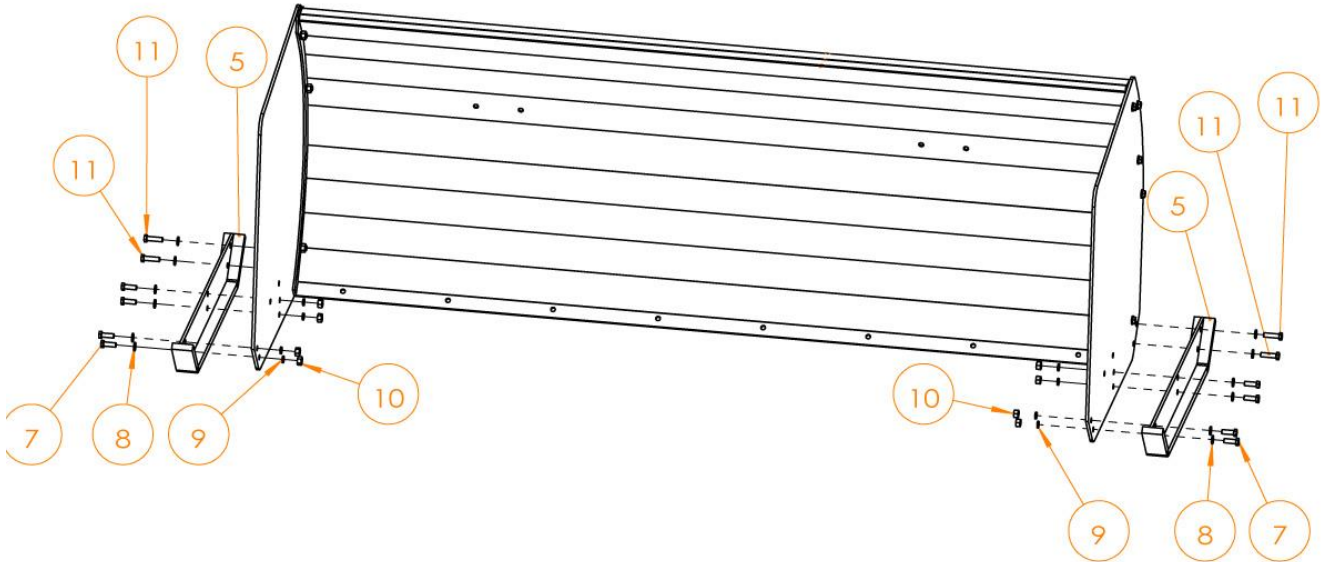
STEP 1



- Attach **SIDE PANEL (2)** onto **PUSHER BLADE WELDMENT (1)** using **HEX BOLT M12x35 (7)**, **FLAT WASHER M12 (8)**, **SPRING WASHER M12 (9)**, and **HEX NUT M12 (10)**. The order of assembling is to push **HEX BOLT M12x35 (7)** through **FLAT WASHER M12 (8)** and holes of Side Panel and Pusher Blade, and then place **SPRING WASHER M12 (9)**, and **HEX NUT M12 (10)** onto the end of the bolt. Fasten but do not tighten. Do this for both the left and right-Side Panels.

ASSEMBLY INSTRUCTIONS

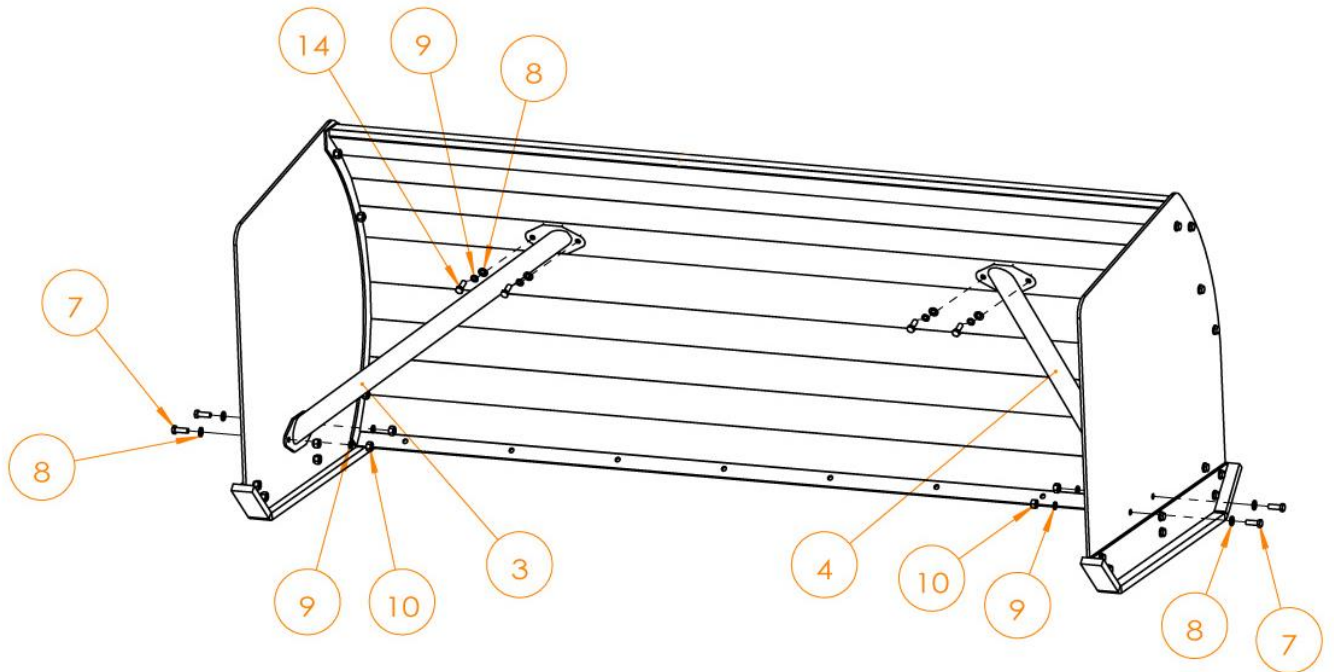
STEP 2



- Attach the rear side of **SKID SHOE (5)** onto **PANEL (2)** using **HEX BOLT M12x45 (11)**, **FLAT WASHER M12 (8)**, **SPRING WASHER M12 (9)**, and **HEX NUT M12 (10)**. The order of assembling is to push **HEX BOLT M12x45 (11)** through **FLAT WASHER M12 (8)** and holes of Skid Shoe, Side Panel and Pusher Blade, and then place **SPRING WASHER M12 (9)**, and **HEX NUT M12 (10)** onto the end of the bolt. Fasten but do not tighten. Do this for both the left and right Skid Shoes.
- Attach the middle and front side of **SKID SHOE (5)** onto **PANEL (2)** using **HEX BOLT M12x35 (7)**, **FLAT WASHER M12 (8)**, **SPRING WASHER M12 (9)**, and **HEX NUT M12 (10)**. The order of assembling is to push **HEX BOLT M12x35 (7)** through **FLAT WASHER M12 (8)** and holes of Skid Shoe and Side Panel, and then place **SPRING WASHER M12 (9)**, and **HEX NUT M12 (10)** onto the end of the bolt.
- Fasten but do not tighten. Do this for both the left and right Skid Shoes.

ASSEMBLY INSTRUCTIONS

STEP 3

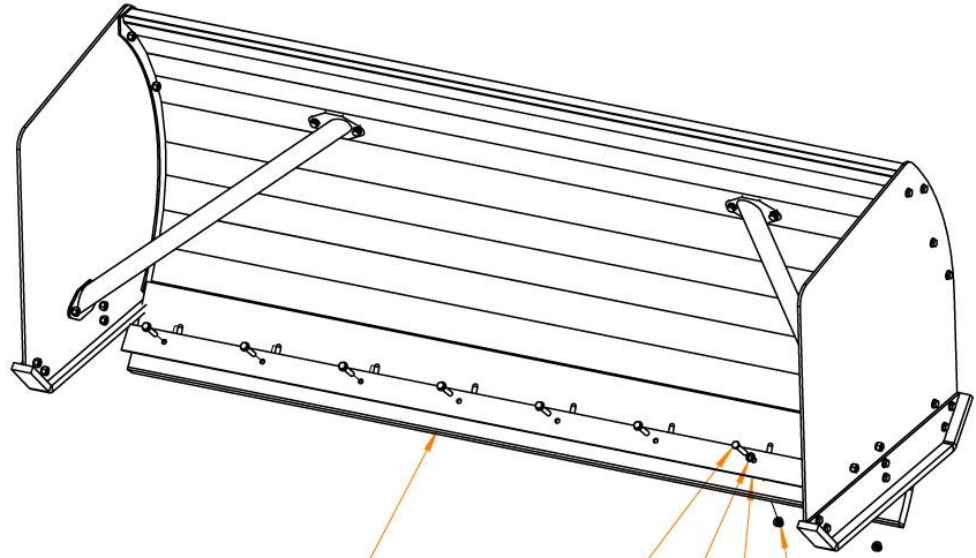


- Attach **STRUT SUPPORT BAR - LEFT (3)** onto **PUSHER BLADE WELDMENT (1)** using **HEX BOLT M12x30 (14)**, **SPRING WASHER M12 (9)**, and **FLAT WASHER M12 (8)**. The order of assembling is to push **HEX BOLT M12x30 (14)** through **SPRING WASHER M12 (9)**, and **FLAT WASHER M12 (8)**, and then align the bolt holes on **PUSHER BLADE WELDMENT (1)**. Fasten but do not tighten.
- Repeat the above procedures for the **STRUT SUPPORT BAR - RIGHT (4)**.
- Attach **STRUT SUPPORT BAR - LEFT (3)** onto **PANEL (2)** using **HEX BOLT M12x35 (7)**, **FLAT WASHER M12 (8)**, **SPRING WASHER M12 (9)**, and **HEX NUT M12 (10)**. The order of assembling is to push **HEX BOLT M12x35 (7)** through **FLAT WASHER M12 (8)** and holes of Side Panel, and then place **SPRING WASHER M12 (9)**, and **HEX NUT M12 (10)** onto the end of the bolt. Fasten but do not tighten.
- Repeat the above procedures for the **STRUT SUPPORT BAR - RIGHT (4)**.

ASSEMBLY INSTRUCTIONS

STEP 4

NOTE: Make sure that the Snow pusher is square and tighten all hardware.



Rubber Blade purchased separately



- Install the rubber blade onto Snow Pusher using the **RUBBER BLADE RETAINER BAR (6)** and hardware supplied with SP8 including **HEX BOLT M12x70 (12)**, **FLAT WASHER M12 (8)**, and **HEX FLANGED LOCK NUT M12 (13)**.

ACKNOWLEDGEMENT OF RISK AND RELEASE OF LIABILITY

The use of any equipment, including this one, involves the potential risk of injury. Apart from any warranty claim that might be presented for a claimed defect in material or workmanship of the product, you accept and assume full responsibility for any and all injuries, damages (both economic and non-economic), and losses of any type, which may occur, and you fully and forever release and discharge Titan, its insurers, employees, officers, directors, associates, and agents from any and all claims, demands, damages, rights of action, or causes of action, present or future, whether the same be known or unknown, anticipated, or unanticipated, resulting from or arising out of the use of said equipment.

This equipment must be used with care by capable and competent individuals under supervision, if necessary.

TITAN LIMITED WARRANTY: TERMS, EXCLUSIONS AND LIMITATIONS OF REMEDIES

This product comes with a one (1) year limited warranty that can be found at www.palletforks.com/warranty.html. Please review the same for all details regarding the Titan Limited Warranty.

THE TITAN LIMITED WARRANTY FOUND AT WWW.PALLETFORKS.COM/WARRANTY.HTML IS EXCLUSIVE AND IS IN LIEU OF ALL OTHER WARRANTIES, EXPRESS OR IMPLIED, INCLUDING ANY IMPLIED WARRANTY OF MERCHANTABILITY AND/OR FITNESS FOR A PARTICULAR PURPOSE, EACH OF WHICH IS HEREBY DISCLAIMED.



NEED HELP? CONTACT US FIRST.

1-800-605-7595

info@palletworks.com
www.palletforks.com

© 2021 Titan Brands