

3 PT SNOW BLOWERS

SNWBLW120, SNWBLW150, SNWBLW180
170311, 170312, 170313



Operator's Manual



Read the Operator's Manual entirely. When you see this symbol, the subsequent instructions and warnings are serious follow without exception. Your life and the lives of others depend on it!

WARNING



- Please read the product manual completely before assembly
- Check against the parts list to make sure all parts are received
- Wear proper safety goggles or other protective gears while in assembly

Missing parts or questions on assembly?

Please call: 800-605-7595 or email: info@palletforks.com

SAFETY INSTRUCTIONS

Remember, YOU are the key to safety. Good safety practices not only protect you, but also the people around you. Make these practices a working part of your safety program. Be certain that everyone operating this equipment is familiar with the recommended operating and maintenance procedures and follows all the safety precautions. Most accidents can be prevented. Do not risk injury or death by ignoring good safety practices.

The alert symbol is used throughout this manual. It indicates attention is required and identifies hazards. Follow the recommended precautions.



The safety alert symbol means...

ATTENTION! BECOME ALERT! YOUR SAFETY IS INVOLVED!



CAUTION

The caution symbol indicates a potentially hazardous situation that, if not avoided, may result in minor or moderate injury. It may also be used to alert against unsafe practices.



WARNING

The Warning Symbol indicates a potentially hazardous situation that, if not avoided, could result in death or serious injury, and includes hazards that are exposed when guards are removed. It may also be used to alert against unsafe practices.



DANGER

The Danger Symbol indicates an imminently hazardous situation that, if not avoided will result in death or serious injury. This signal word is to be limited to the most extreme situations, typically for machine components that, for functional purposes, cannot be guarded.

GENERAL SAFETY INSTRUCTIONS

- Have a first-aid kit available for use and know how to use it.
- Have a fire extinguisher available, stored in a highly visible location, and know how to use it.
- Wear appropriate protective gear. This list may include but is not limited to:
 - hard hat
 - protective shoes with slip resistant soles
 - protective glasses or goggles
 - heavy gloves
 - wet weather gear
 - hearing protection
 - respirator or filter mask
- Read and understand the Operator's Manual and all safety signs before operating, servicing, adjusting, repairing, or unplugging the equipment.
- Do not attempt any unauthorized modifications to your Farm King product as this could affect function or safety, and could affect the life of the equipment.
- Never start or operate the snow blower except from the operator's station on the power unit.
- Inspect and clean the working area before operating.
- Keep hands, feet, clothing, and hair away from moving parts.
- Ensure bystanders are clear of the area before operating.

START-UP SAFETY

- Do not let inexperienced operators or children run this equipment.
- Place all tractor and machine controls in neutral before starting.
- Operate only with ROPS and seatbelt equipped tractors.
- Do not operate inside a building unless there is adequate ventilation.
- Ensure all shields are in place and in good condition before operating.
- Stay clear of PTO shaft and machine when engaging PTO.

OPERATION SAFETY

- Do not permit riders.
- Do not wear loose fitting clothing during operation.
- Do not allow anyone other than the operator close to the Auger when in operation.
- Stay clear of snow blower augers.
- Stay clear of snow blower discharge chute. Rocks or debris can be picked up and thrown.
- Never operate over 540 PTO rpm speed.
- Never operate equipment in the raised position.

TRANSPORT SAFETY

- Review Transport Safety instructions in tractor manual before moving.
- Check with local authorities regarding transport on public roads. Obey all applicable laws and regulations.
- Make sure the SMV (Slow Moving Vehicle) emblem and all the lights and reflectors that are required by the local highway and transport authorities are in place, are clean, and can be seen clearly by all overtaking and oncoming traffic.

- Never have the equipment in operation during transport.
- Always travel at a safe speed.

SERVICE AND MAINTENANCE SAFETY

- Stop engine, set brake, remove ignition key, and wait for all moving parts to stop before servicing, adjusting, repairing, or unplugging.
- Support the equipment with blocks or safety stands before working beneath it.
- Follow good shop practices including:
 - keep service area clean and dry
 - be sure electrical outlets and tools are properly grounded
 - use adequate light for the job.
- Use only tools, jacks, and hoists of sufficient capacity for the job.
- Replace and secure all shields removed during servicing before operating.
- Use heavy leather gloves to handle sharp objects.
- Check hydraulics regularly for leaks. Use cardboard to look for leaks, and use hand and eye protection.
- Relieve pressure on hydraulic system before repairing or adjusting.

STORAGE SAFETY

- Store the unit in an area away from human activity.
- Do not permit children to play on or around the stored machine.
- Support the frame on stands and blocks to provide a secure base.


SAFETY SIGNS

- The following illustration shows the approximate location and detail of safety signs.
- Keep all safety signs clean and legible and replace any that are damaged or missing.
- When original parts are replaced, any safety signs affixed to those parts should be replaced as well. Replacement safety signs are available from your local dealer.

	! WARNING
	<p style="text-align: center;">AVOID INJURY OR DEATH</p> <p style="text-align: center;">Do not operate with shields removed.</p>

! DANGER

<p style="text-align: center;">ROTATING SHAFT CAN CAUSE SERIOUS INJURY OR DEATH</p> <p style="text-align: center;">Keep shields and guards in place</p>

	! DANGER
	<p style="text-align: center;">AVOID INJURY OR DEATH</p> <ul style="list-style-type: none"> • Stop engine before placing hand in discharge chute • Rotating fan blades can crush & dismember

! WARNING
<p style="text-align: center;">Overspeeding implement PTO can cause serious injury or death.</p> <p style="text-align: center;">Do NOT exceed the PTO speed of <u>540 RPM.</u></p>

! WARNING

<p style="text-align: center;">AVOID INJURY OR DEATH</p> <p style="text-align: center;">Never direct discharge toward bystanders. Debris can be thrown great distances.</p>

	! DANGER
	<p style="text-align: center;">AVOID INJURY OR DEATH</p> <ul style="list-style-type: none"> • Keep 10 feet (3m) away from machine and attachment when in use.

PACKAGIN LIST AND ASSEMBLY INSTRUCTIONS

1.1 REMOVE AND CHECK

Remove the packing, check goods without defect and omission.

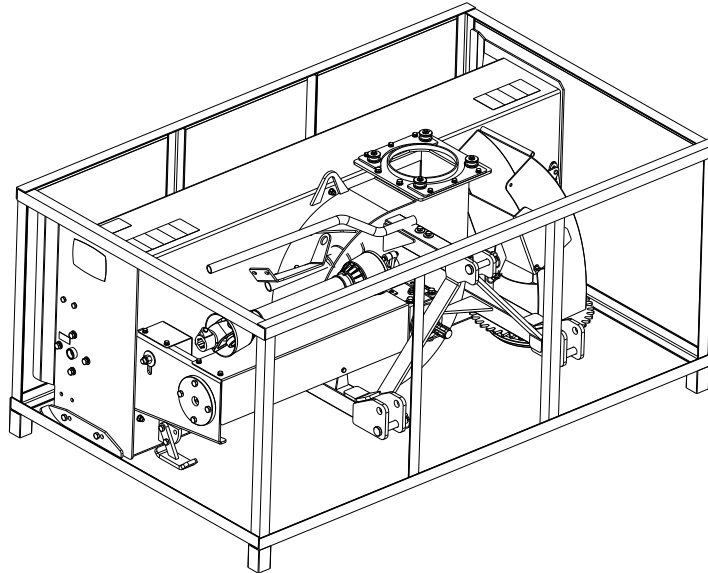


FIGURE 1: *Your New Snow Blower As It Is Shipped To You*

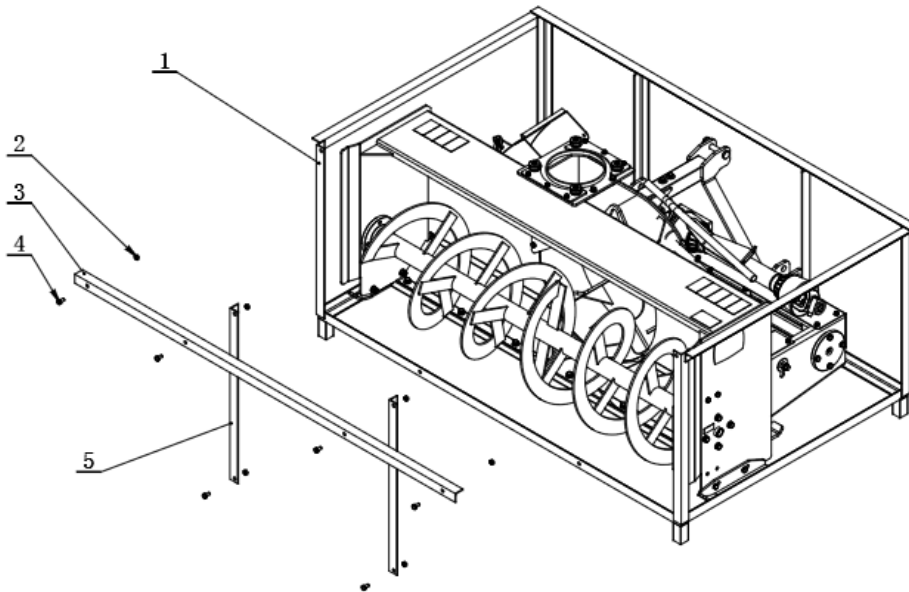


FIGURE 2: *Packaging frame decomposition*

PACKING RACK LIST :

ITEM	DESCRIPTION	QTY	PACKAGE FORM
1	PACKING RACK	1	NONE
2	LOCKNUT M10	6	CRATE ATTACHMENT
3	REMOVABLE ANGLE STEEL	1	CRATE ATTACHMENT
4	BOLT M10X20	6	CRATE ATTACHMENT
5	REMOVABLE ANGLE STEEL	2	CRATE ATTACHMENT

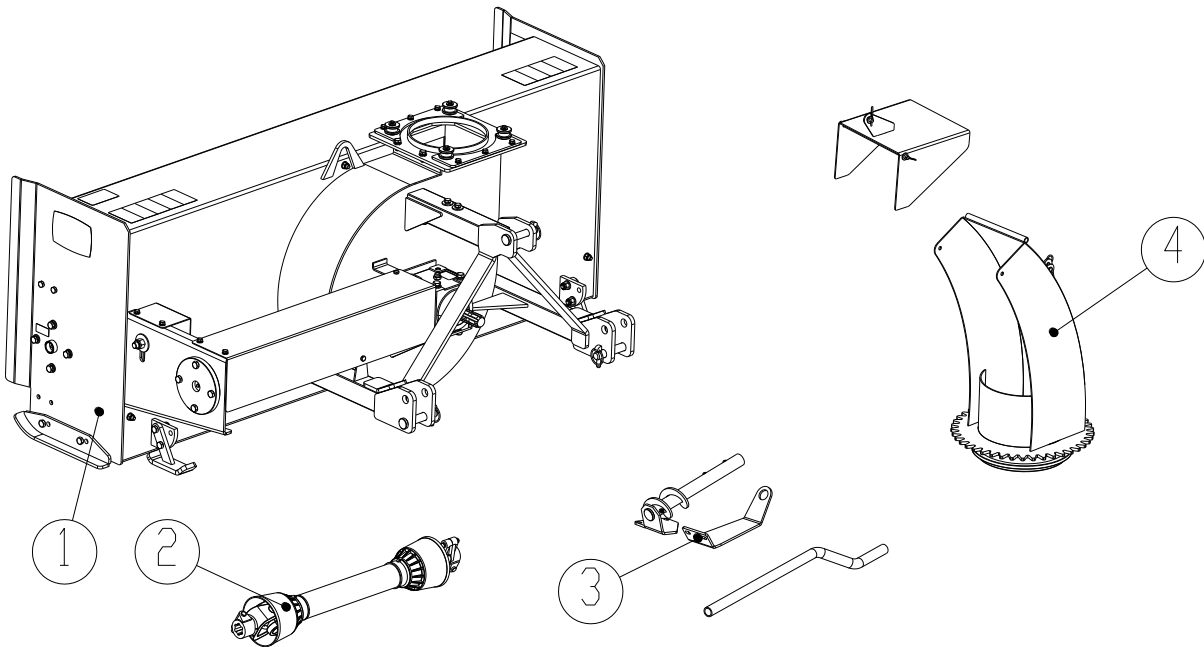


FIGURE 3: *The Snow Blower and Accessory in Package*

1.2 PACKING LIST

The detailed packing list as the following table 1.

ITEM	DESCRIPTION	QTY.	PACKAGE FORM
1	MAIN BODY OF THE SNOW BLOWER	1	NONE
2	SHEAR BOLT DRIVELINE SHAFT	1	BUBBLE FILM
3	HANDLE& REAR BRACKET& SCREW ROD ASSEMBLY	1	BUBBLE FILM
4	DISCHARGE CHUTE ASSEMBLY& SNOW SPRAY MASK ASSEMBLY& FITTINGS	1	BUBBLE FILM

TABLE 1: *Packing List*

⚠ Note

Driveline shaft shall be selected according to the power. If it is too long, please cut it to an appropriate length. The meshing length of the sleeve shall not be less than 100 mm.

The detailed description of Handle& Rear bracket& Screw rod assembly

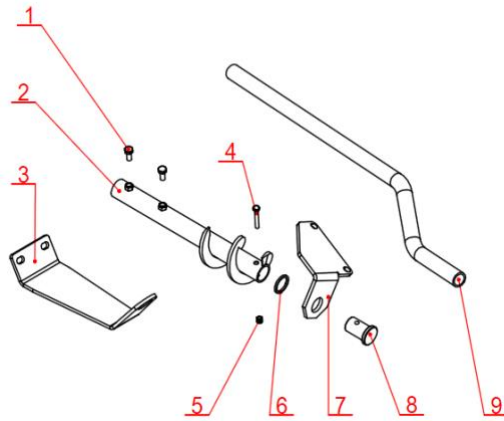


FIGURE 4: Handle& Rear Bracket& Screw Rod Assembly

ITEM	DESCRIPTION	QTY
1	BOLT M8X20	2
2	SCREW ROD WELDMENT	1
3	REAR BRACKET	1
4	BOLT M6X45	1
5	LOCKNUT M6	1
6	WASHER 28	1
7	FRONT BRACKET	1
8	PIN SHAFT	1
9	HANDLE	1

TABLE 2: Handle& Rear bracket& Screw rod assembly List

The detailed description of Discharge Chute, Snow Spray Mask, and fittings assembly

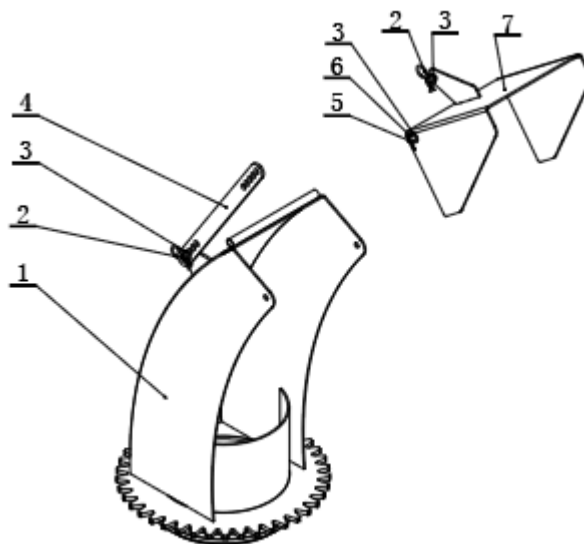


FIGURE 5: Discharge Chute Assembly& Snow Spray Mask, and Fittings assembly

ITEM	DESCRIPTION	QTY
1	DISCHARGE CHUTE WELDMENT	1
2	RPIN	2
3	PLAIN WASHER 10	4
4	ADJUSTING PLATE	1
5	HINGE ROD	1
6	COTTER PIN 2.5X25	2
7	SNOW SPRAY MASK WELDMENT	1

TABLE 3: Discharge Chute Assembly, Snow Spray Mask, Fittings Assembly

INSTALLATION WIZARD

The installation wizard will guide you to finish the final assembly of your new Snow blower.

2.1 TOOL REQUIRED

- 1/2" Ratchet Wrench with 10mm, 14mm, 17mm and 19mm sleeves
- 8-10, 12-14, 17-19 Spanner

2.2 TORQUE APPLICATION

Torque Values Chart for Common Bolt Sizes		
Bolt Size (Metric)	Bolt Head Identification Class 8.8	
	N.m	Ft-lb
M6	9.8	7.2
M8	24.5	18.1
M10	44.1	32.5
M12	78.5	57.9
Torque tolerance +0%, -15% of torquing values. Unless otherwise specified use torque values listed above		

2.3 INSTALLATION

STEP 1: Installing Discharge Chute, Snow Spray Mask, and Fittings assembly

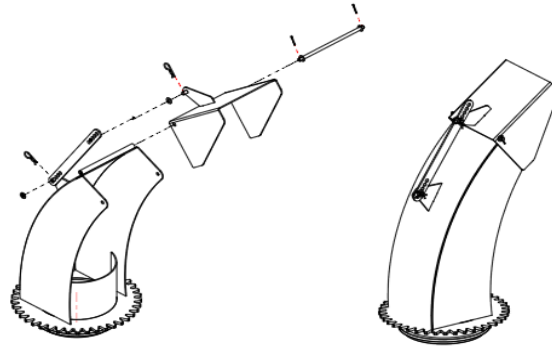


FIGURE 6: *Installing Discharge Chute, Snow Spray Mask, and Fittings assembly*

- a. Install the Discharge chute and Snow spray mask with hinge rod.
- b. Install 2pcs of plain washer 10 and cotter pins onto both side of the hinge rod.
- c. Install the adjusting plate as discharge angle required, then put the flat washer 10 onto the pin shaft. Finally secure with the R pin.
- d. Install above components onto the snow blower as **Figure7**.

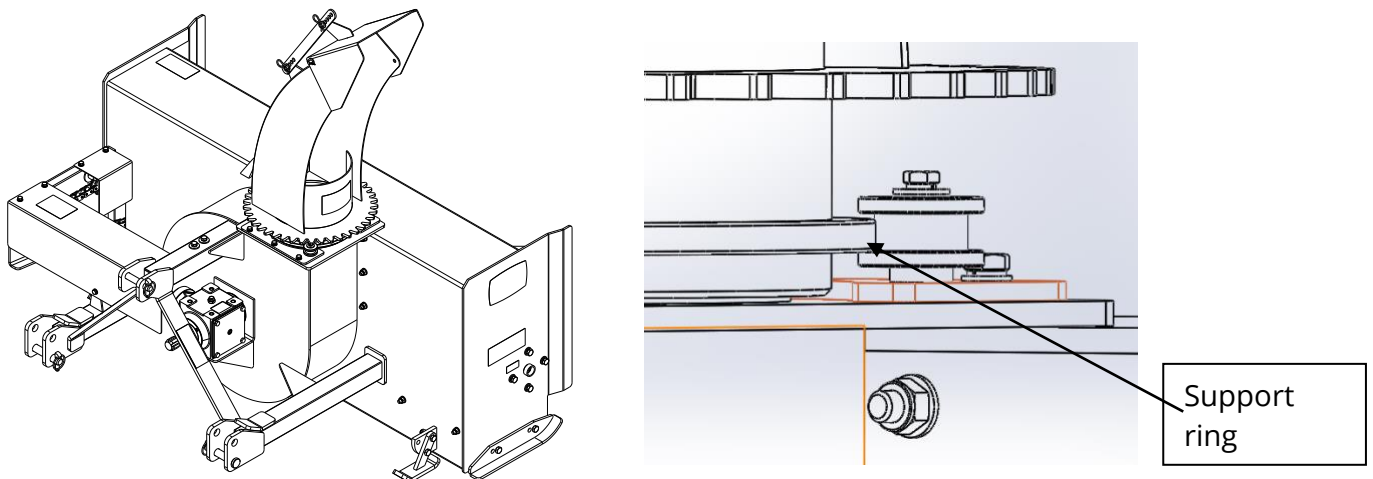


FIGURE 7: *Discharge Chute Assembly, Snow Spray Mask, and Fittings assembly*

⚠ Note: The support ring must be located in the roller groove.

STEP 2: Installing Handle, Rear Bracket and Screw Rod assembly

- a. Locate the front bracket on the position shown in the **Figure 8**, and then fix it with M10x25 bolt, plain washer 10 and spring washer 10

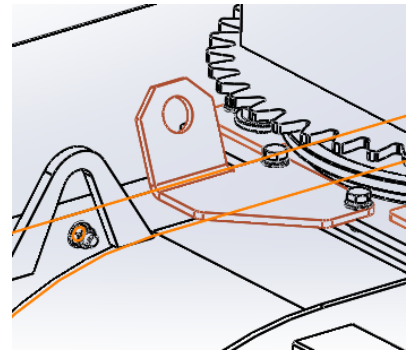


FIGURE 8: *Front bracket installation location*

- b. Locate the Rear bracket on the position shown in the **Figure9**, and then fix it with M10x20 bolt, large plain washer 10 and spring washer 10

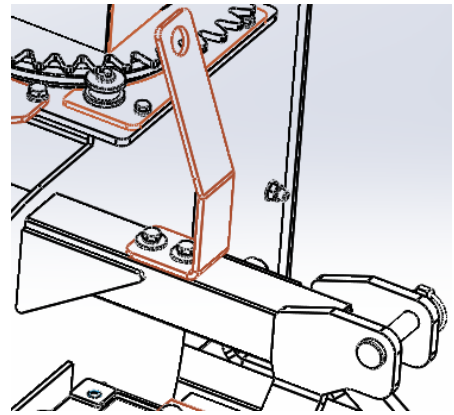


FIGURE 9: *Rear bracket installation location*

- c. Insert the pin shaft into the hole of the front bracket, put the washer 28 into the inner side, and then fix the Screw rod weldment with the pin shaft with the M6x45 bolt and locknut M6;

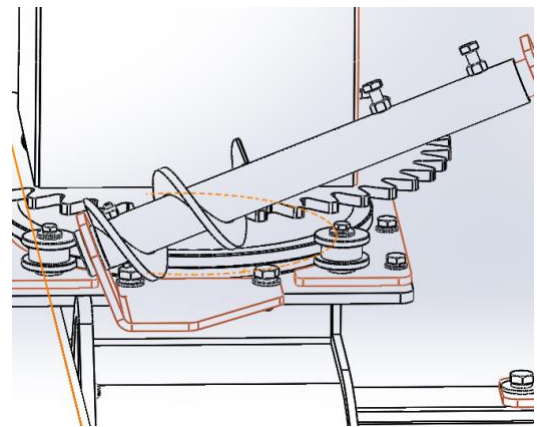


FIGURE 10: *Screw rod weldment installation*

- d. Insert the handle into the hole at the other end of the Screw rod weldment through the rear bracket hole, adjust the length of the handle, screw in the m8x20 bolt and tighten it.

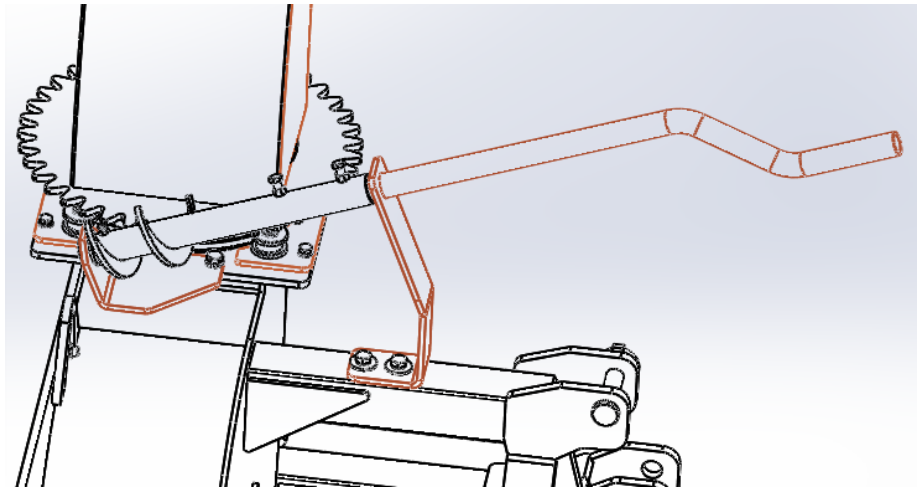


FIGURE 11: *Handle installation*

⚠ Note

Pay attention to the meshing of welding parts and gear disc.

⚠ WARNING

SAE EP 90W Gear oil must be filled before you finish the final assembly and start your first use. Overfilling or underfilling gear oil may cause gearbox seizing or damage.

2.4 Gear Oil Filling

Check oil level in gearbox by removing the cap located on the side of the gearbox. Oil should be level with middle side of plug hole. Add oil necessary by removing top cap and side plug. Add oil until it flows from middle side plug hole.

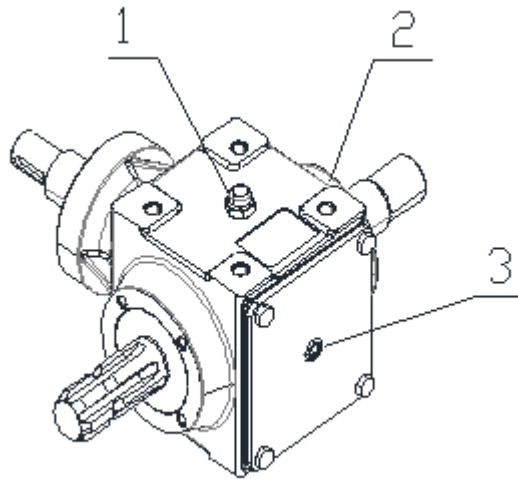
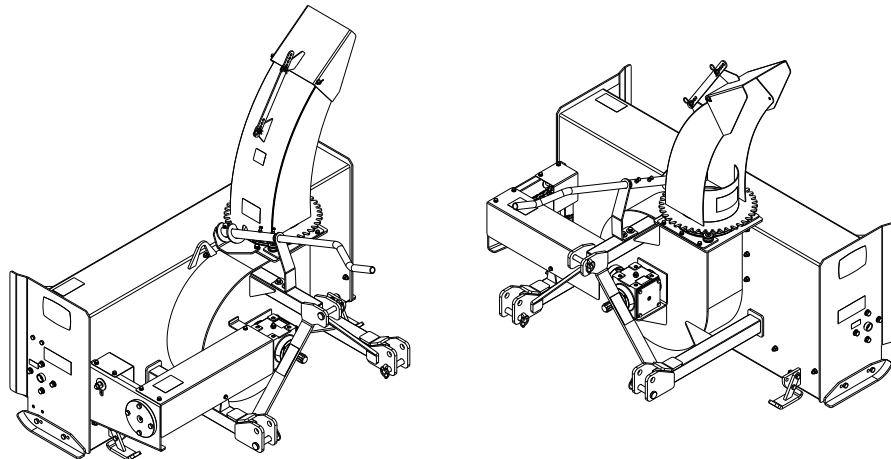


FIGURE 11: *Gearbox construction*

ITEM 1 – Cap For Inlet Gearbox Oil | **ITEM 2** – Gearbox | **ITEM 3** – Plug For Gearbox Oil Level



DRIVELINE INSTALLATION AND SHORTENING

Included with your snowblower is a 43" shear pin PTO driveline. Please follow the below installation instructions. If you find that the driveline is too long, please follow the below shortening instructions to fit the driveline to your tractor.

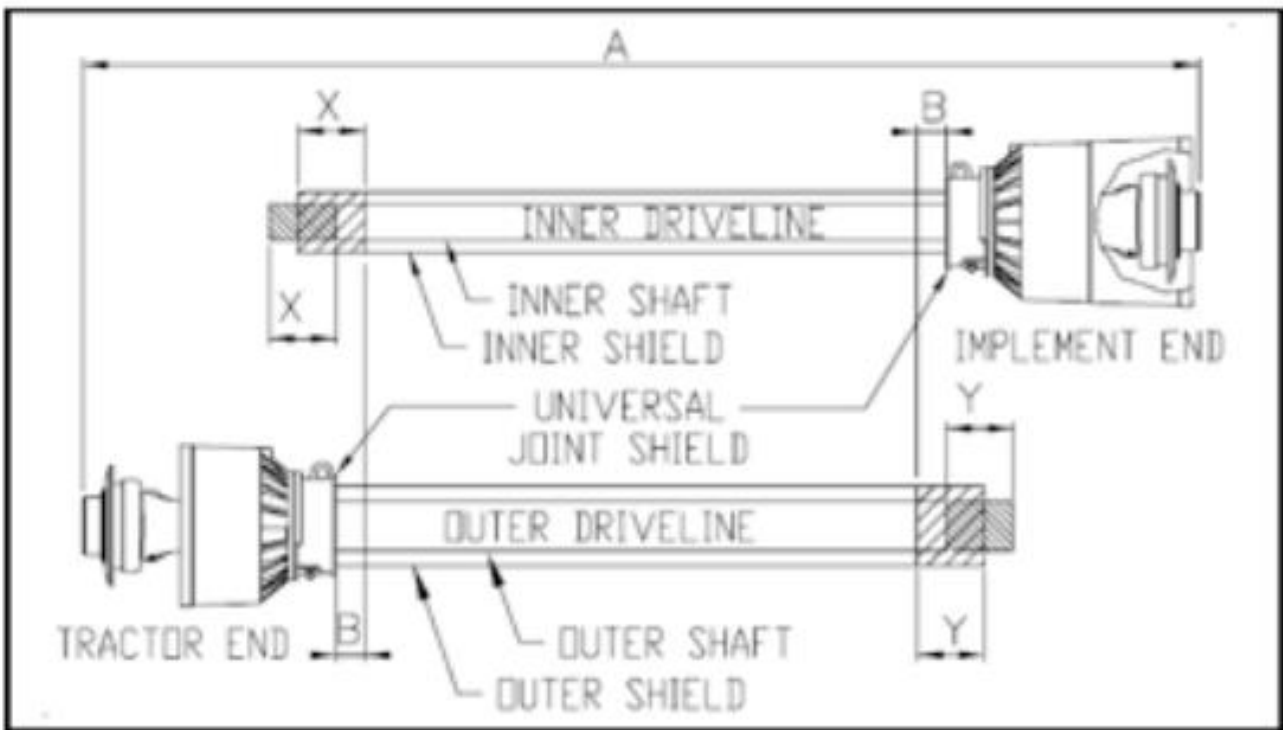


DANGER

Do not engage tractor PTO while hooking-up and unhooking driveline or stand near a rotating driveline. A person's body and /or clothing can become entangled.

1. Ensure Snowblower is properly attached to the tractor's three-point arm.
2. Lower three-point arm slowly until the snowblower contacts the ground.
3. Slide driveline end with extended safety cone over the snowblower's gearbox shaft and secure with locking device of driveline.
4. Slide driveline over tractor's PTO shaft and secure with locking device of driveline.
5. Driveline should now be moved back and forth to ensure that it is securely attached to the tractor's PTO shaft and snowblower's gearbox.
6. Attach chain from the driveline shield to the upper hitch braces of the tractor and the snow blower to ensure that the shield does not rotate.
7. If the driveline does not fit between the tractor and snowblower gearbox (driveline too long), refer to "**Shorten Driveline Length**".

SHORTEN DRIVELINE LENGTH



1. Un-hook the driveline from both the tractor PTO shaft and snowblower gearbox. Place driveline aside.
2. Carefully raise the tractor's three-point arm with attached snowblower until the PTO shaft is level with the snowblower gearbox.



3. Pull the outer and inner drivelines apart.
4. Reattach outer driveline to tractor PTO shaft, and inner driveline to the snowblower gearbox.



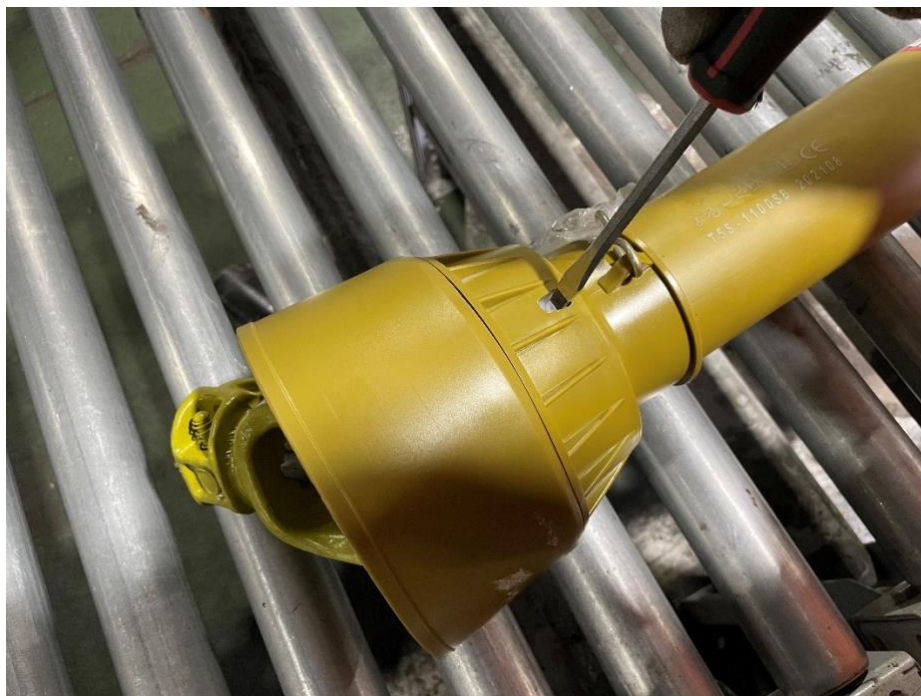
5. Hold inner and outer drivelines parallel to each other, or as close to parallel as possible:
 - a) Measure 1" ("**B**" dimension) back from the outer driveline universal joint shield and make a mark at this location on the inner driveline shield.
 - b) Measure 1" ("**B**" dimension) back from the inner driveline universal joint shield and make a mark at this location on the outer driveline shield.



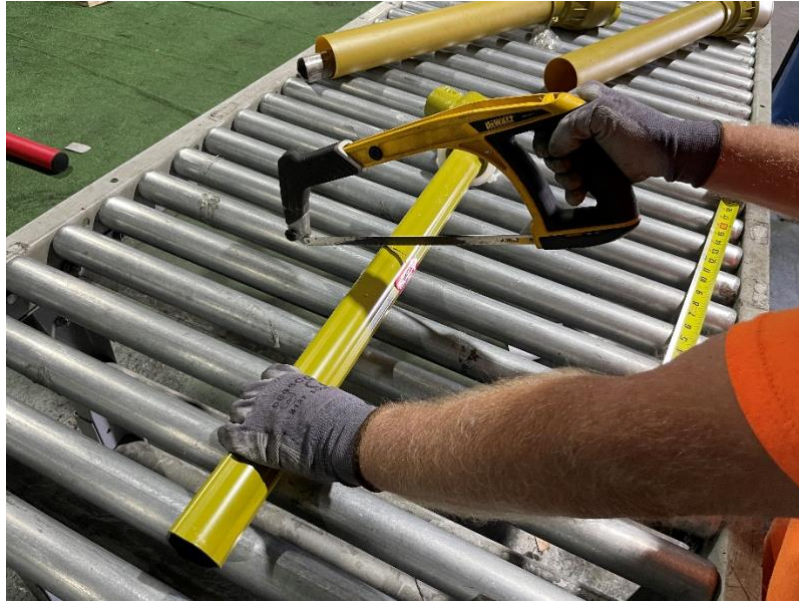
6. Detach the inner and outer drivelines from the tractor PTO and snowblower gearbox shafts.
7. Measure from end of the inner shield to the mark made in step 5.1 and record as **X** dimension.



8. Measure from end of the outer shield to the mark made in step 5.2 and note down as **Y** dimension.
9. Separate the shields from both drivelines by pushing in the three plastic tabs, then sliding the shields off.



10. Cut off inner shield at the mark made during step 5.1. Cut off the same amount from the end of inner shaft ("X" dimension).



11. Cut off outer shield at the mark made during step 5.2. Cut off the same amount from the end of the outer shaft ("Y" dimension).

12. Remove all burrs from the shields and drivelines.

13. Reattach drivelines to their respective shields.



14. Reconnect inner and outer drivelines and reattach to tractor and snowblower. The driveline is now able to be extended and retracted smoothly.



MAINTENANCE AND STORAGE

Regular Maintenance and Lubricate

- Check/Tighten fasteners after the first 2 hours of use and every 10 hours.
- Check and adjust drive chain tension every 20 hours.
- Lubricate PTO shaft driveline every 20 hours.
- Oil drive chain every 10 hours.
- Check gearbox oil every 20 hours.
- Check safety shields before each use.
- Lubricate the bearings #1 & #2(see picture) every 50 hours,

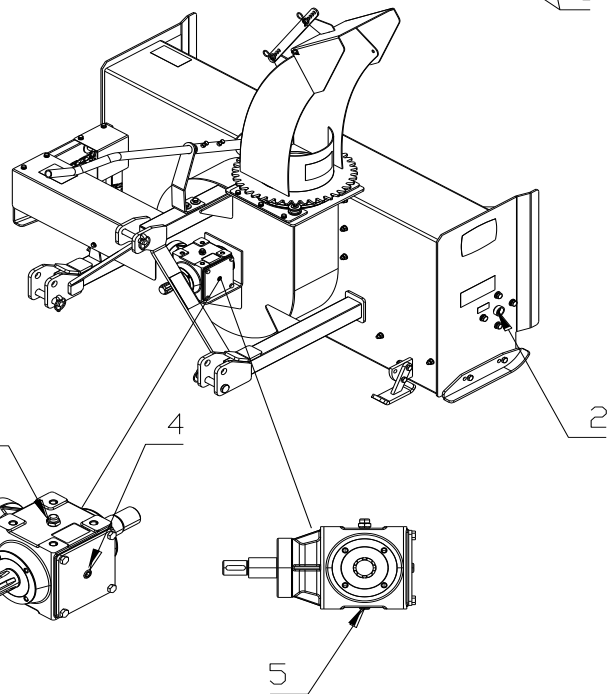
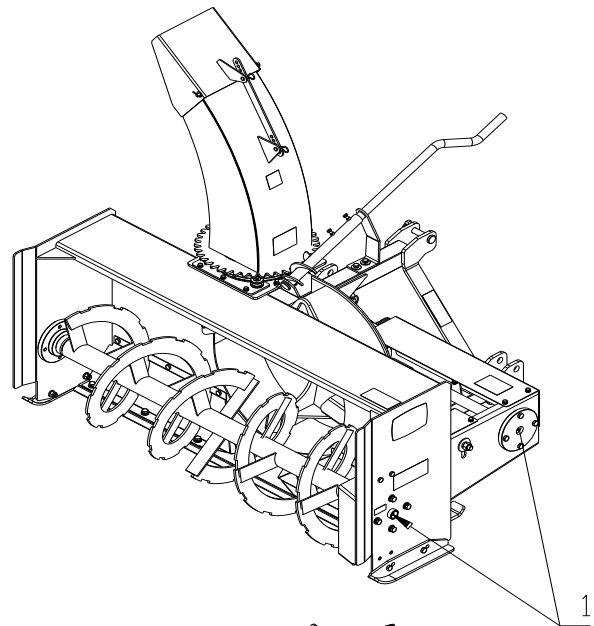
1. Bearing lubricator
2. Bearing lubricator
3. Cap for inlet gearbox oil
4. Cap for gearbox oil level
5. Cap for discharge gearbox oil

STORAGE

At the end of the working season or when the snow blower will not be used for a long period, it is a good practice to clean off any dirt or salt that may have accumulated on the snow blower and any of the moving parts.

Apply a coat of oil to the chain to prevent rust.




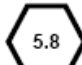
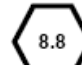
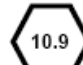
- Detach and store the snow blower in an area where children normally do not play.
- Clean as necessary.
- Check cutting blade for wear and replace if necessary.
- Inspect snow blower for loose, damaged or worn parts and adjust or replace as needed.
- Do not forget to check the safety labels.
- Replace worn labels.
- Store unit inside for longer life.
- Alternatively, cover with a tarp to reduce exposure and prevent weather damage.
- Repaint parts where paint is worn or scratched to prevent rust.
- Storing the snow blower in freezing conditions after use may cause the fan & auger to freeze in place. This may result in breaking PTO shaft shear bolts upon startup.



BOLT TORQUE

The tables shown below give correct torque values for various bolts and cap screws. Tighten all bolts to the torques specified unless otherwise noted. Check tightness of bolts periodically, using bolt torque chart as a guide. Replace hardware with the same strength bolt.

Torque figures indicated above are valid for non-greased or non-oiled threads and heads otherwise specified. Therefore, do not grease or oil bolts or cap screws unless otherwise specified in this manual. When using locking elements, increase torque values by 5%.

Torque Values Chart for Common Bolt Sizes													
Bolt Size (Inches)	Bolt Head Identification						Bolt Size (Metric)	Bolt Head Identification					
	 Grade 2		 Grade 5		 Grade 8			 Class 5.8		 Class 8.8		 Class 10.9	
	in-tpi ¹	N-m ²	ft-lb ³	N-m	ft-lb	N-m		ft-lb	mm x pitch ⁴	N-m	ft-lb	N-m	ft-lb
1/4" - 20	7.4	5.6	11	8	16	12	M 5 X 0.8	4	3	6	5	9	7
1/4" - 28	8.5	6	13	10	18	14	M 6 X 1	7	5	11	8	15	11
5/16" - 18	15	11	24	17	33	25	M 8 X 1.25	17	12	26	19	36	27
5/16" - 24	17	13	26	19	37	27	M 8 X 1	18	13	28	21	39	29
3/8" - 16	27	20	42	31	59	44	M10 X 1.5	33	24	52	39	72	53
3/8" - 24	31	22	47	35	67	49	M10 X 0.75	39	29	61	45	85	62
7/16" - 14	43	32	67	49	95	70	M12 X 1.75	58	42	91	67	125	93
7/16" - 20	49	36	75	55	105	78	M12 X 1.5	60	44	95	70	130	97
1/2" - 13	66	49	105	76	145	105	M12 X 1	90	66	105	77	145	105
1/2" - 20	75	55	115	85	165	120	M14 X 2	92	68	145	105	200	150
9/16" - 12	95	70	150	110	210	155	M14 X 1.5	99	73	155	115	215	160
9/16" - 18	105	79	165	120	235	170	M16 X 2	145	105	225	165	315	230
5/8" - 11	130	97	205	150	285	210	M16 X 1.5	155	115	240	180	335	245
5/8" - 18	150	110	230	170	325	240	M18 X 2.5	195	145	310	230	405	300
3/4" - 10	235	170	360	265	510	375	M18 X 1.5	220	165	350	260	485	355
3/4" - 16	260	190	405	295	570	420	M20 X 2.5	280	205	440	325	610	450
7/8" - 9	225	165	585	430	820	605	M20 X 1.5	310	230	650	480	900	665
7/8" - 14	250	185	640	475	905	670	M24 X 3	480	355	760	560	1050	780
1" - 8	340	250	875	645	1230	910	M24 X 2	525	390	830	610	1150	845
1" - 12	370	275	955	705	1350	995	M30 X 3.5	960	705	1510	1120	2100	1550
1-1/8" - 7	480	355	1080	795	1750	1290	M30 X 2	1060	785	1680	1240	2320	1710
1 1/8" - 12	540	395	1210	890	1960	1440	M36 X 3.5	1730	1270	2650	1950	3660	2700
1 1/4" - 7	680	500	1520	1120	2460	1820	M36 X 2	1880	1380	2960	2190	4100	3220
1 1/4" - 12	750	555	1680	1240	2730	2010	¹ in-tpi = nominal thread diameter in inches-threads per inch ² N-m = newton-meters ³ ft-lb= foot pounds ⁴ mm x pitch = nominal thread diameter in millimeters x thread pitch						
1 3/8" - 6	890	655	1990	1470	3230	2380							
1 3/8" - 12	1010	745	2270	1670	3680	2710							
1 1/2" - 6	1180	870	2640	1950	4290	3160							
1 1/2" - 12	1330	980	2970	2190	4820	3560							

Torque tolerance + 0%, -15% of torquing values. Unless otherwise specified use torque values listed above.

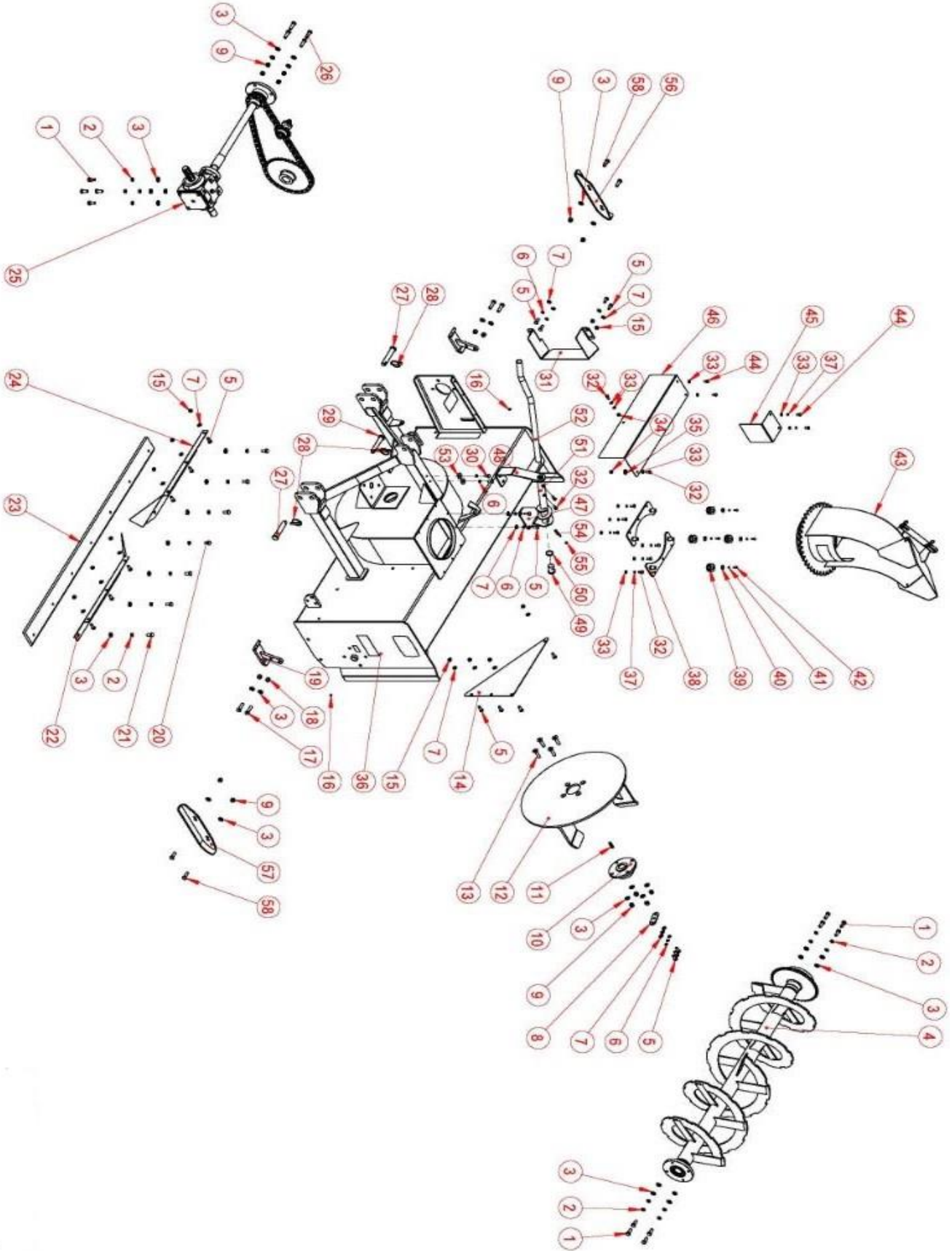
TROUBLESHOOTING

PROBLEM	SOLUTION
Not Throwing Snow	<ul style="list-style-type: none">• Operate at full throttle (540 PTO rpm), check PTO speed and tractor engine.• Shift transmission to a lower gear.• Discharge chute is plugged. Clear chute.
Excessive Vibration	<ul style="list-style-type: none">• Discharge fan blade is bent or missing.
Gearbox Noisy	<ul style="list-style-type: none">• Check oil level.
Auger is Not Turning	<ul style="list-style-type: none">• Check the chain and transmissions.
Tractor Loaded Down by Blower	<ul style="list-style-type: none">• Operate at full throttle (540 PTO rpm), check PTO speed and tractor engine.• Shift to a lower gear. Reduce tractor speed.



CAUTION: DO NOT try to clear discharge chute when tractor is running. Bodily harm may occur!

SNWBLW SERIES - SNOW BLOWER PARTS LIST



Item	Ref. No.	Part Description	Qty.	Remark
1	7010100004	Bolt M12x30	12	
2	7040400006	Spring Washer 12	19	
3	7040100006	Plain Washer 12x2.5	35	
4	SSB150.00.00.000-1	Auger	1	
5	7010100013	Bolt M12x25	19	
6	7040400005	Spring Washer 10	9	
7	7040100005	Plain Washer 10x2	19	
8	4010000127	Plate	1	
9	7030500006	Lock Nut M12	12	
10	4030400006	Connecting Sleeve	1	
11	7080100001	Key 10x40	1	
12	4030400005	Fan	1	
13	7020300007	Bolt M12x50	4	
14	4010000129	Fan Cover	1	
15	7030500017	Lock Nut M10	12	
16	4300400001	Grease Nipple	2	
17	7010100032	Bolt M12x45	4	
18	7030500006	Lock Nut M12	4	
19	4030400011	Stand	2	
20	7010300012	Bolt Thin Thread M12x1.5x20	1	
21	7010300011	Bolt Thin Thread M12x1.5x25	4	SNWBLW120
			6	SNWBLW150
			6	SNWBLW180
22	4010000134	Right Snow Plate	1	
23	4020000137	Bucket Blade	1	
24	4010000132	Left Snow Plate	1	
25	SSB150.00.00.000-3	Transmission Assmebly	1	
26	7010100008	Bolt M12x40	4	
27	4020000165	Hitch Pin -- Lower	2	
28	4300100004	Lock Pin ϕ 11x50	3	
29	4020000017	Hitch Pin ϕ 19 -- Upper	1	
30	7010100012	Bolt M10x20	2	
31	4010000136	Front Cover	1	
32	7010100006	Bolt M8x20	10	
33	7040100004	Plain Washer 8x1.6	13	
34	7030500016	Lock Nut M8	2	
35	7040300004	Big Washer 8x24x2	1	
36	4030400017	Chute	1	
37	7040400004	Spring Washer 8	10	
38	4030400007	Pressure Plate	2	
39	4020000139	Pulley	4	
40	7040800002	Super Big Washer 6x2	4	
41	7040400003	Spring Washer 6x1.6	4	
42	7010100036	Bolt M6x16	4	
43	SSB150.00.00.000-2	Discharge Chute Assembly	1	
44	7010100017	Bolt M8x16	4	
45	4010000128	Chain Cover	1	
46	4010000125	Transmission Shaft Cover	1	
47	4010000189	Front Bracket	1	
48	4010000194	Rear Bracket	1	
49	4020000195	Pin	1	
50	4010000190	Washer 28	1	

51	4030400019	Screw Rod Weldment	1	
52	4010000191	Handle	1	
53	7040300005	Big Washer 10x30x2.5	2	
54	7010100044	Bolt M6x45	1	
55	7030500015	Lock Nut M6	1	
56	4030400020	Left Skid Plate	1	
57	4030400021	Right Skid Plate	1	
58	7010100005	Bolt M12x35	4	



CAUTION: The snow blowers might be slightly different between different production time.

ACKNOWLEDGEMENT OF RISK AND RELEASE OF LIABILITY

The use of any equipment, including this one, involves the potential risk of injury. Apart from any warranty claim that might be presented for a claimed defect in material or workmanship of the product, you accept and assume full responsibility for any and all injuries, damages (both economic and non-economic), and losses of any type, which may occur, and you fully and forever release and discharge Titan, its insurers, employees, officers, directors, associates, and agents from any and all claims, demands, damages, rights of action, or causes of action, present or future, whether the same be known or unknown, anticipated, or unanticipated, resulting from or arising out of the use of said equipment.

This equipment must be used with care by capable and competent individuals under supervision, if necessary.

WARNING



Do not overfill! Mower should be level when checking oil in gear box.



some activities might be able to cause electric shock



Sharp objects may be involved. Use protective cover during maintenance.

TITAN LIMITED WARRANTY: TERMS, EXCLUSIONS AND LIMITATIONS OF REMEDIES

This product comes with a one (1) year limited warranty that can be found at www.palletforks.com/warranty.html. Please review the same for all details regarding the Titan Limited Warranty.

THE TITAN LIMITED WARRANTY FOUND AT WWW.PALLETFORKS.COM/WARRANTY.HTML IS EXCLUSIVE AND IS IN LIEU OF ALL OTHER WARRANTIES, EXPRESS OR IMPLIED, INCLUDING ANY IMPLIED WARRANTY OF MERCHANTABILITY AND/OR FITNESS FOR A PARTICULAR PURPOSE, EACH OF WHICH IS HEREBY DISCLAIMED.



NEED HELP? CONTACT US FIRST.

1-800-605-7595

info@palletworks.com
www.palletforks.com

© 2021 Titan Brands