

3PT REVERSIBLE DIRT SCOOP

30DRTSCOOP

191478

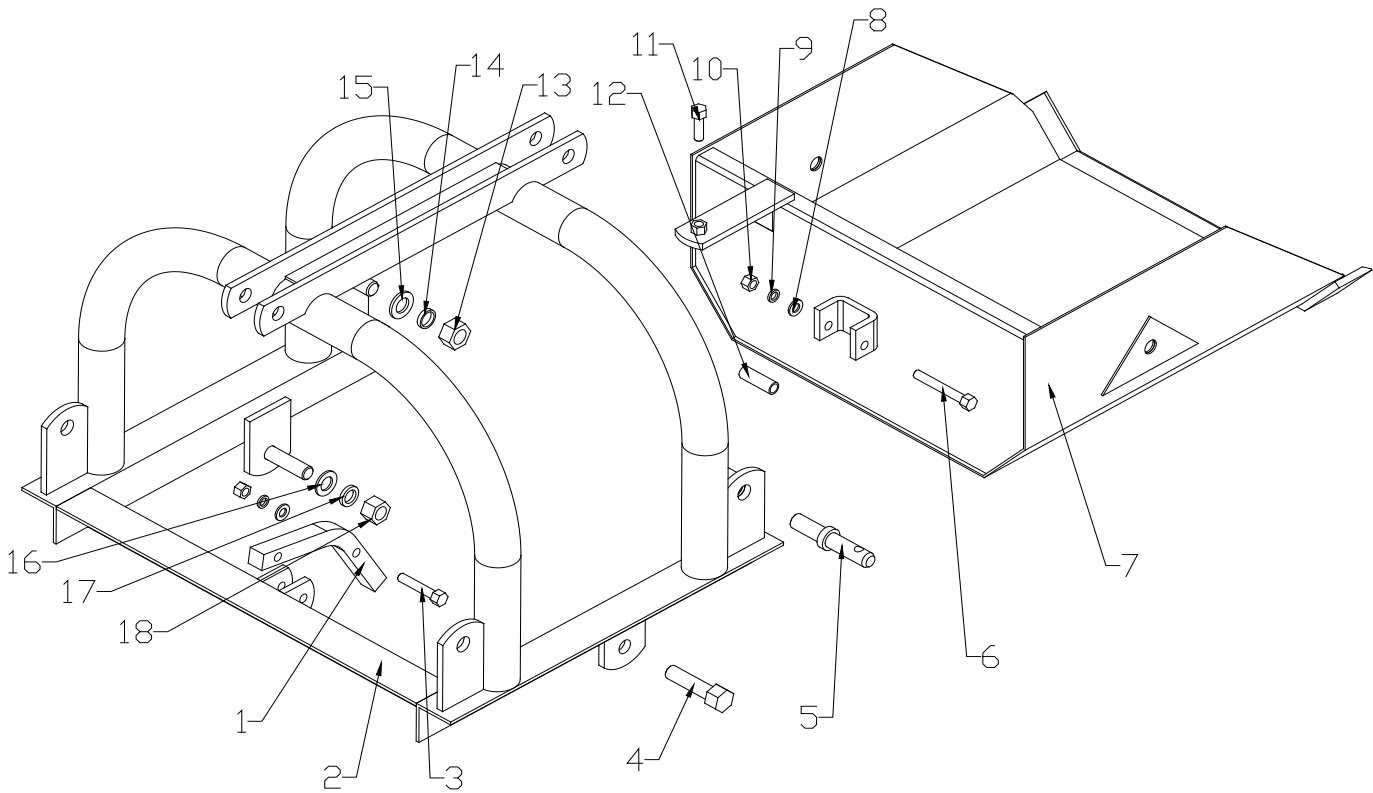


Operator's Manual



Read the Operator's Manual entirely. When you see this symbol, the subsequent instructions and warnings are serious follow without exception. Your life and the lives of others depend on it!

PARTS DIAGRAM / EXPLODED VIEW



KEY	DESCRIPTION	QTY	KEY	DESCRIPTION	QTY
(1)	Frame Latch Handle	1	(10)	Nut M12	2
(2)	Welding Frame	1	(11)	Bolt M12x40	1
(3)	Bolt M12x65	1	(12)	Collar	1
(4)	Bolt M20x80	2	(13)	Nut M22x1.5	2
(5)	Hitch Pin	2	(14)	Lock Washer 22	2
(6)	Bolt M12x90	1	(15)	Plain Washer 22	2
(7)	Bucket Weldment	1	(16)	Plain Washer 20	2
(8)	Plain Washer 12	2	(17)	Lock Washer 20	2
(9)	Lock Washer 12	2	(18)	Nut M20	2

ASSEMBLY INSTRUCTIONS

IT IS VERY IMPORTANT THAT YOU READ THE MANUAL TO BE FAMILIAR WITH THIS PRODUCT BEFORE YOU BEGIN USING IT.

- Make sure all parked machines are on a hard, level surface and engage all safety devices.
- Do not lift heavy parts or assemblies. Use crane, jack, tackle, fork trucks or other mechanical devices.
- Check the part list carefully and ensure all parts included. Assemble the frame and scoop body with bolts and tighten them.
- After completing assembly, thoroughly inspect the machine to be sure that all nuts, bolts, hydraulic fittings, or any other fastened assemblies have been thoroughly tightened.
- Before operating equipment if you have any question regarding the proper assembly or operation, contact your dealer or representative.

EQUIPMENT SAFETY GUIDELINES

- Never use alcoholic beverages or drugs which can hinder alertness or coordination while operating this equipment. Consult your doctor about operating this machine while taking prescription medications.
- Review the safety instructions with all users annually.
- This equipment is dangerous to children and persons unfamiliar with its operation. The operator should be a responsible adult familiar with farm machinery and trained in this equipment's operations. Do not allow persons to operate or assemble this unit until they have read this manual and have developed a thorough understanding of the safety precautions and of how works.
- Never exceed the limits of a piece of machinery.
- Do not modify the equipment in any way. Unauthorized modification may impair the function and could affect the life of equipment.

ACKNOWLEDGEMENT OF RISK AND RELEASE OF LIABILITY

The use of any equipment, including this one, involves the potential risk of injury. Apart from any warranty claim that might be presented for a claimed defect in material or workmanship of the product, you accept and assume full responsibility for any and all injuries, damages (both economic and non-economic), and losses of any type, which may occur, and you fully and forever release and discharge Titan, its insurers, employees, officers, directors, associates, and agents from any and all claims, demands, damages, rights of action, or causes of action, present or future, whether the same be known or unknown, anticipated, or unanticipated, resulting from or arising out of the use of said equipment.

This equipment must be used with care by capable and competent individuals under supervision, if necessary.

WARNING



Do not overfill! Mower should be level when checking oil in gear box.



some activities might be able to cause electric shock



Sharp objects may be involved.
Use protective cover during maintenance.

TITAN LIMITED WARRANTY: TERMS, EXCLUSIONS AND LIMITATIONS OF REMEDIES

This product comes with a one (1) year limited warranty that can be found at www.palletforks.com/warranty.html. Please review the same for all details regarding the Titan Limited Warranty.

THE TITAN LIMITED WARRANTY FOUND AT WWW.PALLETFORKS.COM/WARRANTY.HTML IS EXCLUSIVE AND IS IN LIEU OF ALL OTHER WARRANTIES, EXPRESS OR IMPLIED, INCLUDING ANY IMPLIED WARRANTY OF MERCHANTABILITY AND/OR FITNESS FOR A PARTICULAR PURPOSE, EACH OF WHICH IS HEREBY DISCLAIMED.



NEED HELP? CONTACT US FIRST.

1-800-605-7595

info@palletworks.com
www.palletforks.com

© 2021 Titan Brands