

PRO SERIES REPLACEMENT ROTARY CUTTER BLADES

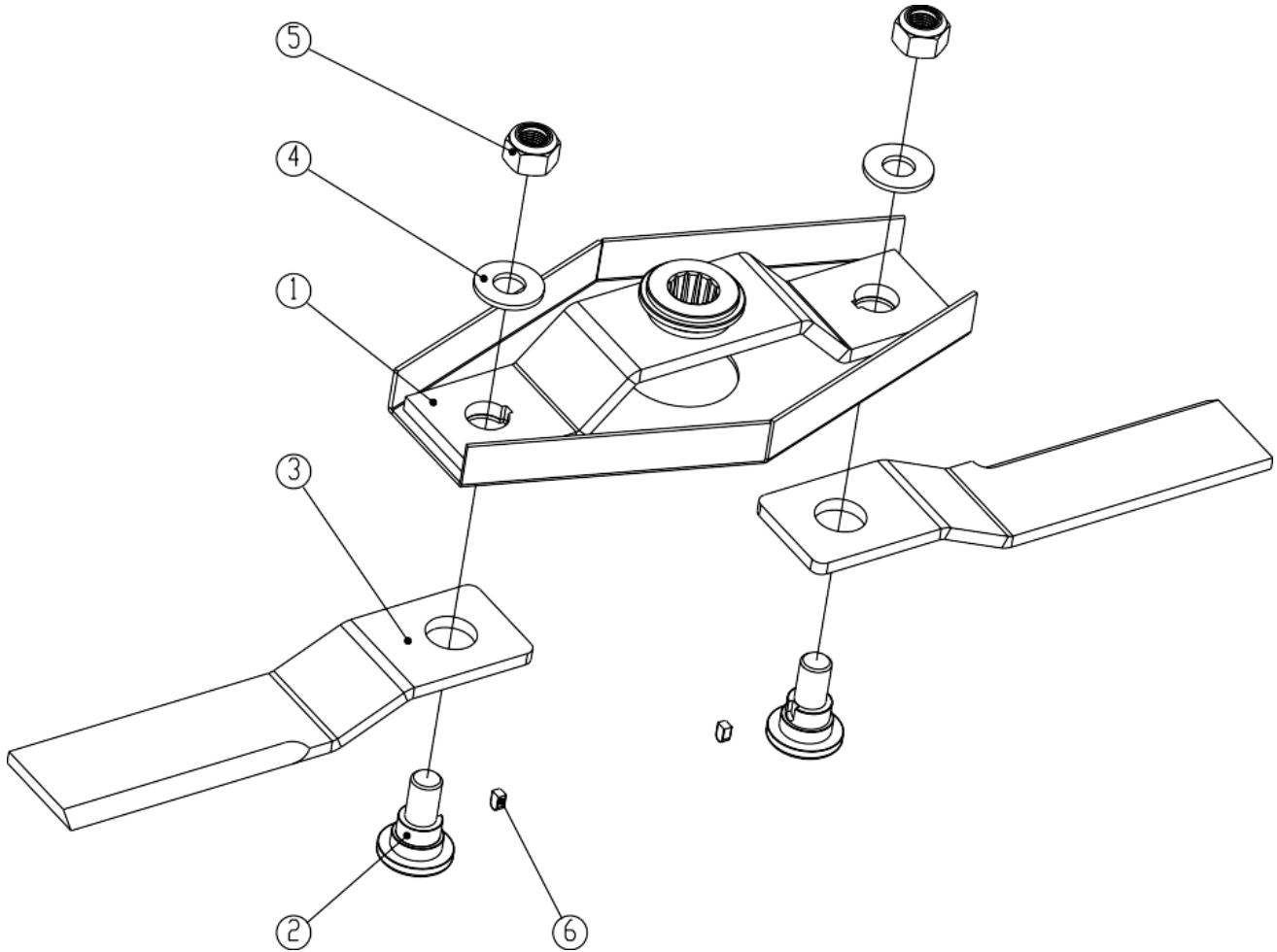
RBPRORC60, RBPRORC72
191589, 191590



Operator's Manual

Read the Operator's Manual entirely. When you see this symbol, the subsequent instructions and warnings are serious follow without exception. Your life and the lives of others depend on it!

PARTS DIAGRAM / EXPLODED VIEW



ITEM	REF. NO.	DESCRIPTION	QTY	REMARK
(1)	4030100348	BLADE MOUNT WELDMENT	1	STSRC48
	4030100352			STSRC60
(2)	4020000194	BLADE BOLT	2	
(3)	4290200015	CUTTER BLADE	2	STSRC48
	4290200013			STSRC60
(4)	4010000163	BLADE PLAIN WASHER	2	
(5)	7030500021	LOCKNUT M27	2	
(6)	BCL120.00.00.007	FLAT KEY 10X8X16.5	2	

CUTTING BLADE MAINTENANCE

DANGER

To avoid serious injury or death:

- *Always disconnect driveline from power take-off shaft before servicing underside of cutter. The tractor can be started with power take-off engaged.*
- *Always secure equipment with solid, non-concrete supports before working under it. Never go under equipment supported by concrete blocks or hydraulics. Concrete can break, hydraulic lines can burst, and/or hydraulic controls can be actuated even when power to hydraulics is off.*

WARNING

To avoid serious injury or death:

- *Do not operate cutter with blades that are out-of-balance, bent, excessively worn, excessively nicked, or with blade bolts that are excessively worn. Such blades can break loose at high speeds.*
- *Do not attempt to straighten a bent blade or weld on a blade. Do not attempt to modify a blade or weld on a blade. Do not attempt to modify a blade such as hard surfacing, heat treating, cold treating, or by any other method.*

IMPORTANT:

Only replace cutting blades in pairs. Replacing single blades can result in an out-of-balance condition that will contribute to premature bearing wear/breakage and/or structural cracks in gearbox and/or deck.

Always inspect cutting blades before each use. Make certain they are properly installed and are in good working condition. Replace any blade that is damaged, worn, bent, or excessively nicked. Never try to straighten a bent blade! Small nicks can be ground out when sharpening.

Remove cutting blades and sharpen or replace

as follows:

1. Place tractor gear selector in park and/or set brakes, shut engine off, and remove ignition key.
2. Disconnect main driveline from tractor power take-off and secure cutter deck in the up position with solid supports before servicing underside of cutter.

Refer to Figure 4-4:

3. Remove access rubber cover (#5).
4. Rotate Blade bolt (#1) until in alignment with access hole (A).
5. Unscrew locknut (#3) to remove cutting blade (#6). Blade bolt (#1) is keyed and will not turn freely.
6. Both blades should be sharpened at the same angle as the original cutting edge and must be replaced or re-ground at the same time to maintain proper balance in the cutting unit. The following precautions should be taken when sharpening blades:
 - a. Do not remove more material than necessary.
 - b. Do not heat and pound out a cutting edge.
 - c. Do not grind blades to a razor edge. Leave a blunt cutting edge approximately 1.5 mm thick.
 - d. Always grind cutting edge so end of blade remains square to cutting edge and not rounded.
 - e. Do not sharpen back side of blade.
 - f. Both blades should weigh the same with not more than 1 ½ oz. difference. Unbalanced blades will cause excessive vibration which can damage gearbox bearing and create structural cracks.

Refer to Figure 4-5:

- Carefully check cutting edges of blades in relation to blade carrier rotation to ensure correct blade placement. Blade Rotation is counterclockwise with cutting edge leading.

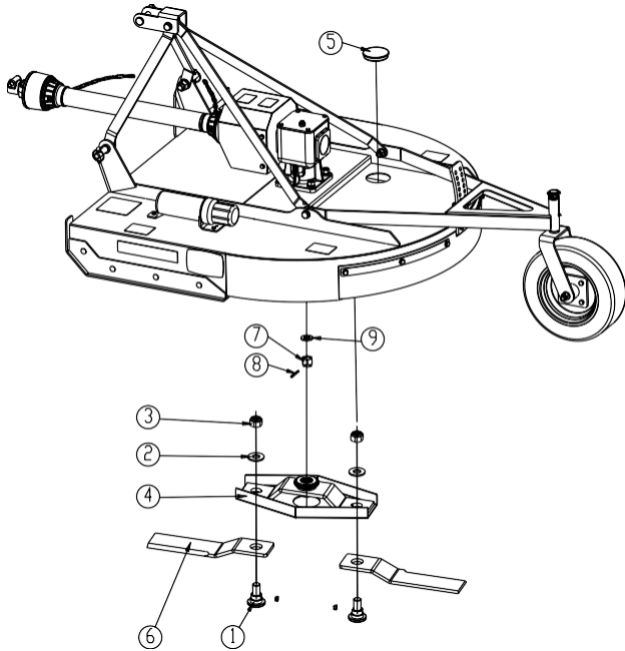


Figure 4-4: Cutter Blade Assembly
Refer to Figure 4-4:

WARNING

To avoid serious injury or death:
A locknut that has been removed can lose its thread locking properties. Reusing a used locknut can result in a thrown blade. Always use a new locknut when installing blades.

IMPORTANT:

Examine blade bolts (#1) and flat washers (#2) for excessive wear and replace if worn.

- Insert blade bolt (#1) through blade (#6), blade mount bracket (#4), and plain washer (#2). Secure blade with a new locknut (#3) and torque to 400 ft.-lbs.
- Replace access rubber cover (#5).
- If replaced blade mount bracket (#4), nut (#7) on gearbox output shaft should be torque to 450 ft.

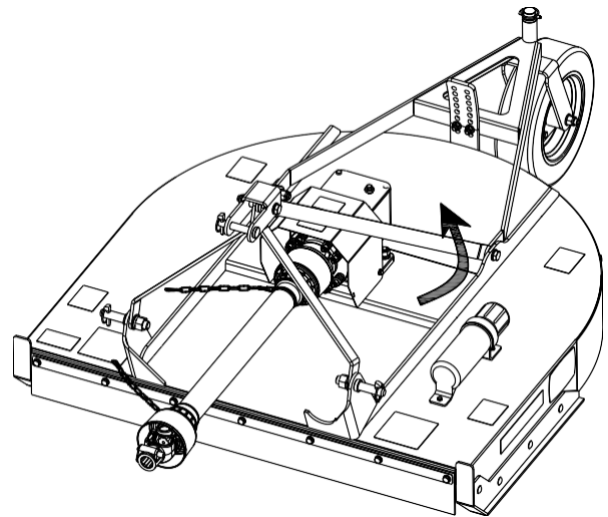


Figure 4-5: Counterclockwise Blade Rotation

PROBLEM	CAUSE	SOLUTION
BLADES WEARING EXCESSIVELY BLADE BREAKING	CUTTING ON SANDY GROUND	RAISE CUTTING HEIGHT
	CONTACTING GROUND FREQUENTLY	RAISE CUTTING HEIGHT
	HITTING SOLID OBJECTS	AVOID HITTING SOLID OBJECTS
BLADES COMING LOOSE	BLADE DOES NOT TIGHTEN PROPERLY	TIGHTEN BLADE HARDWARE (REFER TO "CUTTING BLADE MAINTENANCE" ON PAGE 32.
	NOT USING NEW LOCKNUT WHEN REPLACING BLADES	USE NEW LOCKNUTS.
BLADE CARRIER BECOMES LOOSE	RUNNING LOOSE IN THE PAST	REPLACE GEARBOX OUTPUT SHAFT AND BLADE CARRIER
	BLADE CARRIER HARDWARE NOT TIGHT ENOUGH	TIGHTEN TO SPECIFIED TORQUE
BLADE BOLT HOLES WORN	BLADE HARDWARE RUNNING LOOSE	REPLACE BLADES, BLADE BOLTS, AND LOCKNUT IF WORN
BLADE CARRIER BENT	HITTING SOLID OBJECTS	AVOID HITTING SOLID OBJECTS AND REPLACE BLADE CARRIER

ACKNOWLEDGEMENT OF RISK AND RELEASE OF LIABILITY

The use of any equipment, including this one, involves the potential risk of injury. Apart from any warranty claim that might be presented for a claimed defect in material or workmanship of the product, you accept and assume full responsibility for any and all injuries, damages (both economic and non-economic), and losses of any type, which may occur, and you fully and forever release and discharge Titan, its insurers, employees, officers, directors, associates, and agents from any and all claims, demands, damages, rights of action, or causes of action, present or future, whether the same be known or unknown, anticipated, or unanticipated, resulting from or arising out of the use of said equipment.

This equipment must be used with care by capable and competent individuals under supervision, if necessary.

WARNING



Do not overfill! Mower should be level when checking oil in gear box.



some activities might be able to cause electric shock



Sharp objects may be involved.
Use protective cover during maintenance.

TITAN LIMITED WARRANTY: TERMS, EXCLUSIONS AND LIMITATIONS OF REMEDIES

This product comes with a one (1) year limited warranty that can be found at www.palletforks.com/warranty.html. Please review the same for all details regarding the Titan Limited Warranty.

THE TITAN LIMITED WARRANTY FOUND AT WWW.PALLETFORKS.COM/WARRANTY.HTML IS EXCLUSIVE AND IS IN LIEU OF ALL OTHER WARRANTIES, EXPRESS OR IMPLIED, INCLUDING ANY IMPLIED WARRANTY OF MERCHANTABILITY AND/OR FITNESS FOR A PARTICULAR PURPOSE, EACH OF WHICH IS HEREBY DISCLAIMED.



NEED HELP? CONTACT US FIRST.

1-800-605-7595

info@palletworks.com
www.palletforks.com

© 2021 Titan Brands