

3PT PALLET FORK FRAME ATTACHMENT

3PTFRLDRECWSHR, 3PTFRLDRECWSHR-(2) FB36x125,
3PTFRLDRECWSHR-(2) FB42x125, 3PTFRLDRECWSHR-(2) FB48x125,
3PTFRLDRECWSHR-(2) FB60x125
193260, 191370, 191371, 191372, 191373

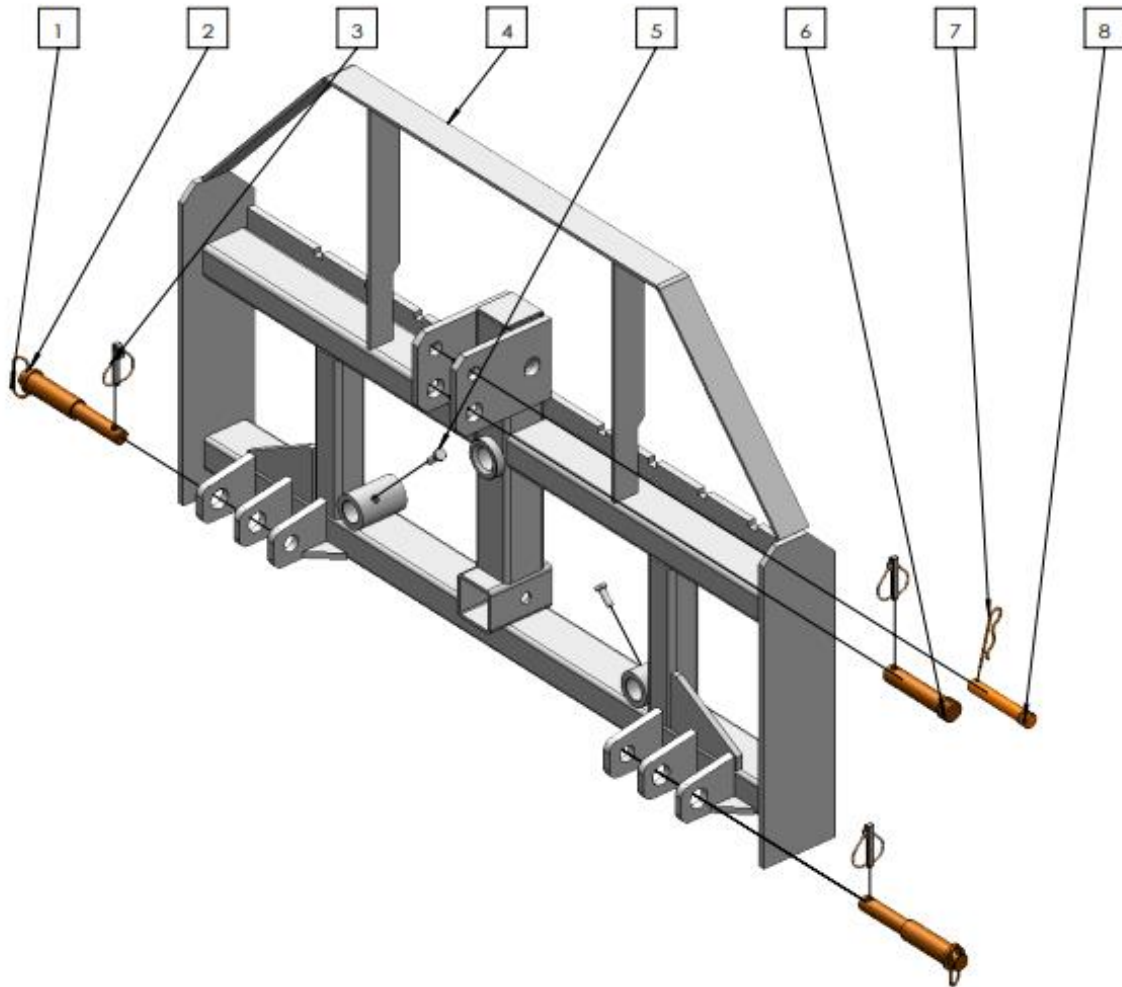


Operator's Manual



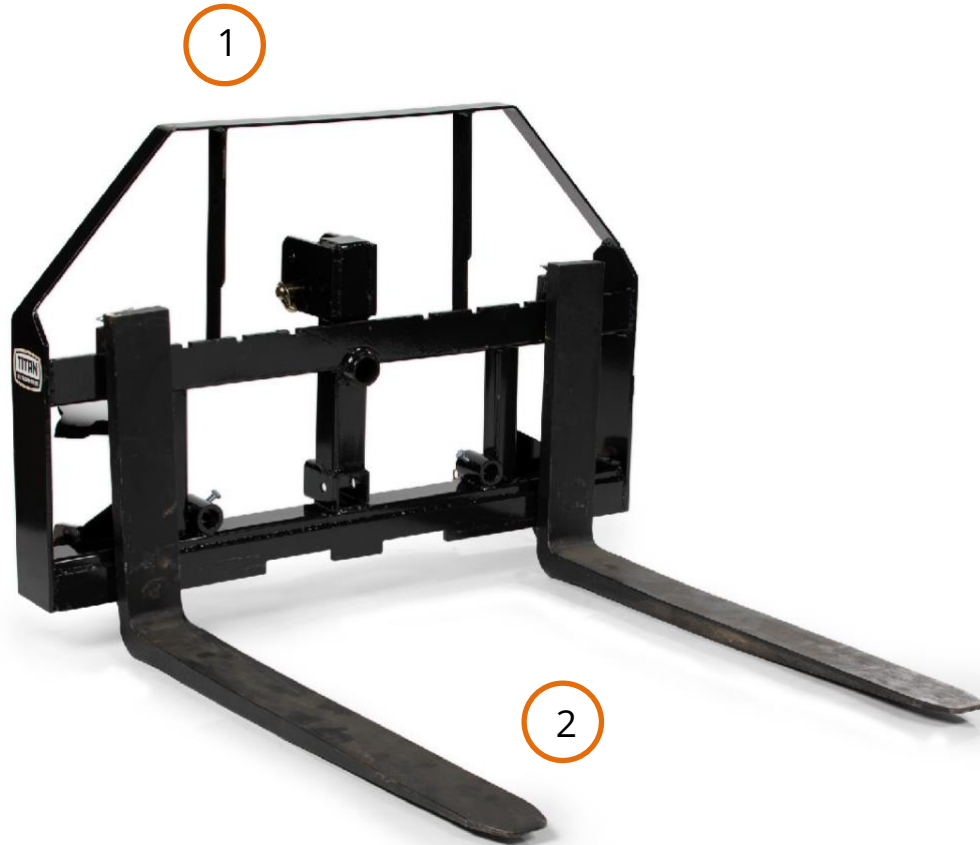
Read the Operator's Manual entirely. When you see this symbol, the subsequent instructions and warnings are serious follow without exception. Your life and the lives of others depend on it!

PARTS DIAGRAM / EXPLODED VIEW



KEY	DESCRIPTION	QTY
(1)	PIN PULL RING	2
(2)	LOWER STEP PIN	2
(3)	RETENTION PIN	3
(4)	MAN FRAME	1
(5)	HEX BOLT M10X25	2
(6)	CAT2 UPPER PIN	1
(7)	COTTER PIN 4x70	1
(8)	CAT1 UPPER PIN	1

PARTS DIAGRAM / EXPLODED VIEW



KEY	BOX	DESCRIPTION	QTY
(1)	1	PALLET FORK ATTACHMENT, 4,000 LB CAPACITY	1
(2)	1	Optional 36", 42", or 48" PALLET FORK BLADES	2

ASSEMBLY INSTRUCTIONS

- 3PT PALLET FOR ATTACHMENT COME FULLY ASSEMBLED.

ACKNOWLEDGEMENT OF RISK AND RELEASE OF LIABILITY

The use of any equipment, including this one, involves the potential risk of injury. Apart from any warranty claim that might be presented for a claimed defect in material or workmanship of the product, you accept and assume full responsibility for any and all injuries, damages (both economic and non-economic), and losses of any type, which may occur, and you fully and forever release and discharge Titan, its insurers, employees, officers, directors, associates, and agents from any and all claims, demands, damages, rights of action, or causes of action, present or future, whether the same be known or unknown, anticipated, or unanticipated, resulting from or arising out of the use of said equipment.

This equipment must be used with care by capable and competent individuals under supervision, if necessary.

TITAN LIMITED WARRANTY: TERMS, EXCLUSIONS AND LIMITATIONS OF REMEDIES

This product comes with a one (1) year limited warranty that can be found at www.palletforks.com/warranty.html. Please review the same for all details regarding the Titan Limited Warranty.

THE TITAN LIMITED WARRANTY FOUND AT WWW.PALLETFORKS.COM/WARRANTY.HTML IS EXCLUSIVE AND IS IN LIEU OF ALL OTHER WARRANTIES, EXPRESS OR IMPLIED, INCLUDING ANY IMPLIED WARRANTY OF MERCHANTABILITY AND/OR FITNESS FOR A PARTICULAR PURPOSE, EACH OF WHICH IS HEREBY DISCLAIMED.



NEED HELP? CONTACT US FIRST.

1-800-605-7595

info@palletworks.com
www.palletforks.com

© 2021 Titan Brands