

OUTDOOR POWER TOWER – RED

ODPT_RD
401478

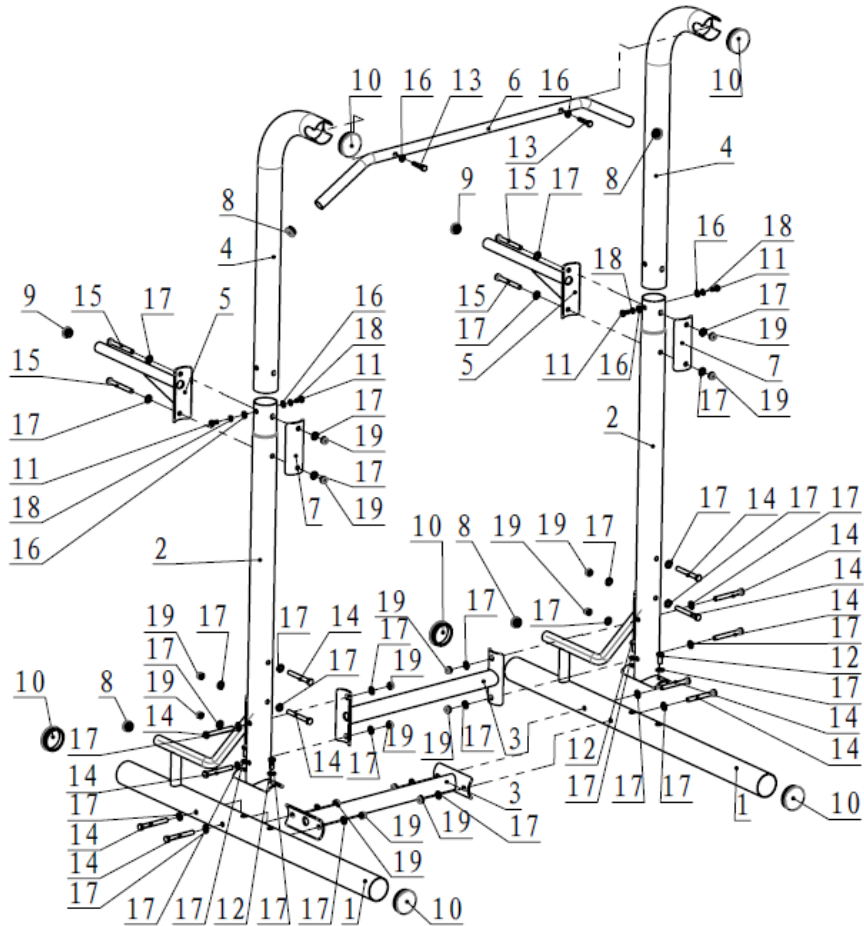


Operator's Manual



Read the Operator's Manual entirely. When you see this symbol, the subsequent instructions and warnings are serious follow without exception. Your life and the lives of others depend on it!

PARTS DIAGRAM / EXPLODED VIEW

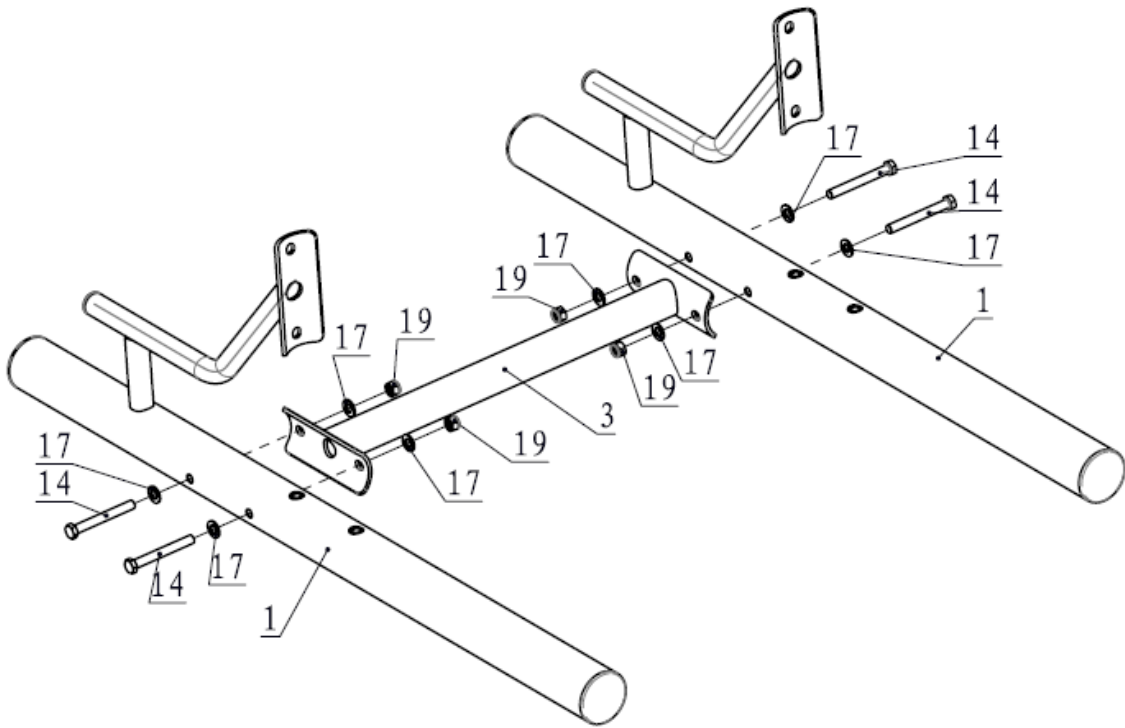


KEY	BOX	DESCRIPTION	QTY	KEY	BOX	DESCRIPTION	QTY
(1)	1	BASE FRAME	2	(11)	1	HEX BOLT M10*20	4
(2)	1	LOWER UPRIGHT FRAME	2	(12)	1	HEX BOLT M10*25	4
(3)	1	CONNECTING FRAME	2	(13)	1	HEX BOLT M10*50	2
(4)	1	UPPER UPRIGHT FRAME	2	(14)	1	HEX BOLT M12*100	12
(5)	1	CHIN UP BAR	2	(15)	1	HEX BOLT M12*105	4
(6)	1	PULL UP BAR	1	(16)	1	FLAT WASHER $\Phi 11*\Phi 20*2$	6
(7)	1	FIXING PLATE	2	(17)	1	FLAT WASHER $\Phi 13.5*\Phi 24*2.5$	36
(8)	1	END CAP $\Phi 32*2$	4	(18)	1	SPRING WASHER $\Phi 10$	4
(9)	1	END CAP $\Phi 32*3$	2	(19)	1	NUT M12	16
(10)	1	END CAP $\Phi 76*2$	6				

ASSEMBLY INSTRUCTIONS

STEP 1

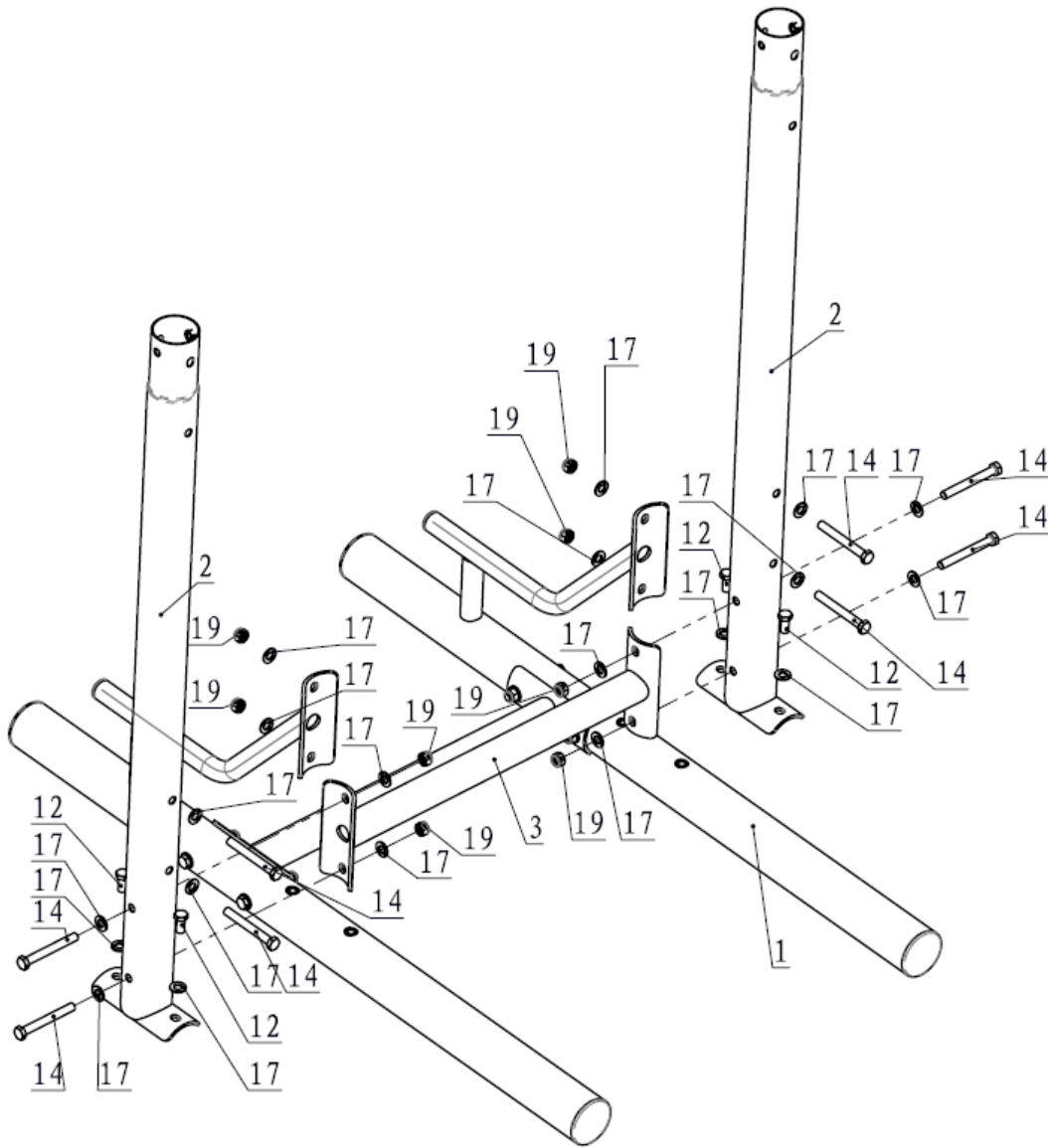
Assemble the Connecting Frame (3) and Base Frame (1) using Flat Washer $\Phi 13.5 \times \Phi 24.2.5$ (17), Nut M12 (19) and Hex Bolt M12*100 (14).



ASSEMBLY INSTRUCTIONS

STEP 2

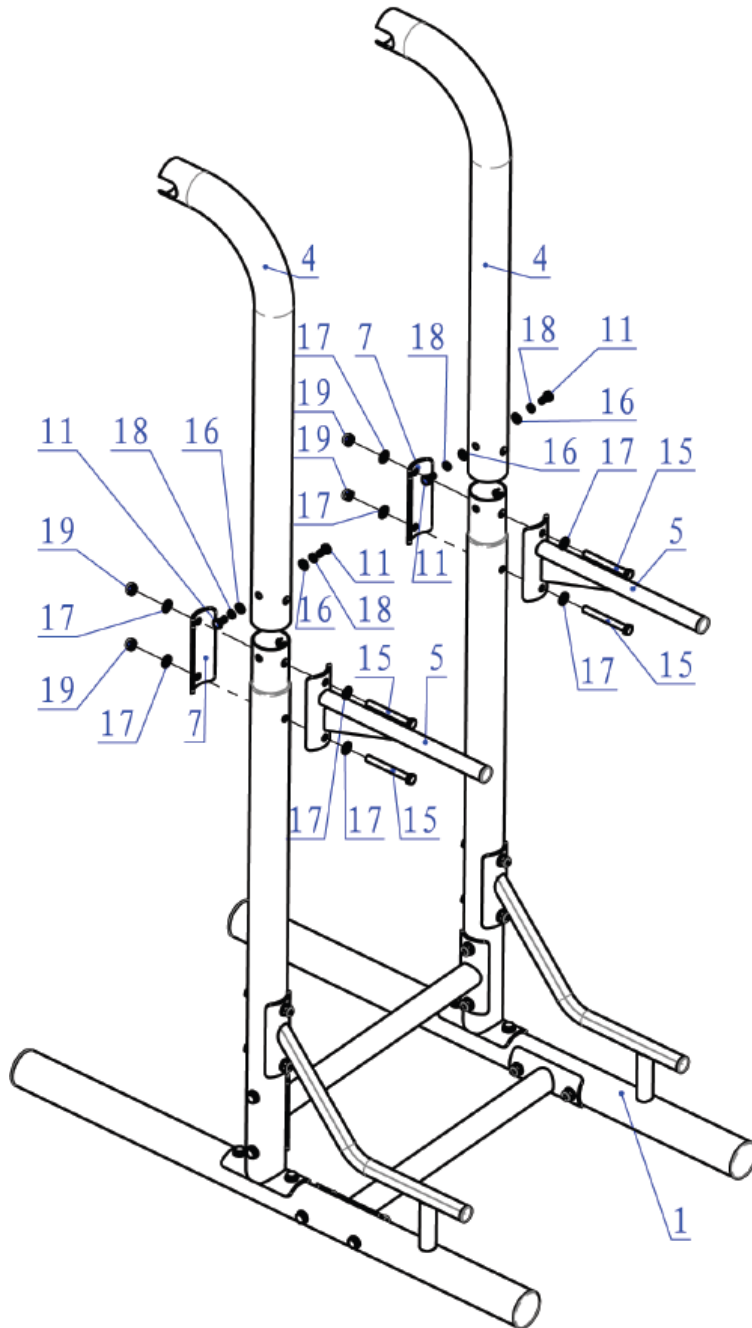
1. Assemble Lower Upright Frame (2) and Base Frame (1), using Flat Washer $\Phi 13.5 \times \Phi 24.2.5$ (17), Nut M12 (19), Hex Bolt M12*100 (14) and Hex Bolt M12*25 (12).
2. Assemble Lower Upright Frame (2) and Connecting Frame (3), using Flat Washer $\Phi 13.5 \times \Phi 24.2.5$ (17), Nut M12 (19) and Hex Bolt M12*100 (14).



ASSEMBLY INSTRUCTIONS

STEP 3

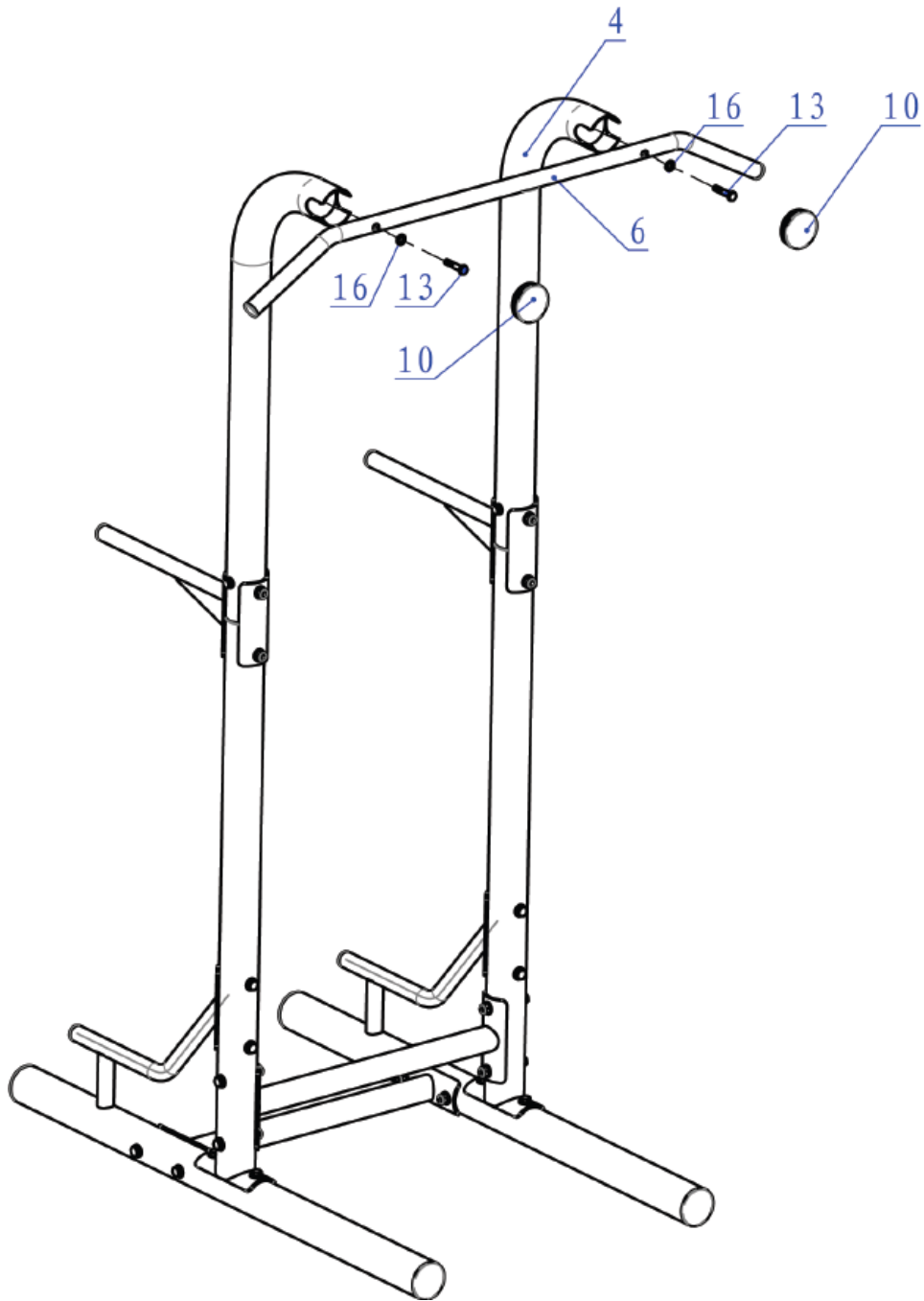
Connect the Chin Up Bar (5), Upper Upright Frame (4) and Lower Upright Frame (2), using Fixing Plate (7), Flat Washer $\Phi 11*\Phi 20*2$ (16), Flat Washer $\Phi 13.5*\Phi 24.2.5$ (17), Spring Washer (18), Nut M12 (19), Hex Bolt M10*20(11),and Hex Bolt M12*105 (15).



ASSEMBLY INSTRUCTIONS

STEP 4

Assemble Pull Up Bar (6) and Upper Upright Frame (4), using End Cap $\Phi 76*2$ (10), Flat Washer $\Phi 11*\Phi 20*2$ (16), and Hex Bolt M10*50 (13), then tighten all bolts.



ACKNOWLEDGEMENT OF RISK AND RELEASE OF LIABILITY

The use of any equipment, including this one, involves the potential risk of injury. Apart from any warranty claim that might be presented for a claimed defect in material or workmanship of the product, you accept and assume full responsibility for any and all injuries, damages (both economic and non-economic), and losses of any type, which may occur, and you fully and forever release and discharge Titan, its insurers, employees, officers, directors, associates, and agents from any and all claims, demands, damages, rights of action, or causes of action, present or future, whether the same be known or unknown, anticipated, or unanticipated, resulting from or arising out of the use of said equipment.

This equipment must be used with care by capable and competent individuals under supervision,

WARNING



Heavy object. Use lifting aids and proper lifting techniques when moving.



Choking hazard. Small parts – Please exercise caution if small children or pets are present.



Sharp objects may be involved. Use precaution and protection.

TITAN LIMITED WARRANTY: TERMS, EXCLUSIONS AND LIMITATIONS OF REMEDIES

This product comes with a one (1) year limited warranty that can be found at www.titan.fitness/warranty.html Please review the same for all details regarding the Titan Limited Warranty.

THE TITAN LIMITED WARRANTY FOUND AT WWW.TITAN.FITNESS/WARRANTY IS EXCLUSIVE AND IS IN LIEU OF ALL OTHER WARRANTIES, EXPRESS OR IMPLIED, INCLUDING ANY IMPLIED WARRANTY OF MERCHANTABILITY AND/OR FITNESS FOR A PARTICULAR PURPOSE, EACH OF WHICH IS HEREBY DISCLAIMED.



NEED HELP? CONTACT US FIRST.

1-888-410-1503

info@titan.fitness

www.titan.fitness

© 2021 Titan Brands