

INCLINE BENCH v3

INBENCHv3

401490

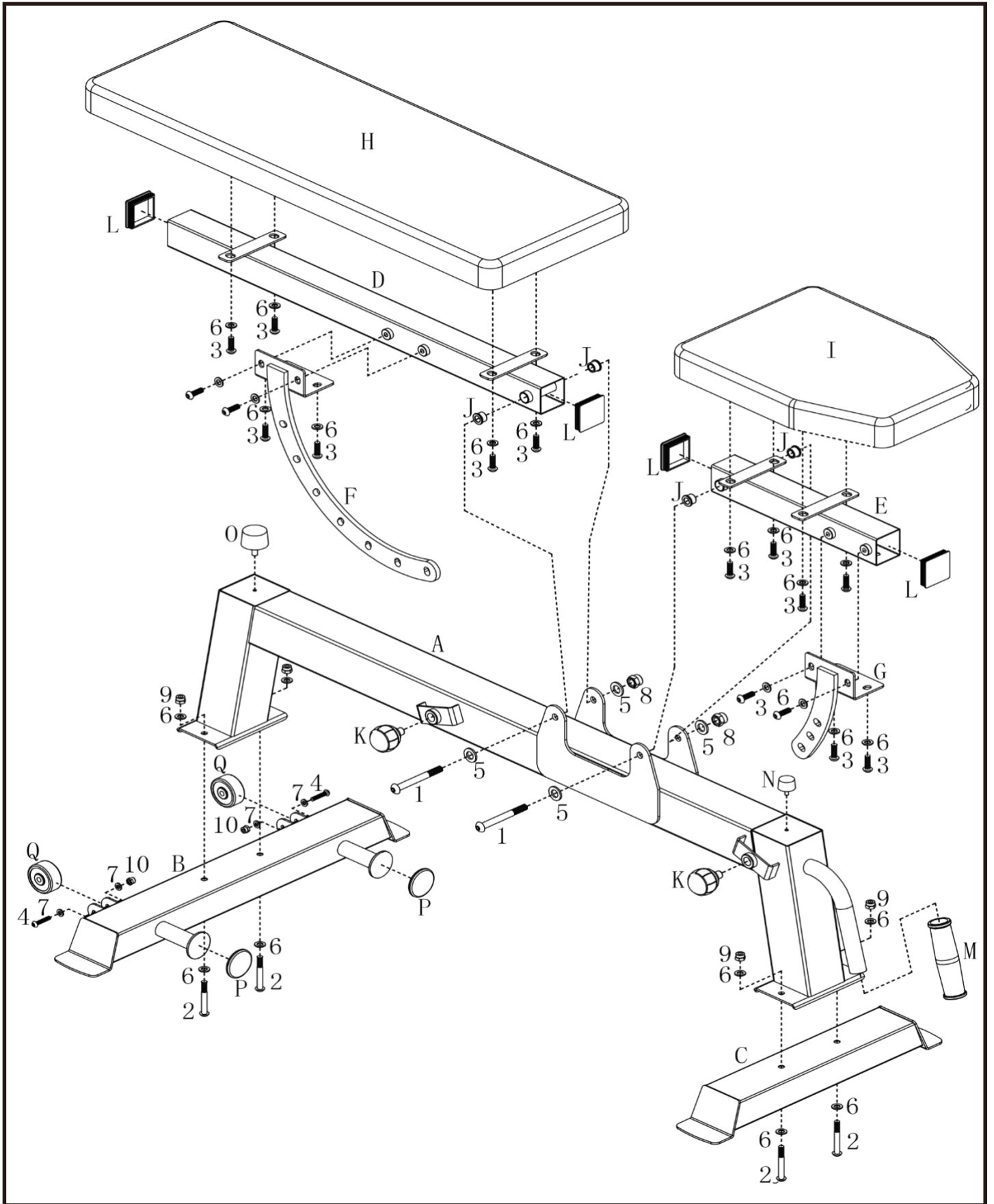


Operator's Manual

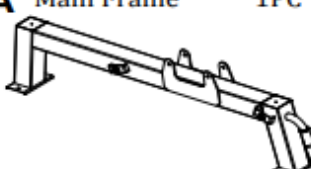

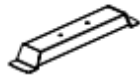




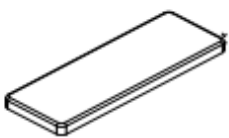











Read the Operator's Manual entirely. When you see this symbol, the subsequent instructions and warnings are serious follow without exception. Your life and the lives of others depend on it!











PARTS DIAGRAM / EXPLODED VIEW



PARTS DIAGRAM / EXPLODED VIEW

| | | | |
|---|--|---|--|
| A Main Frame 1PC  | B Rear Stabilizer 1PC  | C Front Stabilizer 1PC  | D Backrest Frame 1PC  |
| E Seat Frame 1PC  | F Backrest Pivot Bracket 1PC  | G Seat Pivot Bracket 1PC  | H Backrest Pad 1PC  |
| I Seat Pad 1PC  | J Metal Bush #10.5 4PCS  | K Pop Pin 2PCS  | L 50mm Square Inner Cap 4PCS  |
| M 25*130mm Handle 1PC  | N M6 Bumper 1PC  | O M8 Bumper 1PC  | P Round Dome 2PCS  |
| Q Wheel 2PCS  | | | |

HARDWARE LIST

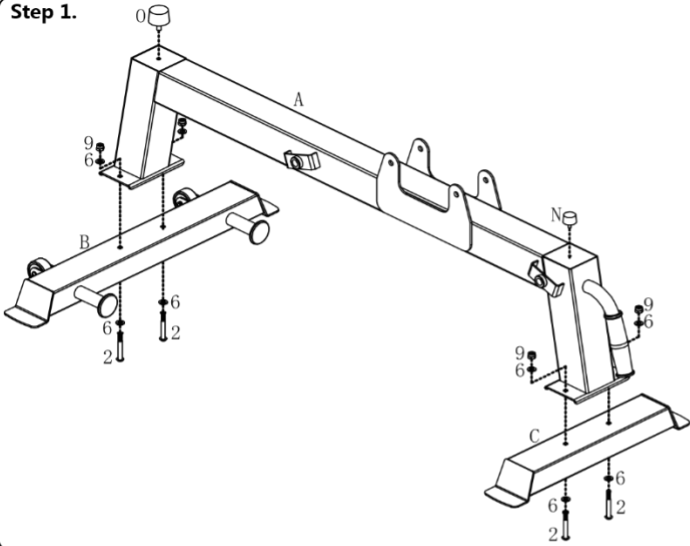
| | | | |
|---|--|---|--|
| 1 M10*100 Bolt 2PCS  | 2 M8*65 Bolt 4PCS  | 3 M8*15 Bolt 16PCS  | 4 M6*40 Bolt 2PCS  |
| 5 M10 Washer 4PCS  | 6 M8 Washer 24PCS  | 7 M6 Washer 4PCS  | 8 M10 Nylon Locknut 2PCS  |
| 9 M8 Nylon Locknut 4PCS  | 10 M6 Nylon Locknut 2PCS  | | |

PARTS LIST

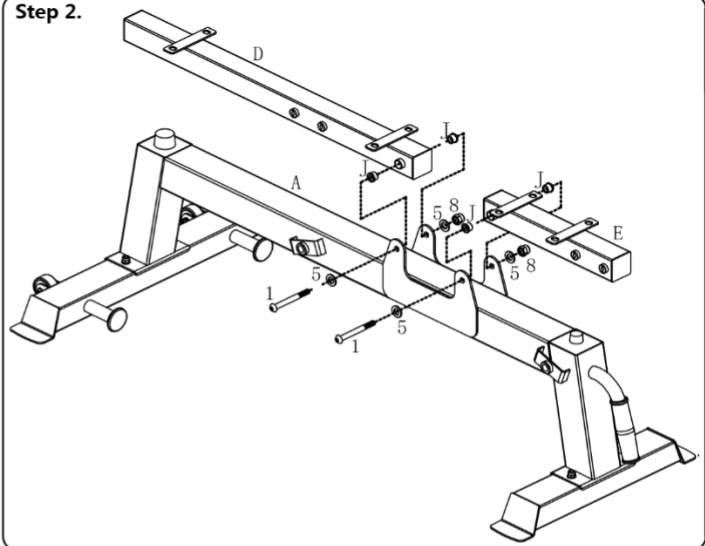
| KEY | DESCRIPTION | QTY |
|------------|------------------------|------------|
| (A) | MAIN FRAME | 1 |
| (B) | REAR STABILIZER | 1 |
| (C) | FRONT STABILIZER | 1 |
| (D) | BACKREST FRAME | |
| (E) | SEAT FRAME | 1 |
| (F) | BACKREST PIVOT BRACKET | 1 |
| (G) | SET PIVOT BRACKET | 1 |
| (H) | BACKREST PAD | 1 |
| (I) | SEAT PAD | 1 |
| (J) | METAL BUSH #10.5 | 4 |
| (K) | POP PIN | 2 |
| (L) | 50MM SQUARE INNER CAP | 4 |
| (M) | 25*130 HANDLE | 1 |
| (N) | M6 BUMPER | 1 |
| (O) | M8 BUMPER | 1 |
| (P) | ROUND DOME | 2 |
| (Q) | WHEEL | 2 |
| (1) | M10*100MM BOLT | 2 |
| (2) | M8*65MM BOLT | 4 |
| (3) | M8*15MM BOLT | 16 |
| (4) | M6*40MM BOLT | 2 |
| (5) | M10 WASHER | 4 |
| (6) | M8 WASHER | 24 |
| (7) | M6 WASHER | 4 |
| (8) | M10 NYLON LOCKNUT | 2 |
| (9) | M8 NYLON LOCKNUT | 4 |
| (10) | M6 NYLON LOCKNUT | 2 |

ASSEMBLY INSTRUCTIONS

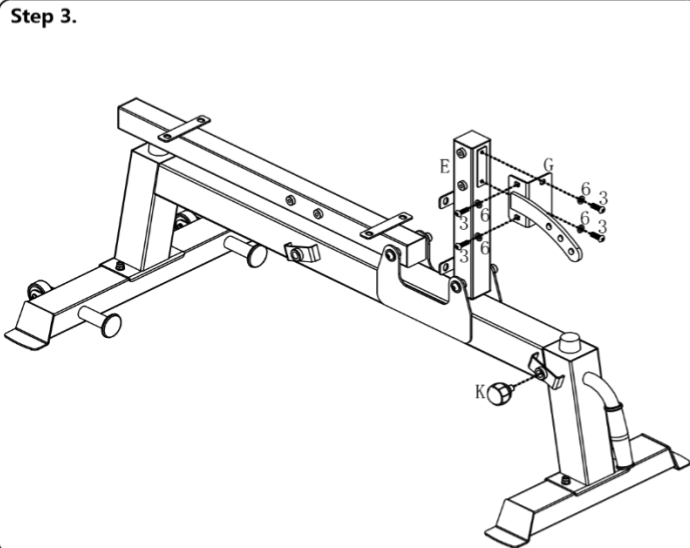
Step 1.



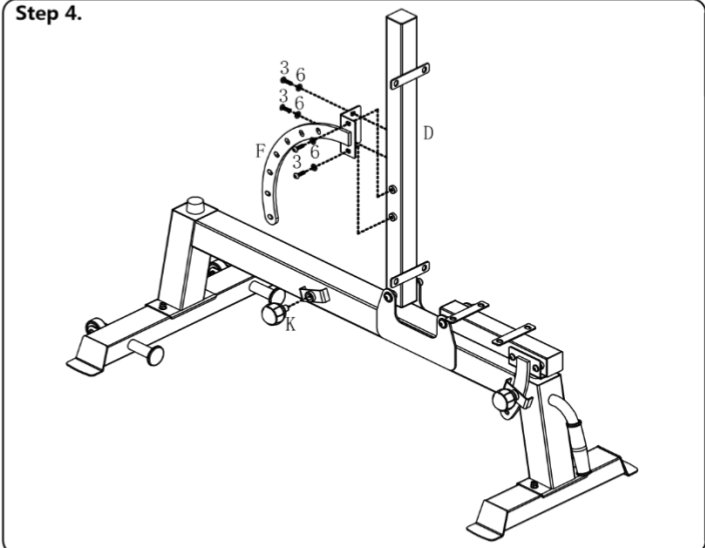
Step 2.



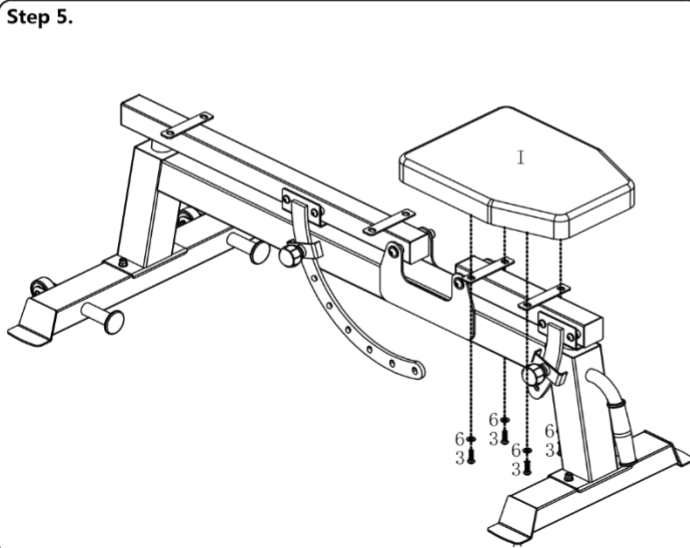
Step 3.



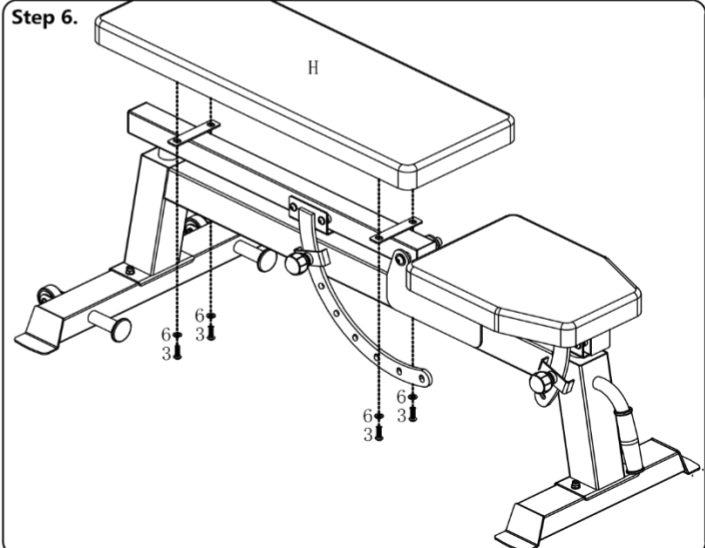
Step 4.



Step 5.



Step 6.



ACKNOWLEDGEMENT OF RISK AND RELEASE OF LIABILITY

The use of any equipment, including this one, involves the potential risk of injury. Apart from any warranty claim that might be presented for a claimed defect in material or workmanship of the product, you accept and assume full responsibility for any and all injuries, damages (both economic and non-economic), and losses of any type, which may occur, and you fully and forever release and discharge Titan, its insurers, employees, officers, directors, associates, and agents from any and all claims, demands, damages, rights of action, or causes of action, present or future, whether the same be known or unknown, anticipated, or unanticipated, resulting from or arising out of the use of said equipment.

This equipment must be used with care by capable and competent individuals under supervision,

WARNING



Heavy object. Use lifting aids and proper lifting techniques when moving.



Choking hazard. Small parts – Please exercise caution if small children or pets are present.



Sharp objects may be involved. Use precaution and protection.

TITAN LIMITED WARRANTY: TERMS, EXCLUSIONS AND LIMITATIONS OF REMEDIES

This product comes with a one (1) year limited warranty that can be found at www.titan.fitness/warranty.html Please review the same for all details regarding the Titan Limited Warranty.

THE TITAN LIMITED WARRANTY FOUND AT WWW.TITAN.FITNESS/WARRANTY IS EXCLUSIVE AND IS IN LIEU OF ALL OTHER WARRANTIES, EXPRESS OR IMPLIED, INCLUDING ANY IMPLIED WARRANTY OF MERCHANTABILITY AND/OR FITNESS FOR A PARTICULAR PURPOSE, EACH OF WHICH IS HEREBY DISCLAIMED.



NEED HELP? CONTACT US FIRST.

1-888-410-1503

info@titan.fitness

www.titan.fitness

© 2021 Titan Brands