

MOBILE INDUSTRIAL BAR CART

RLLPLTFRM-BNDLCART

840129

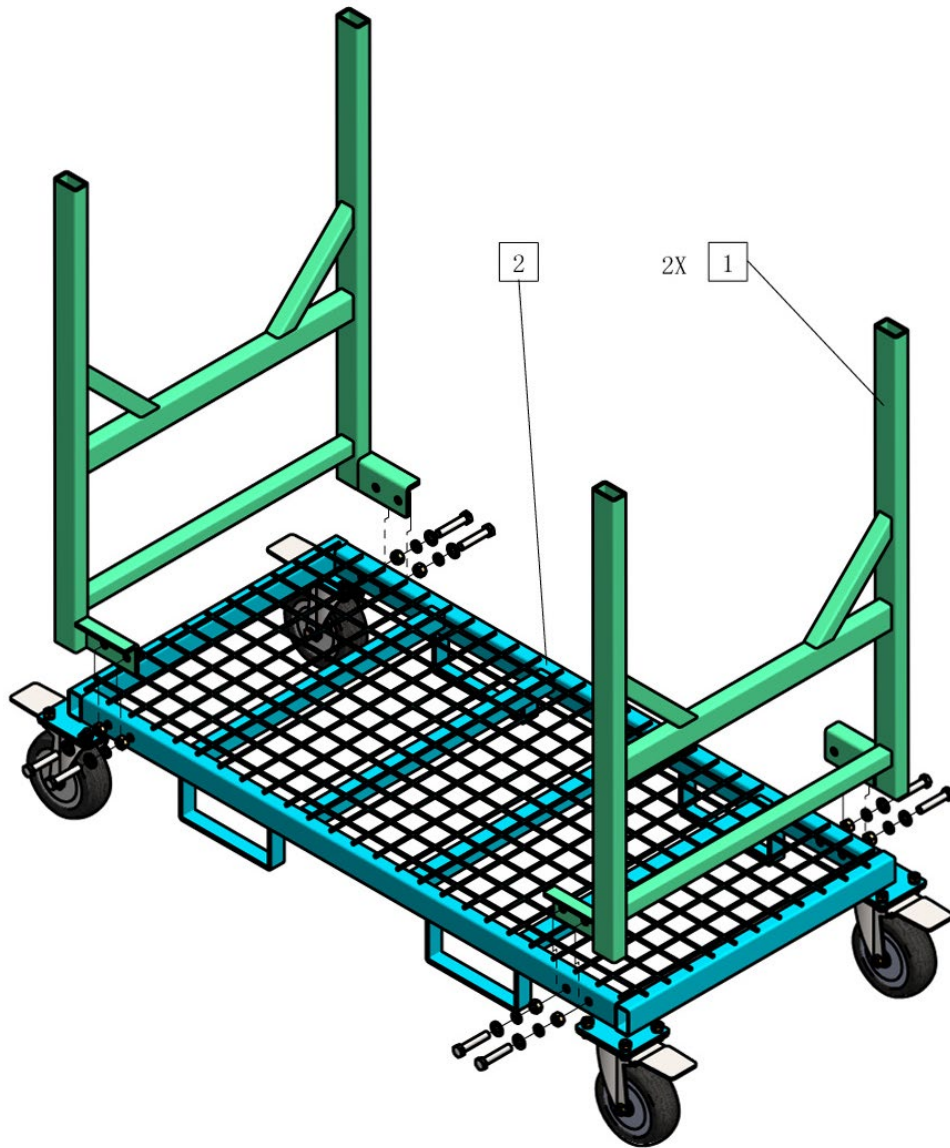


Operator's Manual



Read the Operator's Manual entirely. When you see this symbol, the subsequent instructions and warnings are serious follow without exception. Your life and the lives of others depend on it!

PARTS DIAGRAM / EXPLODED VIEW



KEY	PRODUCT	DESCRIPTION	QTY
(1)	BNDLCART	BUNDLE CART FRAME	2
(2)	RLLPLTFRM	RLLPLTFRM	1

ASSEMBLY INSTRUCTIONS

SPECIAL NOTES:

- Build on flat and level ground
- Avoid tightening bolts down completely until the rack is fully assembled

Hardware pack is included in the RLLPLTFRM including:

- Hex Bolt M12x60: 8 pcs
- Spring Washer 12: 8 pcs
- Hex Bolt M12: 8 pcs
- Flat Washer 12: 8 pcs

ATTACH BUNDLE CART ON ROLLER PLATFORM

1. Lay RLLPLTFRM (2) flat on the ground.
2. Place the BUNDLE FRAME (1) in the upright position on each end of the RLLPLTFRM (2).
3. Align the holes of the BUNDLE FRAME (1) with the holes of RLLPLTFRM (2) on 4 sides.
4. Fasten the BUNDLE FRAME (1) and RLLPLTFRM (2) using HEX BOLT M12X60, FLAT WASHER 12, SPRING WASHER 12, and HEX NUT M12.
 - a. The order of assembling is to push HEX BOLT M12x60 through the holes, and then and then place FLAT WASHER 12, SPRING WASHER 12 and HEX NUT M12 onto the end of the bolt. Fasten the hardware on, but DO NOT tighten until the whole rack is fully assembled.

ACKNOWLEDGEMENT OF RISK AND RELEASE OF LIABILITY

The use of any equipment, including this one, involves the potential risk of injury. Apart from any warranty claim that might be presented for a claimed defect in material or workmanship of the product, you accept and assume full responsibility for any and all injuries, damages (both economic and non-economic), and losses of any type, which may occur, and you fully and forever release and discharge Titan, its insurers, employees, officers, directors, associates, and agents from any and all claims, demands, damages, rights of action, or causes of action, present or future, whether the same be known or unknown, anticipated, or unanticipated, resulting from or arising out of the use of said equipment.

This equipment must be used with care by capable and competent individuals under supervision, if necessary.

TITAN LIMITED WARRANTY: TERMS, EXCLUSIONS AND LIMITATIONS OF REMEDIES

This product comes with a one (1) year limited warranty that can be found at www.palletforks.com/warranty.html. Please review the same for all details regarding the Titan Limited Warranty.

THE TITAN LIMITED WARRANTY FOUND AT WWW.PALLETFORKS.COM/WARRANTY.HTML IS EXCLUSIVE AND IS IN LIEU OF ALL OTHER WARRANTIES, EXPRESS OR IMPLIED, INCLUDING ANY IMPLIED WARRANTY OF MERCHANTABILITY AND/OR FITNESS FOR A PARTICULAR PURPOSE, EACH OF WHICH IS HEREBY DISCLAIMED.



NEED HELP? CONTACT US FIRST.

1-800-605-7595

info@palletworks.com

www.palletforks.com

© 2021 Titan Brands