

WOODEN TOP 7 DRAWER MOBILE WORK BENCH

TVFY-718XL

840130



Operator's Manual



Read the Operator's Manual entirely. When you see this symbol, the subsequent instructions and warnings are serious follow without exception. Your life and the lives of others depend on it!

1. PURPOSE

- 1.1 Wooden Top Open Sided Mobile Tool Cabinet TITAN TCFY-718XL (hereinafter - cart or product) is designed for storing and transporting tools, instruments and other accessories required for work on the shop floor and in the workshops of factories and industrial enterprises.
- 1.2 In the left side of the cart there are 7 drawers with different volume, which are closed with a central lock. In the right side of the cart, there is a storage rack with 3 shelves. The cart body is mounted on four heavy duty casters.
- 1.3 The cart is designed for operation at the ambient air temperature from +1°C to +40°C and humidity not exceeding 80%.

2. TECHNICAL CHARACTERISTICS

Cart dimensions (L*W*H)	1177 x528x1011mm
Material Thickness	1.0-2.0mm
Smaller drawer size	574x400x72mm
Bigger drawer size	574x400x150mm
Max. load per smaller drawer	50kg
Max. load per bigger drawer	65kg
Overall load capacity	450kg
Cart weight	95kg
Fixed caster (Diameter)	125mm
Swivel caster with brake(Diameter)	125mm

3. SUPPLIED PACKAGE

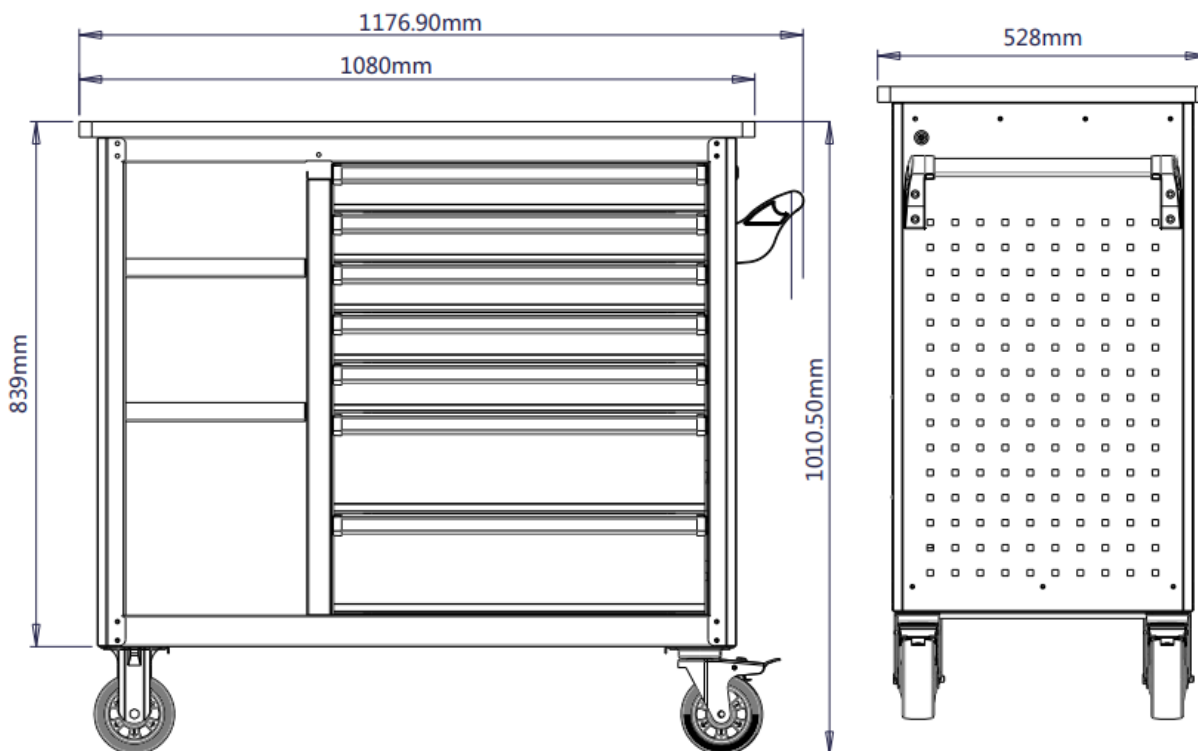
Name	Quantity
Cart body	1
Handle	1 with 4 bolts
Fixed caster	2
Swivel caster with brake	2
M8 Bolt	16
Washer	16
Pothead	10

4. DESIGN AND PRINCIPLE OF OPERATION

- 4.1 The cart consists of several elements listed in clause 3 of this manual, which in assembled represents a mobile cart which is designed for the use according to clause 1.
- 4.2 The cart is a body with drawers lockable by a central lock at the side panel, near the handle. The trolley has a four-wheeled body, two wheels are fixed, and two wheels are pivoting with a brake. The cart is moved by means of a handle attached to the body

5. SAFETY

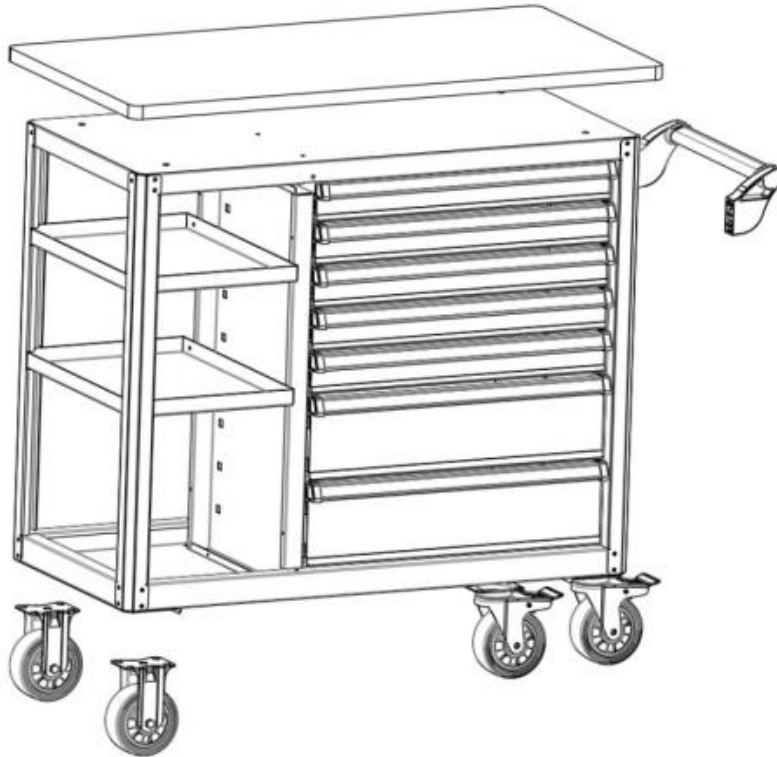
- 5.1 In stationary position (turning casters locked with brake) the cart must be placed on level ground.
- 5.2 During assembly the safety rules must be observed.
- 5.3 During operation the components of the product must not be loaded with weights higher than the values specified in this manual.



PREPARATION FOR OPERATION AND INSTALLATION

6. PREPARATION FOR OPERATION

- 6.1 The products are delivered without casters. The following is the procedure for installing the casters.
- 6.2 Installation should be done on a level hard surface.



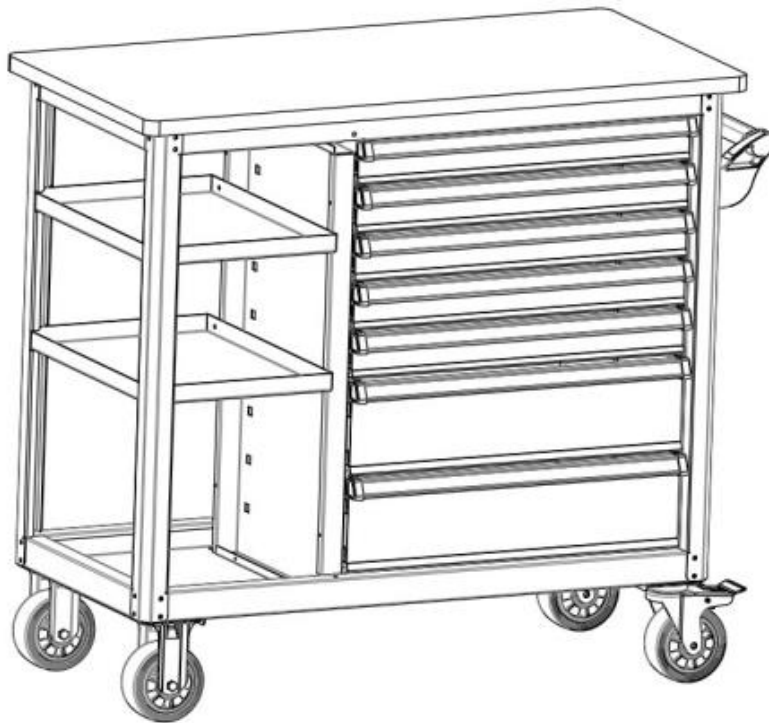
7. INSTALLATION.

- 7.1 Mounting the casters. Before setting up, take the casters out from the bottom drawer and install them underneath the side walls. Lie down the cart body for easier to install the casters. The two casters with brake should be installed underneath the side wall near the handle. Take the caster and align the holes in the caster base with the holes in the bottom and fasten the caster to the enclosure bottom using four bolts through washers. Repeat for the other three casters.
- 7.2 Mounting handle Secure the handle with 4 bolts at the side wall.

MAINTENANCE, TRANSPORTATION, AND STORAGE

8. MAINTENANCE, TRANSPORTATION AND STORAGE

- 8.1 The coating applied on the external surfaces of the cart elements allows for wet cleaning. It is not allowed to use organic solvents and detergents containing abrasives for cleaning.
- 8.2 The products shall be transported in a packed form of transport in roofed vehicles and in containers.
- 8.3 Store the product in its original packaging at air temperature from -40°C to +40°C and relative humidity does not exceed 80%.
- 8.4 The guides on the boxes and the housing should be lubricated with Lithol-24 grease or other similar grease at intervals of one year.



The use of any equipment, including this one, involves the potential risk of injury. Apart from any warranty claim that might be presented for a claimed defect in material or workmanship of the product, you accept and assume full responsibility for any and all injuries, damages (both economic and non-economic), and losses of any type, which may occur, and you fully and forever release and discharge Titan, its insurers, employees, officers, directors, associates, and agents from any and all claims, demands, damages, rights of action, or causes of action, present or future, whether the same be known or unknown, anticipated, or unanticipated, resulting from or arising out of the use of said equipment.

This equipment must be used with care by capable and competent individuals under supervision, if necessary.

TITAN LIMITED WARRANTY: TERMS, EXCLUSIONS AND LIMITATIONS OF REMEDIES

This product comes with a one (1) year limited warranty that can be found at www.palletforks.com/warranty.html. Please review the same for all details regarding the Titan Limited Warranty.

THE TITAN LIMITED WARRANTY FOUND AT WWW.PALLETFORKS.COM/WARRANTY.HTML IS EXCLUSIVE AND IS IN LIEU OF ALL OTHER WARRANTIES, EXPRESS OR IMPLIED, INCLUDING ANY IMPLIED WARRANTY OF MERCHANTABILITY AND/OR FITNESS FOR A PARTICULAR PURPOSE, EACH OF WHICH IS HEREBY DISCLAIMED.



NEED HELP? CONTACT US FIRST.

1-800-605-7595

info@palletworks.com
www.palletforks.com

© 2021 Titan Brands