

PARK-STYLE CHARCOAL GRILL

ParkGrillv2
899236



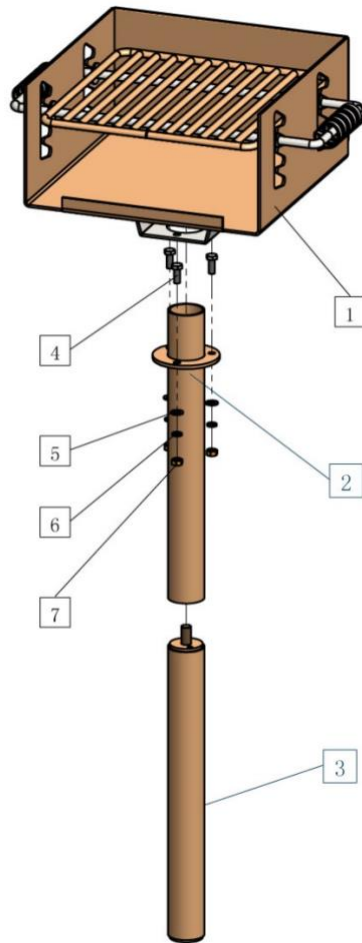
Operator's Manual



Read the Operator's Manual entirely. When you see this symbol, the subsequent instructions and warnings are serious follow without exception. Your life and the lives of others depend on it!

TITAN
GREAT OUTDOORS

PARTS DIAGRAM / EXPLODED VIEW

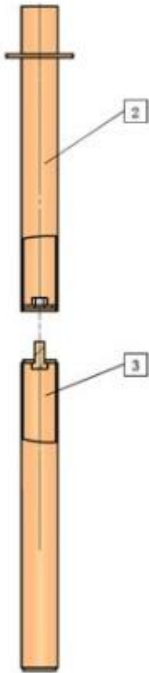


KEY	DESCRIPTION	QTY
(1)	GRILL BOX	1
(2)	UPPER POST	1
(3)	LOWER POST	1
(4)	HEX BOLT M10X25	3
(5)	FLAT WASHER 10	3
(6)	SPRING WASHER 10	3
(7)	HEX NUT M10	3

ASSEMBLY INSTRUCTIONS

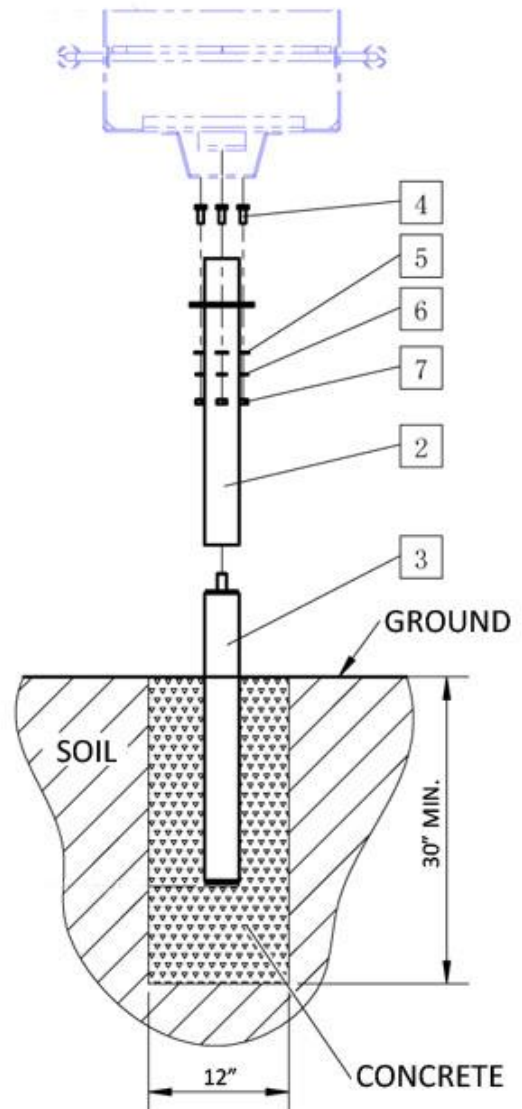
1. Connect Upper Post to Lower Post

- a. Screw Upper Post (2) onto Lower Post (3) and tighten.



2. FOUNDATION WORK

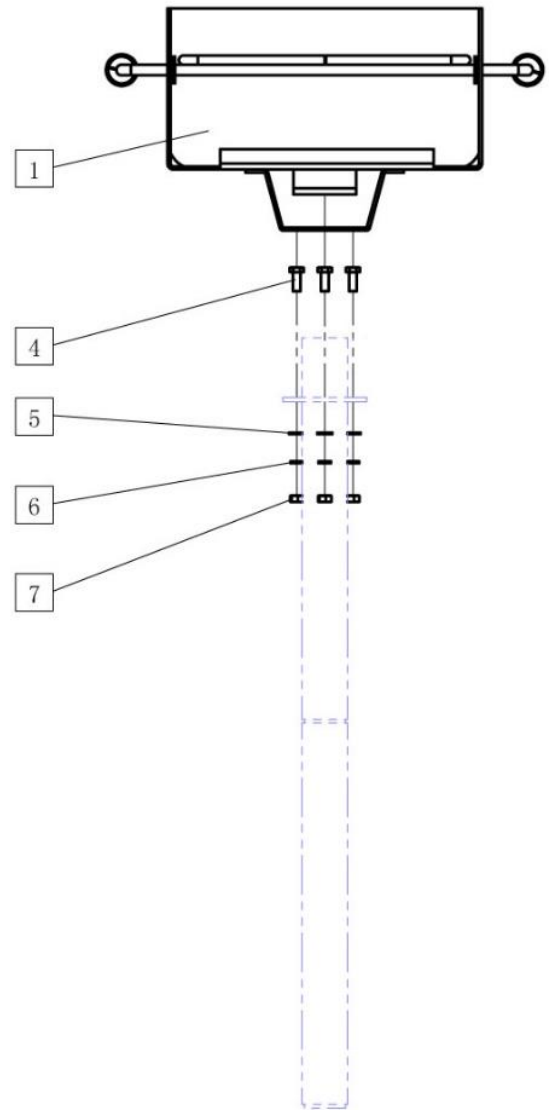
- a. Use a post hole digger to dig a hole with minimum diameter of 12" by 30" deep and fill the hole with concrete.
- b. Push the Post into concrete for minimum 10" deep, leaving about 30" above the ground. It is very important to make sure that the post is plumbed vertically. Do not install the Grill Box (1) on Post until concrete is fully cured.



ASSEMBLY INSTRUCTIONS

3. INSTALLING GRILL BOX ON POST

- a. Make sure that the concrete holding the Post is fully cured. Align the bottom bracket holes of Grill Box (1) with flange holes of the Upper Post (2) at Post top. Lock the Grill Box (1) by using Hex Bolt M10x25 (4), Flat Washer 10 (5), Spring Washer 10 (6) and Hex Nut M10 (7). The order of assembling is to push Hex Bolt M10x25 (4) through the holes, and then and then place FLAT WASHER 10 (5), SPRING WASHER 10 (6) and HEXA NUT M10 (7) onto the end of the bolt. Fasten all hardware.



4. ROLLING BASE

For customers who has purchased the rolling base (PGBW), a shorter 10" upper post is available as an optional Accessory to replace the 20" regular post that comes with the standard unit.

ACKNOWLEDGEMENT OF RISK AND RELEASE OF LIABILITY

The use of any equipment, including this one, involves the potential risk of injury. Apart from any warranty claim that might be presented for a claimed defect in material or workmanship of the product, you accept and assume full responsibility for any and all injuries, damages (both economic and non-economic), and losses of any type, which may occur, and you fully and forever release and discharge Titan, its insurers, employees, officers, directors, associates, and agents from any and all claims, demands, damages, rights of action, or causes of action, present or future, whether the same be known or unknown, anticipated, or unanticipated, resulting from or arising out of the use of said equipment.

This equipment must be used with care by capable and competent individuals under supervision, if necessary.

WARNING



Heavy object. Use lifting aids and proper lifting techniques when moving.



Choking hazard. Small parts – Please exercise caution if small children or pets are present.



Sharp objects may be involved. Use precaution and protection.

TITAN LIMITED WARRANTY: TERMS, EXCLUSIONS AND LIMITATIONS OF REMEDIES

This product comes with a one (1) year limited warranty that can be found at www.titangreatoutdoors.com/warranty.html. Please review the same for all details regarding the Titan Limited Warranty.

THE TITAN LIMITED WARRANTY FOUND AT WWW.TITANGREATOUTDOORS.COM/WARRANTY.HTML IS EXCLUSIVE AND IS IN LIEU OF ALL OTHER WARRANTIES, EXPRESS OR IMPLIED, INCLUDING ANY IMPLIED WARRANTY OF MERCHANTABILITY AND/OR FITNESS FOR A PARTICULAR PURPOSE, EACH OF WHICH IS HEREBY DISCLAIMED.



NEED HELP? CONTACT US FIRST.

1-888-794-1455

info@titangreatoutdoors.com

www.titangreatoutdoors.com

© 2021 Titan Brands