

3PT REAR BLADES

**84REARBLADE, 96REARBLADE, 84REARBLADE-HTREARBLADE,
96REARBLADE-HTREARBLADE
191564, 191565, 191627, 191628**



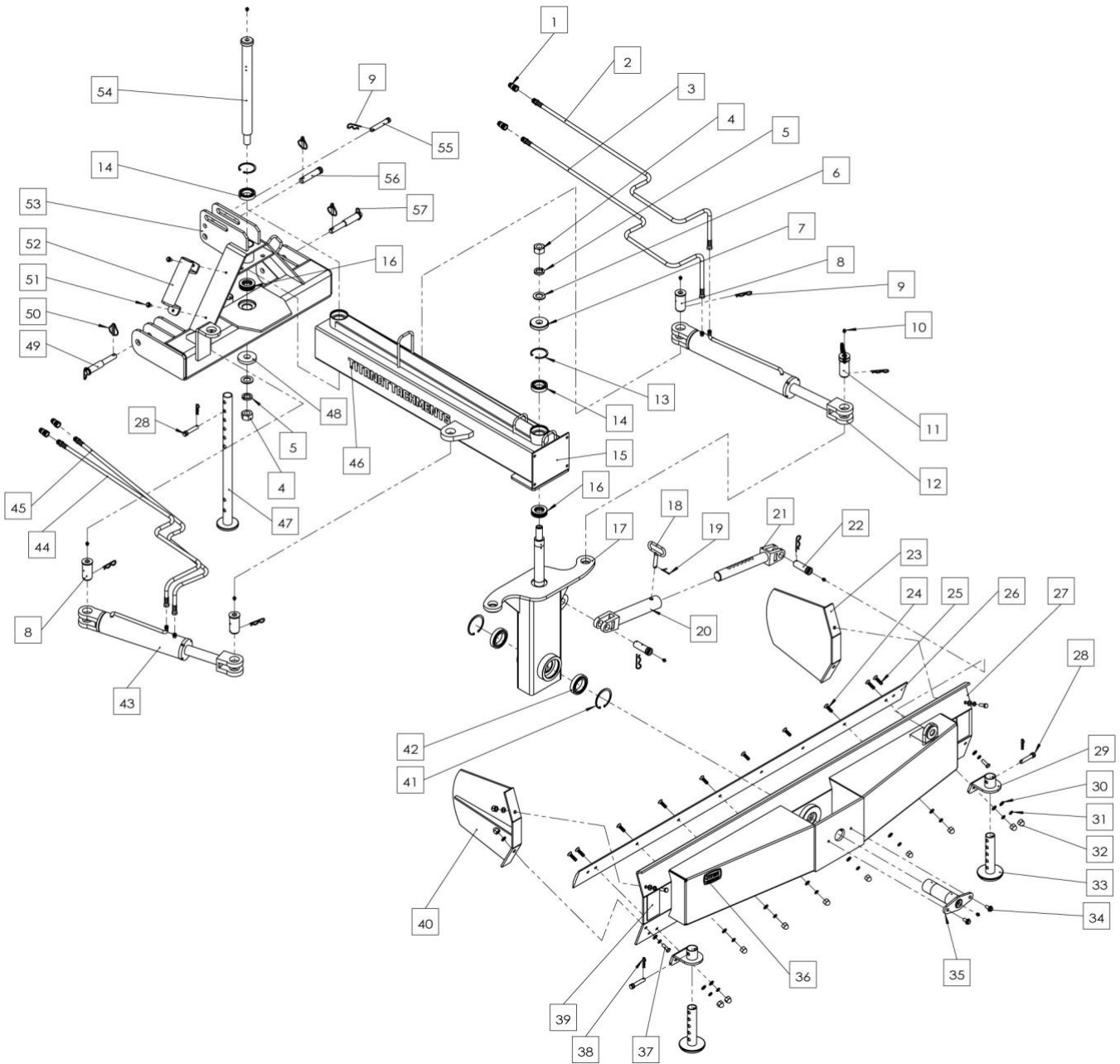
Operator's Manual



Read the Operator's Manual entirely. When you see this symbol, the subsequent instructions and warnings are serious follow without exception. Your life and the lives of others depend on it!

PARTS DIAGRAM / EXPLODED VIEW

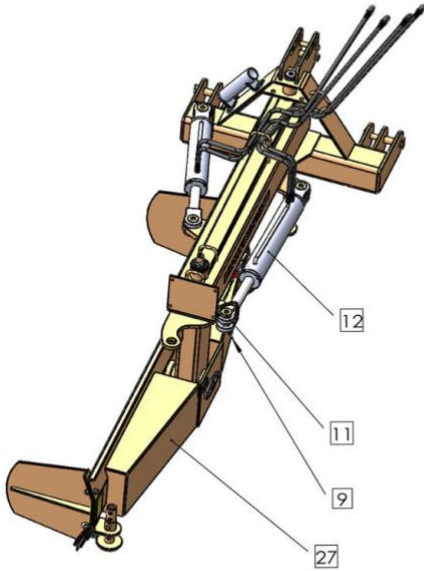
THE REAR BLADE COMES OPTIONAL WITH A MANUAL TILT CYLINDER OR A HYDRAULIC CYLINDER



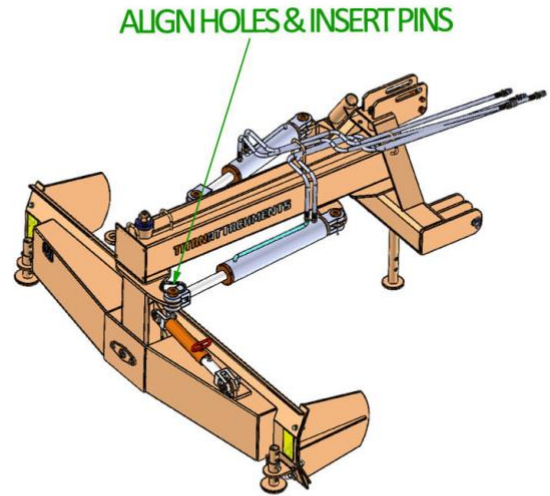
KEY	DESCRIPTION	QTY	KEY	DESCRIPTION	QTY
(1)	PIONEER COUPLER - MALE	4	(30)	FLAT WASHER M12	18
(2)	BLADE SWING CYLINDER RETURN HOSE	1	(31)	SPRING WASHER M12	14
(3)	BLADE SWING CYLINDER FEED HOSE	1	(32)	HEX CAP NUT M12	14
(4)	HEX BOLT M30	2	(33)	SKID SHOE	2
(5)	SPRING WASHER M30	2	(34)	HEX FLANGE BOLT M12x25	2
(6)	FLAT WASHER M30	3	(35)	KING PIN	1
(7)	PIN SHAFT SPACER-1 (YYTDQ-15)	1	(36)	TITAN LOGO-1	1
(8)	PIN SHAFT-1 (XTREE06)	3	(37)	HEX BOLT M12x35	4
(9)	COTTER PIN 4x70	7	(38)	COTTER PIN 4x50	3
(10)	GREASE ZERK M10x1	9	(39)	REFLECTOR	2
(11)	PIN SHAFT-2 (WITH HANDLE RING)	1	(40)	BLADE END MUD FENDER- LEFT	1
(12)	BLADE SWING HYDRAULIC CYLINDER	1	(41)	CIRCLIP-2 (95)	2
(13)	CIRCLIP-1 (75)	2	(42)	BALL BEARING 6012	2
(14)	BALL BEARING 6009	2	(43)	BOOM OFFSET HYDRAULIC CYLINDER	1
(15)	BOOM ASSY	1	(44)	BOOM OFFSET CYLINDER FEED HOSE	1
(16)	BEARING 51209	2	(45)	BOOM OFFSET CYLINDER RETURN HOSE	1
(17)	BLADE SWING PUSH FRAME	1	(46)	TITAN LOGO STICKER	2

(18)	PIN SHAFT-2 (ϕ 16Xx80x6)	1	(47)	LEG STAND	1
(19)	COTTER PIN 4x45	1	(48)	PIN SHAFT SPACER-2 (YYTDQ-16)	1
(20)	MANUAL TILT CYLINDER SLEEVE	1	(49)	3PT LOWR LINK CAT1/2 STEP PIN	2
(21)	MANUAL TILT CYLINDER ROD	1	(50)	LOCK PIN (ϕ 9.5)	3
(22)	PIN SHAFT-3	2	(51)	HEX FLANGE BOLT M10x20	2
(23)	BLADE END MUD FENDER- RIGHT	1	(52)	TOOL HOLDER	1
(24)	COUNTERSUNK HEX BOLT M12x40	6	(53)	3PT LINK MOUNT FRAME	1
(25)	COUNTERSUNK HEX BOLT M12x45	4	(54)	PIN SHAFT-4 (BOOM PIVOT)	1
(26)	CUTTING EDGE ASSY	1	(55)	3PT TOP LINK CAT1 PIN	1
(27)	REAR BLADE ASSY	1	(56)	3PT TOP LINK CAT2 PIN	1
(28)	PIN SHAFT-4	3	(57)	PIN HANDLE RING	2
(29)	SKID SHOE MOUNTING BRACKET	2			

ASSEMBLY INSTRUCTIONS



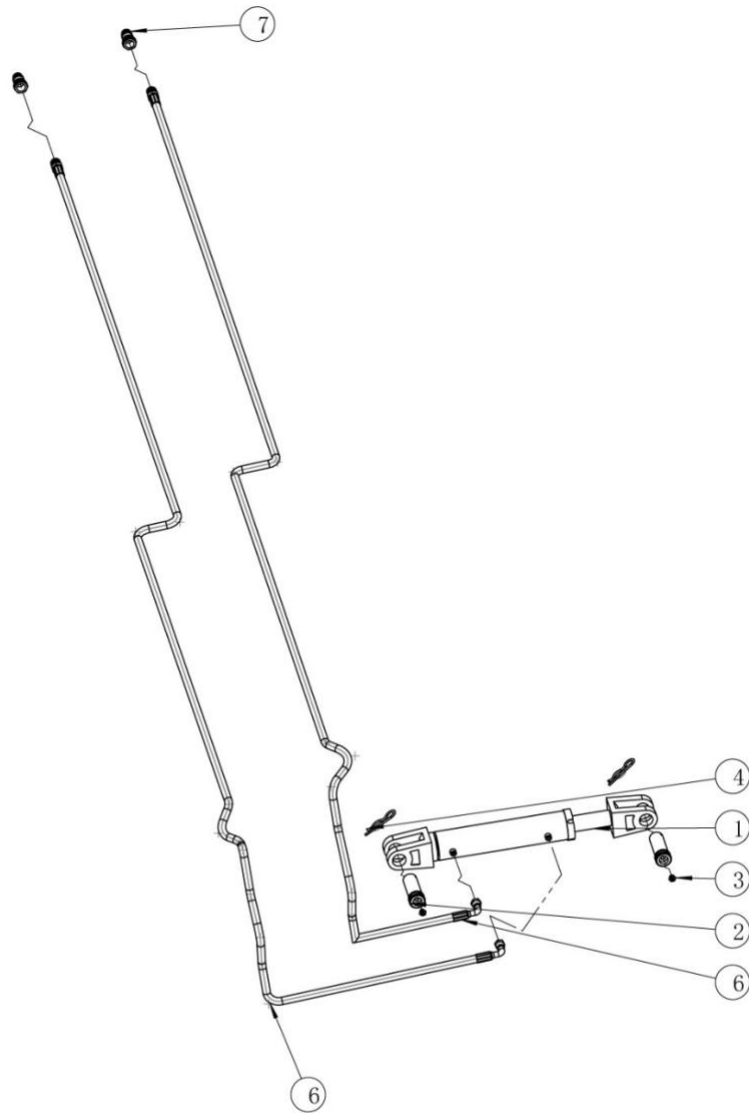
SHIPPING CONDITION



FULLY ASSEMBLED

- This product is shipped with the **BLADE SWING CYLINDER (12)** detached from the **REAR BLADE ASSY (27)**.
- Upon receiving shipment, take off **PIN SHAFT-2 (11)** and **COTTER PIN (9)** from **BLADE SWING CYLINDER (12)**.
- Turn the **REAR BLADE ASSY (27)** **90** and align pin holes of the **BLADE SWING CYLINDER (12)** with the **REAR BLADE ASSY (27)**.
- Insert **PIN SHAFT-2 (11)** through the holes and then insert **COTTER PIN (9)** to secure the assembly.

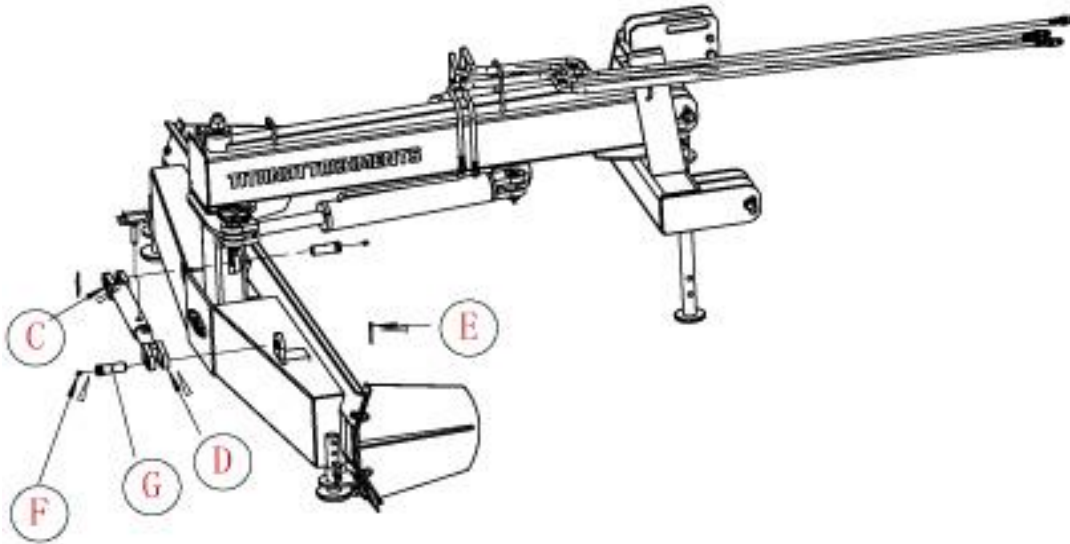
HYDRAULIC TILT CYLINDER PARTS DIAGRAM / EXPLODED VIEW



KEY	BOX	DESCRIPTION	QTY
(1)		HYDRAULIC TILT CYLINDER	1
(2)		CYLINDER PIN	2
(3)		GREASE ZERK	2
(4)		COTTER PIN	2
(5)		OIL HOSE - FEED	1
(6)		OIL HOSE - RETURN	1
(7)		PIONEER COUPLER	2

ASSEMBLY INSTRUCTIONS

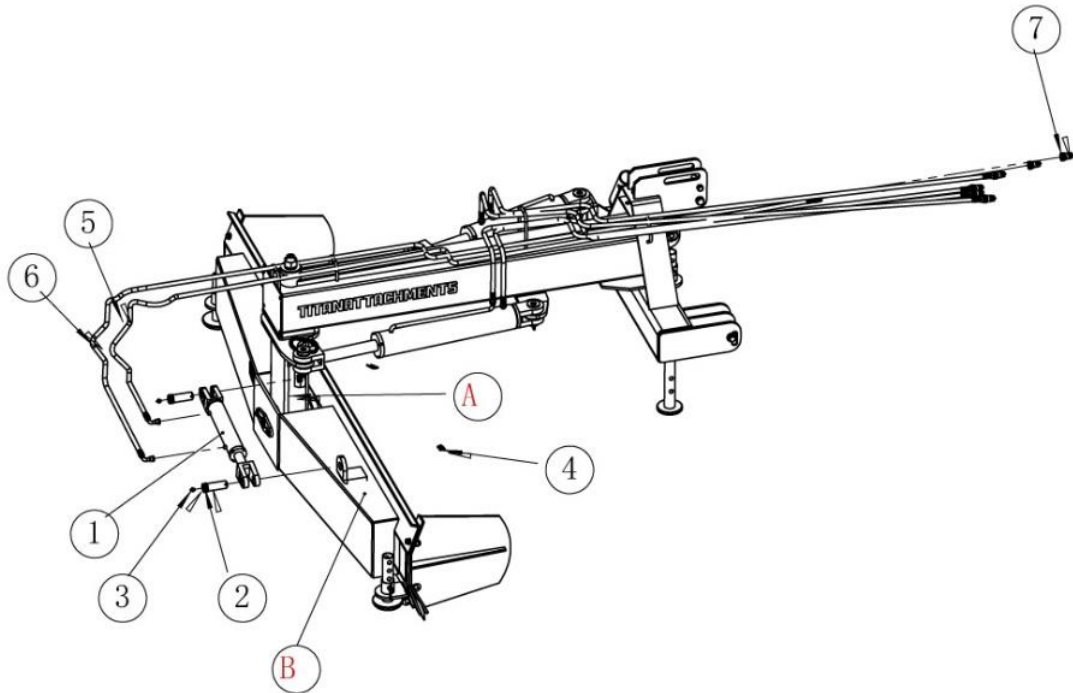
STEP 1 - REMOVE MANUAL TILT CYLINDER



A	BLADE SWING FRAME
B	REAR BLADE ASSY
C	MANUAL TILT CYLINDER SLEEVE
D	MANUAL TILT CYLINDER ROD
E	COTTER PIN
F	GREASE ZERK
G	CYLINDER PIN

- Your REAR BLADE unit (84REARBLADE or 96REARBLADE) is equipped with a **MANUAL TILT CYLINDER (C) (D)**. Remove the MANUAL TILT CYLINDER by taking off **COTTER PIN (E)**, **GREASE ZERK (F)** and **CYLINDER PIN (G)**.

STEP 2 – REPLACE WITH HYDRAULIC TILT CYLINDER



- Align pin holes of **HYDRAULIC TILT CYLINDER (1)** with mounting bracket at **BLADE SWING FRAME (A)**.
- Insert **CYLINDER PIN (2)** through these holes, mount on **COTTER PIN (4)** and fasten-on **GREASE ZERK (3)**.
- Repeat the same step for the other end of the cylinder on the mounting bracket at **REAR BLADE ASSY (B)**.
- Fasten on **OIL HOSE - FEED (5)** and **OIL HOSE - RETURN (6)** to the cylinder, and then mount on **PIONEER COUPLER (7)** to **OIL HOSE - FEED (5)** and **OIL HOSE - RETURN (6)** respectively

ACKNOWLEDGEMENT OF RISK AND RELEASE OF LIABILITY

The use of any equipment, including this one, involves the potential risk of injury. Apart from any warranty claim that might be presented for a claimed defect in material or workmanship of the product, you accept and assume full responsibility for any and all injuries, damages (both economic and non-economic), and losses of any type, which may occur, and you fully and forever release and discharge Titan, its insurers, employees, officers, directors, associates, and agents from any and all claims, demands, damages, rights of action, or causes of action, present or future, whether the same be known or unknown, anticipated, or unanticipated, resulting from or arising out of the use of said equipment.

This equipment must be used with care by capable and competent individuals under supervision, if necessary.

TITAN LIMITED WARRANTY: TERMS, EXCLUSIONS AND LIMITATIONS OF REMEDIES

This product comes with a one (1) year limited warranty that can be found at www.palletforks.com/warranty.html. Please review the same for all details regarding the Titan Limited Warranty.

THE TITAN LIMITED WARRANTY FOUND AT WWW.PALLETFORKS.COM/WARRANTY.HTML IS EXCLUSIVE AND IS IN LIEU OF ALL OTHER WARRANTIES, EXPRESS OR IMPLIED, INCLUDING ANY IMPLIED WARRANTY OF MERCHANTABILITY AND/OR FITNESS FOR A PARTICULAR PURPOSE, EACH OF WHICH IS HEREBY DISCLAIMED.



NEED HELP? CONTACT US FIRST.

1-800-605-7595

info@palletworks.com
www.palletforks.com

© 2021 Titan Brands