

# ATV FRONT + REAR DROP CARGO BASKET

---

**FB2020+DDB2010**

**332021**



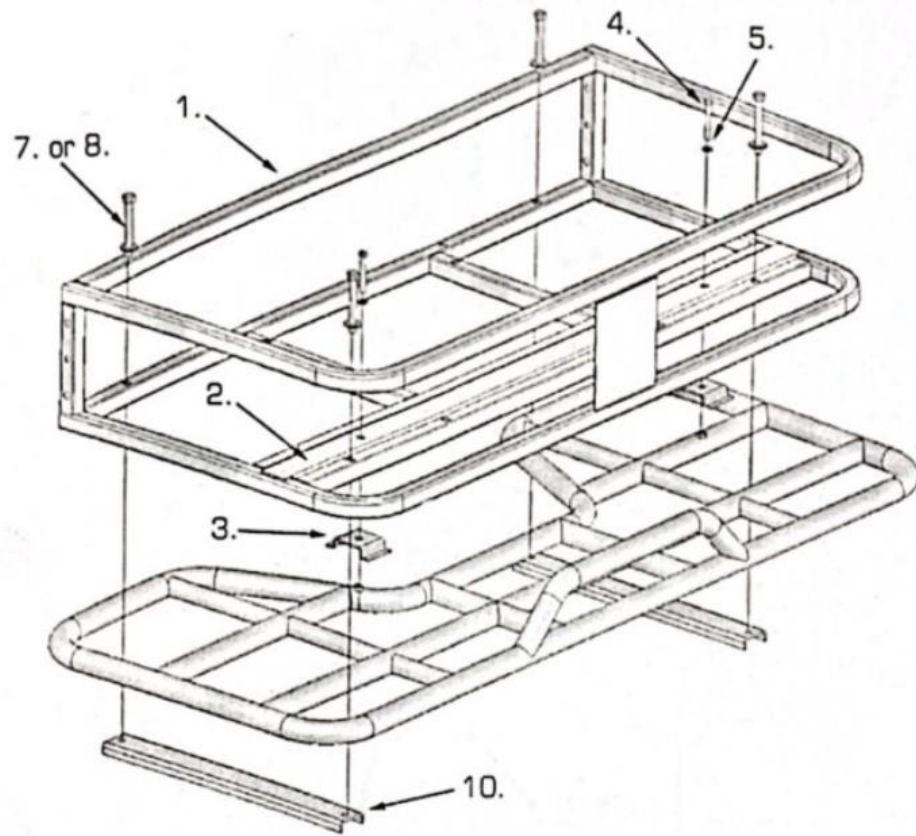
## Operator's Manual



Read the Operator's Manual entirely. When you see this symbol, the subsequent instructions and warnings are serious follow without exception. Your life and the lives of others depend on it!

**TITAN**  
RAMPS

**FRONT CARGO PARTS DIAGRAM / EXPLODED VIEW**



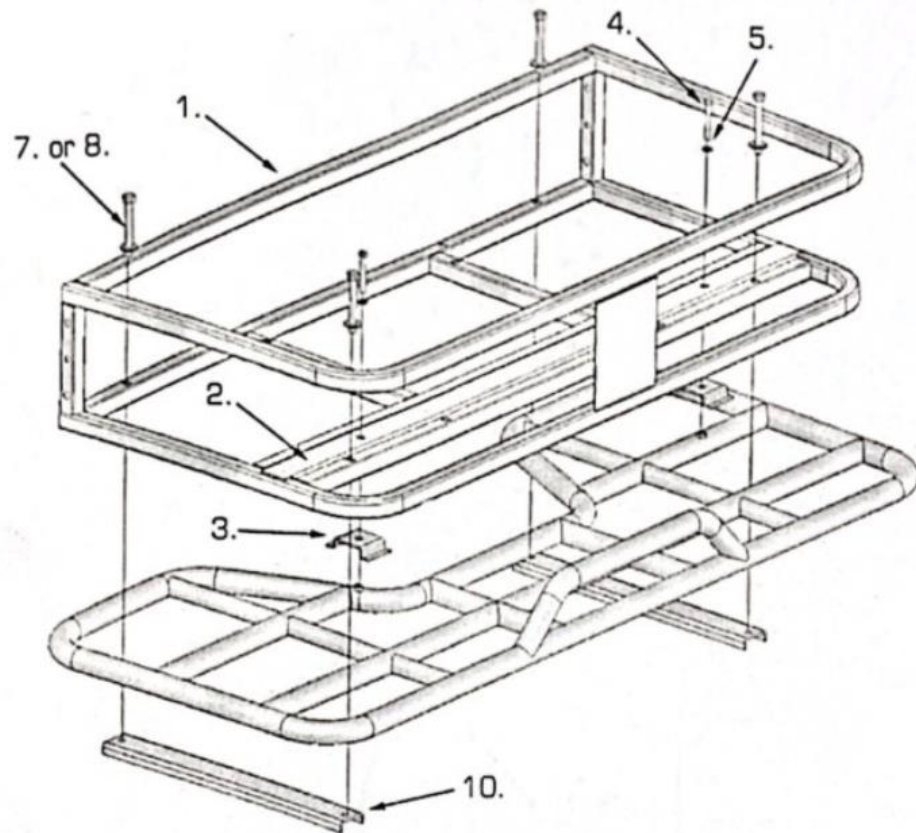
KEY	BOX	DESCRIPTION	QTY
(1)	1	FRONT BASKET	1
(2)	1	FILLER CLAMP	1
(3)	1	FILLER BRACKETS	2
(4)	1	1/4" X 3/4" BOLTS	2
(5)	1	1/4" FLAT WASHERS	2
(6)	1	1/4" LOCK NUTS	2
(7)	1	5/16"X2" BOLTS	4
(8)	1	5/16"X3" BOLTS	4
(9)	1	5/16" FLAT WASHERS	4
(10)	1	MOUNTING BRACKETS	2

**NOTE:** Hardware May Be Metric – Additional Hardware should be purchased for different mounting\*

## FRONT CARGO ASSEMBLY/MOUNTING INSTRUCTIONS (Recommended Mounting)

---

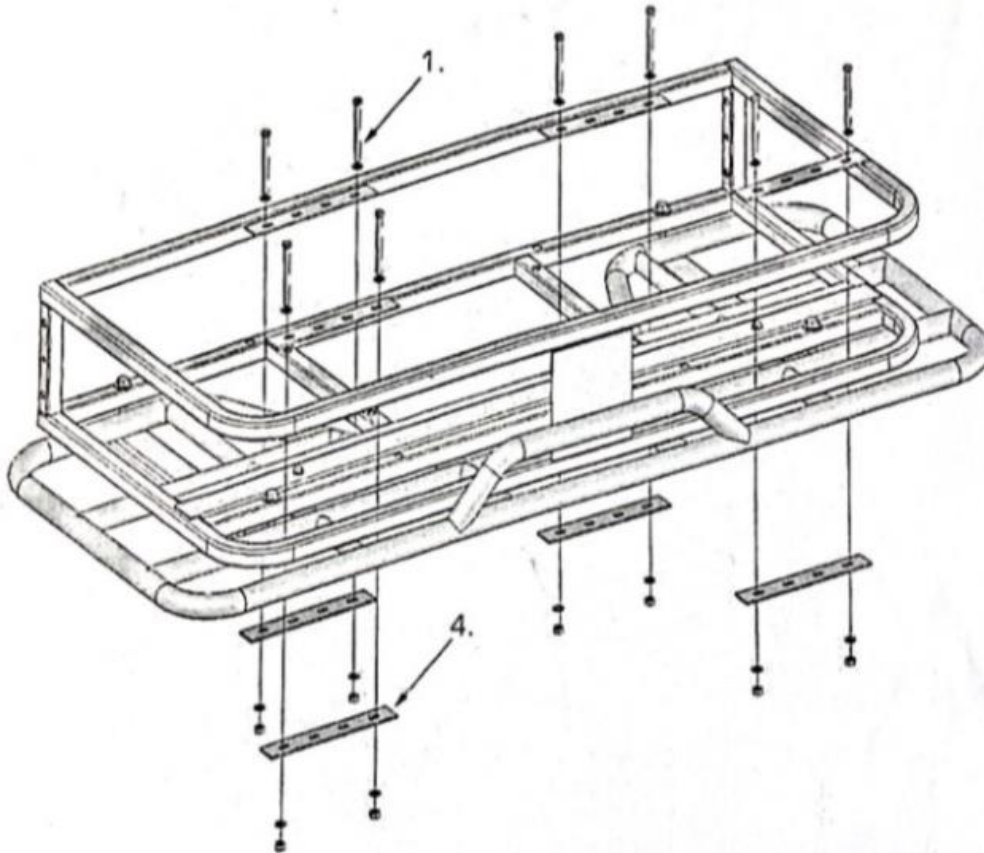
1. If you are mounting the basket on a metal rack with front stop bar, as shown, remove the filler clamp and hardware prior to mounting basket on your ATV rack.
2. Position the basket on top of your ATV rack. Center the basket so the handlebars move freely.
3. Position the mounting plates under your ATV rack so the holes line up with the holes of the basket. Final position of the mounting plates depends on the type of ATV rack you have.
4. Insert (4) 5/16 Bolt through (4) 5/16 washers, and basket holes above the mounting brackets. Lightly tighten bolts. \* Note, Bolt length- 2" or 3" used is determined by the thickness of your ATV rack.
5. Make sure the basket is aligned evenly on your ATV rack and securely tighten the bolts from the previous step.
6. Install tube plugs if not already installed.



## FRONT CARGO MOUNTING INSTRUCTIONS (Optional Mounting)

---

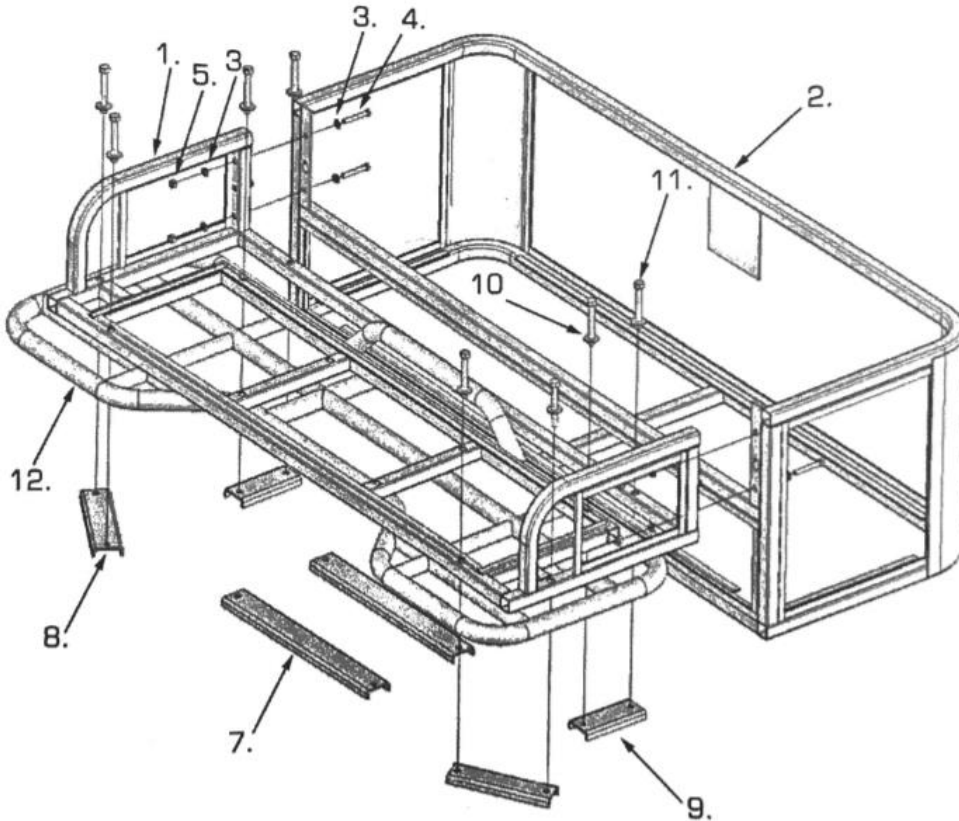
1. Position the basket so it is centered on the front rack of the ATV.
2. Using (2) Mounting Brackets, (2) ¼" Bolts, (2) Lock nuts, and (4) ¼" Flat washers, secure the basket to ATV rack as shown. Assure the bracket on the top of the basket is positioned over the square tubing of the basket frame and lower bracket is positioned under tubing of the ATV rack. Bolts must be installed on both sides of the tubing for proper clamping. \*Note – As the bolts are tightened the expanded metal will deform.
3. Repeat previous step until all four sets of brackets holding the basket are in place. Space the remaining brackets evenly over the surface of the basket. \* Note – The Orientation of the mounting brackets may change depending on the type of ATV rack you have.
4. Check basket alignment and make sure all hardware is securely fastened.



KEY	BOX	DESCRIPTION	QTY
(1)	1	¼" BOLTS	8
(2)	1	¼" FLAT WASHERS	16
(3)	1	¼" LOCK NUTS	8
(4)	1	MOUNTING BRACKETS	8

**NOTE:** Hardware May Be Metric – Additional Hardware should be purchased for different mounting\*

**REAR DROP PARTS DIAGRAM / EXPLODED VIEW**



KEY	BOX	DESCRIPTION	QTY
(1)	1	BASKET RACK MOUNT	1
(2)	1	DROP BASKET RACK	1
(3)	1	FLAT WASHER, 1/2" OD	8
(4)	1	1/4-20X1 1/2 BOLT	4
(5)	1	1/4-20 LOCK NUT	4
(6)	1	TUBE PLUGS (ALREADY INSTALLED)	6
(7)	1	MOUNTING PLATE - 11.75"	2
(8)	1	MOUNTING PLATE - 5.39"	2
(9)	1	MOUNTING PLATE - 3.00"	2
(10)	1	5/16 FLAT WASHER	8
(11)	1	5/16- 18X2 BOLT	8
(12)	1	YOUR ATV RACK	1

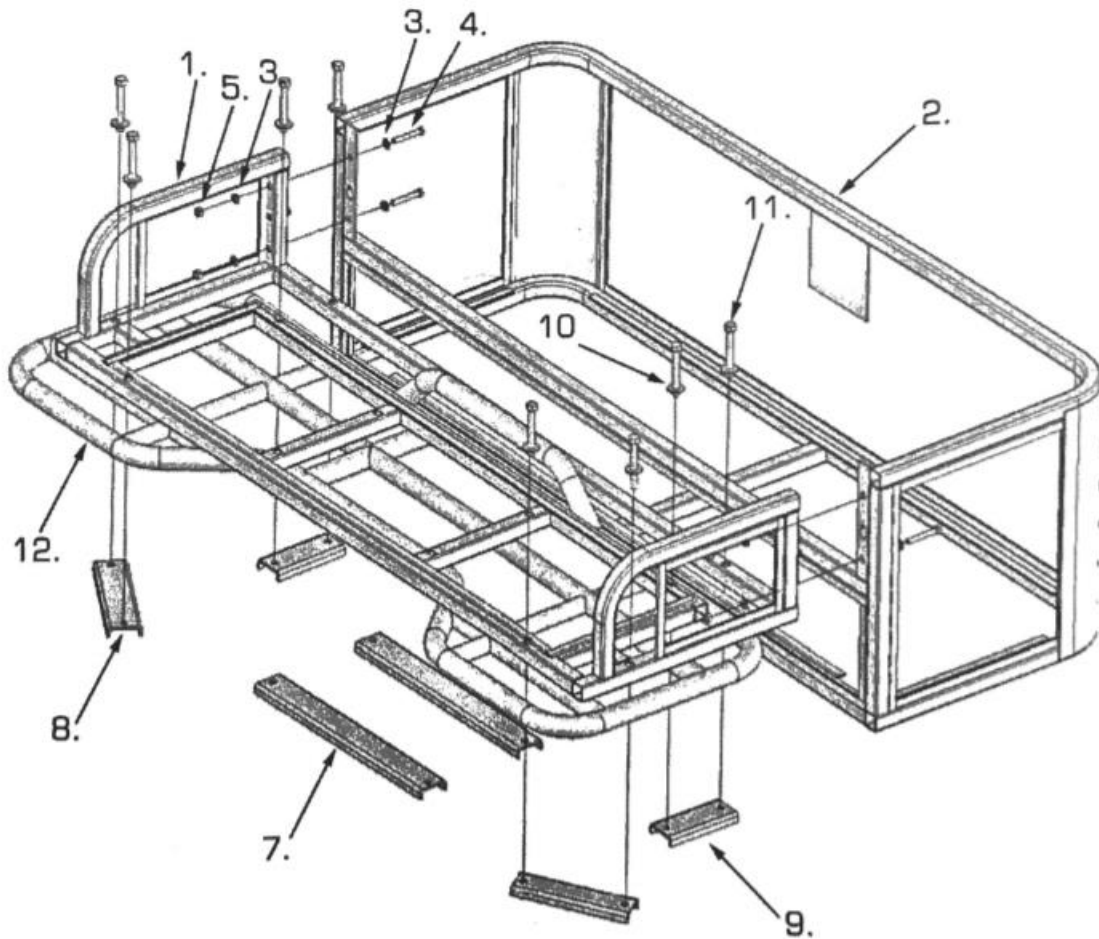
**NOTE:**

Hardware May Be Metric - Additional Hardware Should be Purchased for different mounting

## REAR DROP ASSEMBLY INSTRUCTIONS

---

1. Unpack all basket parts and identify them.
2. Position the basket rack mount so it is centered on the rear rack of the ATV. NOTE: Depending on the type and size of your ATV rack, the extension may have to be removed before the basket can be installed.
3. Position any two seats of mounting plates under the ATV rack so the mounting plate hole line up with the holes of the basket rack mount. Insert (8) 5/16-18 bolts through (8) washers, rack mount, and into the mounting plates. Do not tighten the bolts until all the bolts have been installed.
4. Align the rack mount evenly on the ATV rack and tighten bolts.
5. Obtain the drop basket back and mount to the rack mount. Secure it by using (4) 1/4-20x1/2 bolts, (8) 1/4" flat washers, and (4) 1/4" lock nuts.
6. Install tube plugs if not already installed.



## ACKNOWLEDGEMENT OF RISK AND RELEASE OF LIABILITY

---

The use of any equipment, including this one, involves the potential risk of injury. Apart from any warranty claim that might be presented for a claimed defect in material or workmanship of the product, you accept and assume full responsibility for any and all injuries, damages (both economic and non-economic), and losses of any type, which may occur, and you fully and forever release and discharge Titan, its insurers, employees, officers, directors, associates, and agents from any and all claims, demands, damages, rights of action, or causes of action, present or future, whether the same be known or unknown, anticipated, or unanticipated, resulting from or arising out of the use of said equipment.

This equipment must be used with care by capable and competent individuals under supervision, if necessary.

## TITAN LIMITED WARRANTY: TERMS, EXCLUSIONS AND LIMITATIONS OF REMEDIES

---

This product comes with a one (1) year limited warranty that can be found at [www.titanramps.com/warranty.html](http://www.titanramps.com/warranty.html). Please review the same for all details regarding the Titan Limited Warranty.

**THE TITAN LIMITED WARRANTY FOUND AT [WWW.TITANRAMPS.COM/WARRANTY.HTML](http://www.titanramps.com/warranty.html) IS EXCLUSIVE AND IS IN LIEU OF ALL OTHER WARRANTIES, EXPRESS OR IMPLIED, INCLUDING ANY IMPLIED WARRANTY OF MERCHANTABILITY AND/OR FITNESS FOR A PARTICULAR PURPOSE, EACH OF WHICH IS HEREBY DISCLAIMED.**



**NEED HELP? CONTACT US FIRST.**

**1-800-605-7555**

[info@titanramps.com](mailto:info@titanramps.com)  
[www.titanramps.com](http://www.titanramps.com)

© 2021 Titan Brands